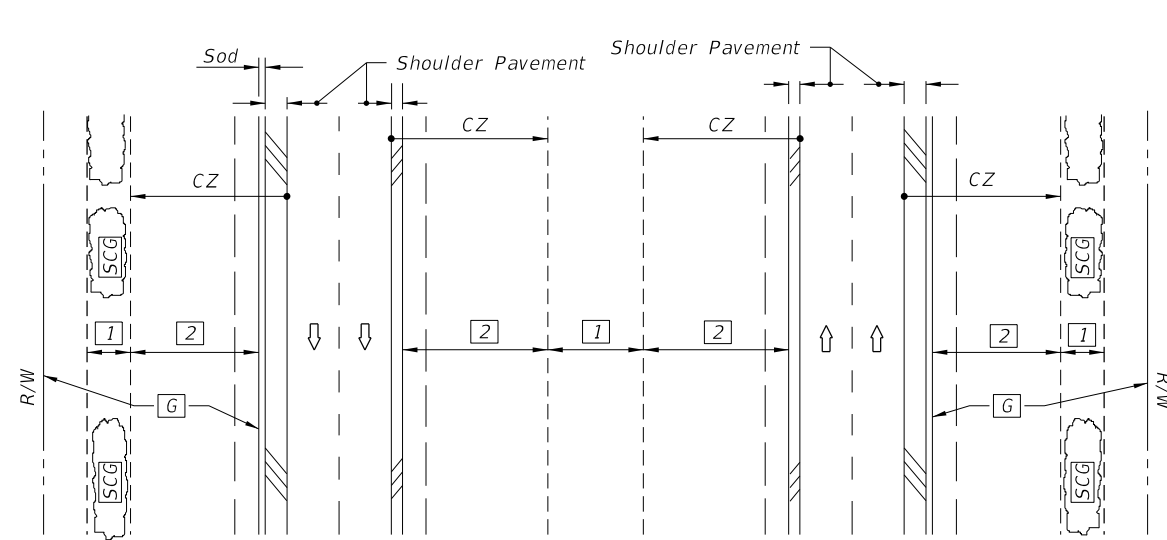
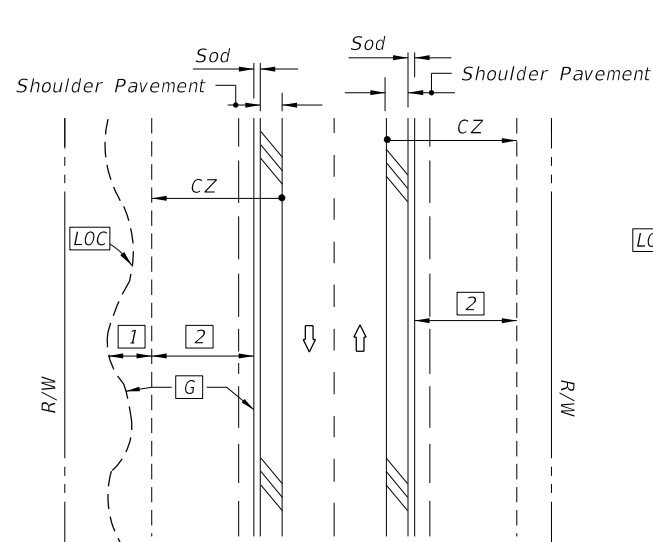


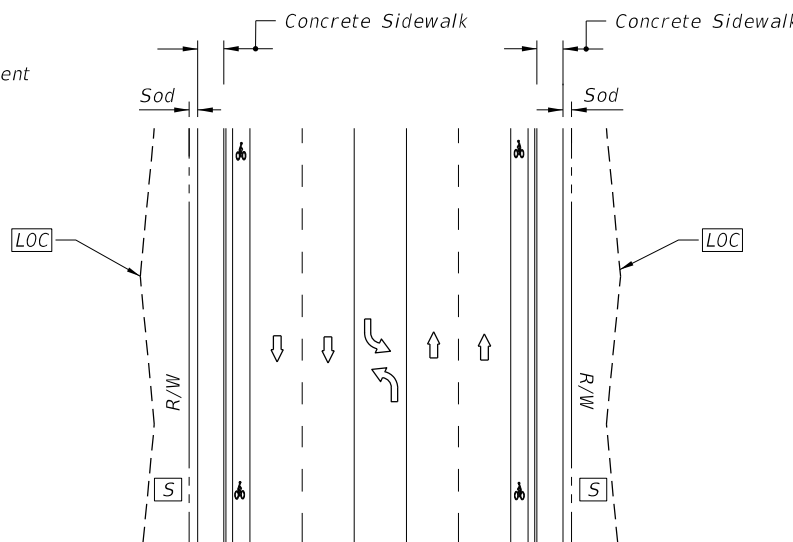
DIVIDED NARROW MEDIAN WITH OR WITHOUT CURBED MEDIAN



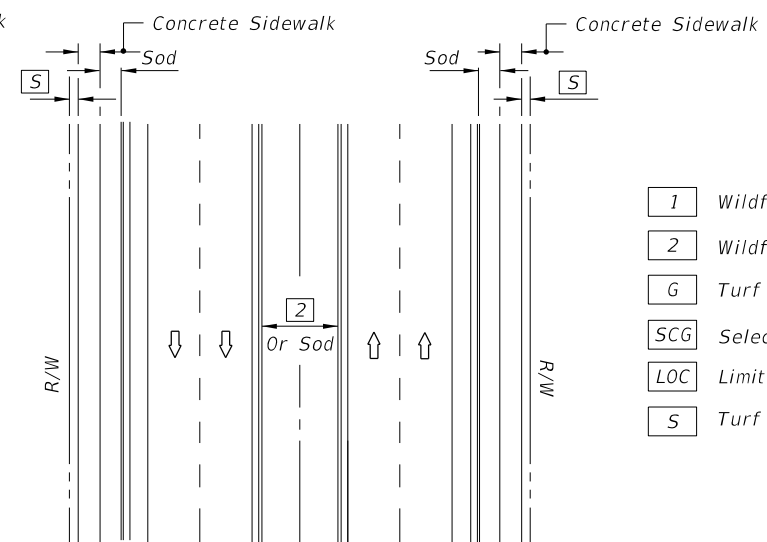
DIVIDED WIDE MEDIAN WITH OR WITHOUT CURBED MEDIAN



UNDIVIDED FLUSH SHOULDER



UNDIVIDED CURBED



DIVIDED CURBED

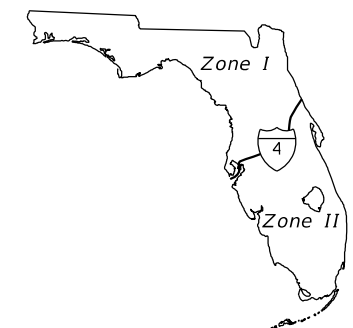
- LEGEND**
- 1 Wildflower Group #1
 - 2 Wildflower Group #2
 - G Turf (To Limit of Construction)
 - SCG Selective Clearing And Grubbing
 - LOC Limits Of Construction
 - S Turf

WILDFLOWER SEEDING RATES	
Common Name (Botanical Name)	lbs/ac
#1 Group	
Black-Eyed Susan (<i>Rudbeckia hirta</i>)	2
Lance-Leaf Tickseed (<i>Coreopsis lanceolata</i>)	10
Goldenmane Tickseed (<i>Coreopsis basalis</i>)	10
Leavenworth's Tickseed (<i>Coreopsis leavenworthii</i>)	10
Fire Wheel (<i>Gaillardia pulchella</i>)	10
Softhair Coneflower (<i>Rudbeckia mollis</i>)	2
Crimson Clover (<i>Trifolium incarnatum</i>)	15
#2 Group	
Annual Phlox (<i>Phlox drummondii</i>)	10
Moss Verbena (<i>Verbena tenuisecta</i>)	6
Leavenworth's Tickseed (<i>Coreopsis leavenworthii</i>)	10
Fire Wheel (<i>Gaillardia pulchella</i>)	10
Crimson Clover (<i>Trifolium incarnatum</i>)	15
Note: Wildflower seeding rates are for restoring impacted wildflower areas.	

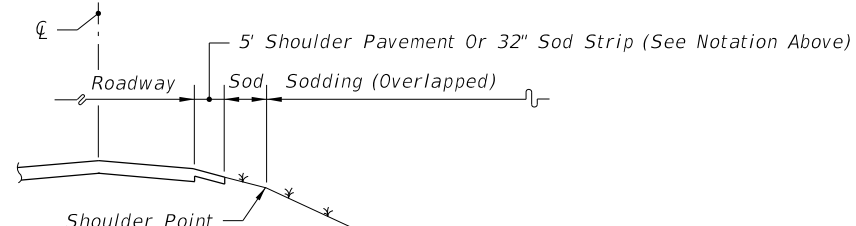
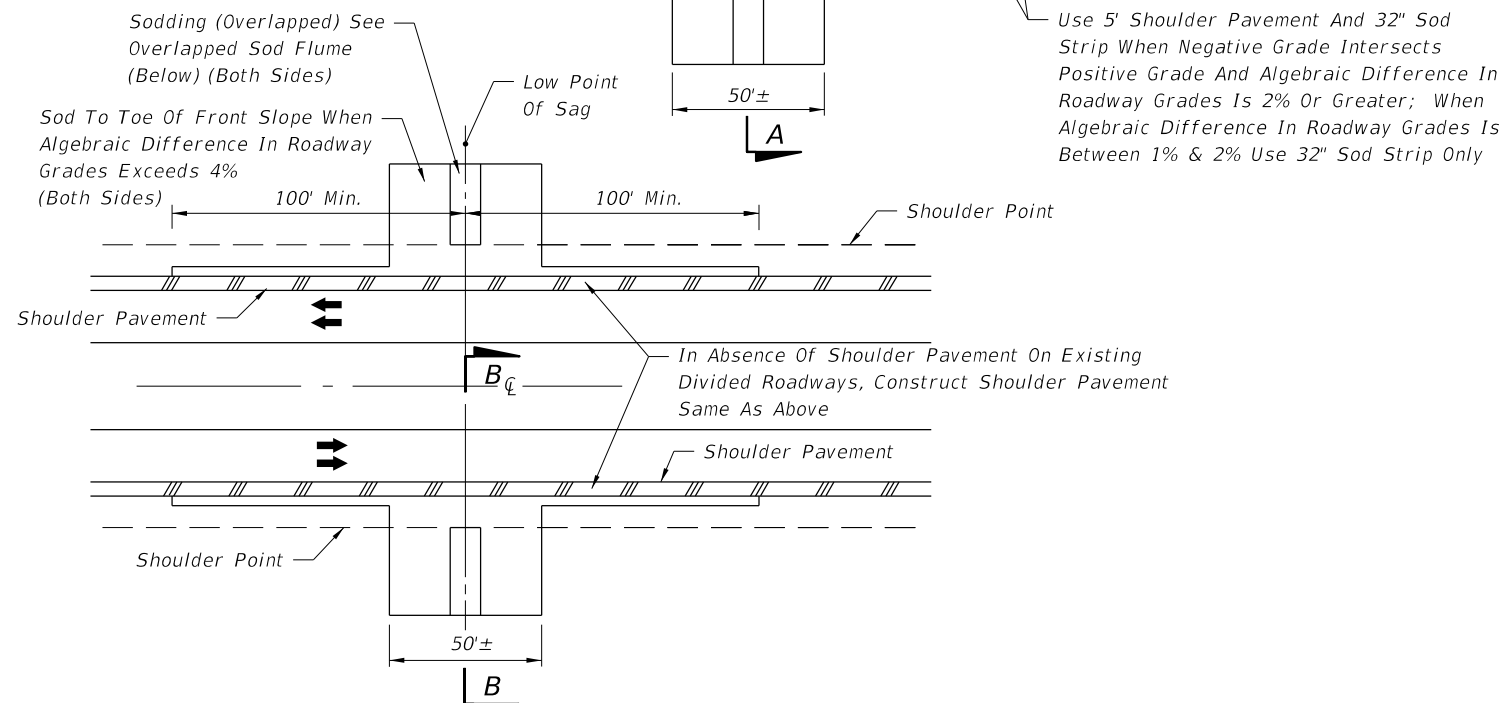
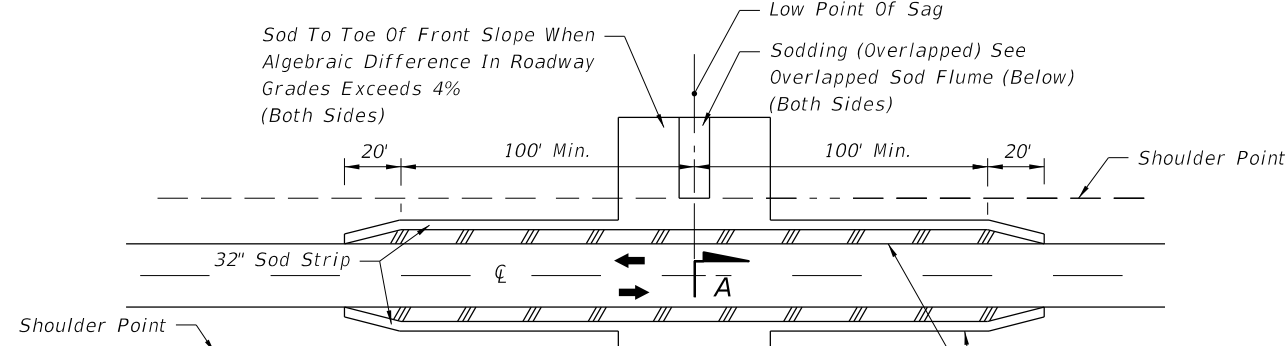
GENERAL NOTES

- All turf establishment shall be performed meeting the requirements of Specification 570.
- Activities such as clearing, grading, and excavating that will disturb one or more acres of land require coverage under the Generic Permit for Stormwater Discharge from Large and Small Construction Activities from the Florida Department of Environmental Protection, and implementation of appropriate pollution prevention measures to minimize erosion and sedimentation and properly manage stormwater.
- Confirm compatibility of wildflower with Seeding Zones.

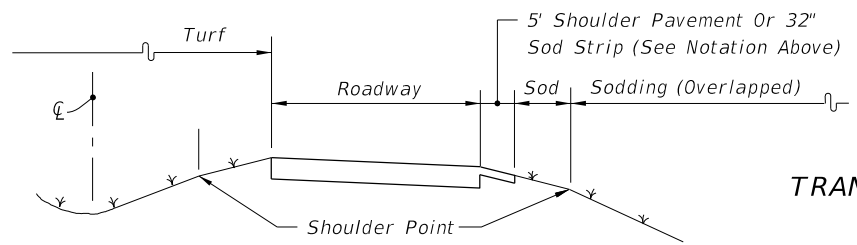
SEEDING ZONES



10/12/2020 8:13:12 AM

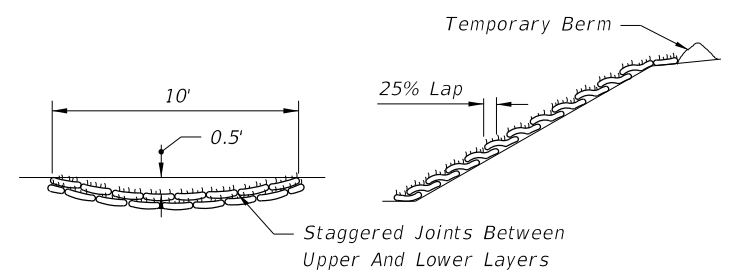


SECTION AA
(Symmetrical About \mathcal{Q})

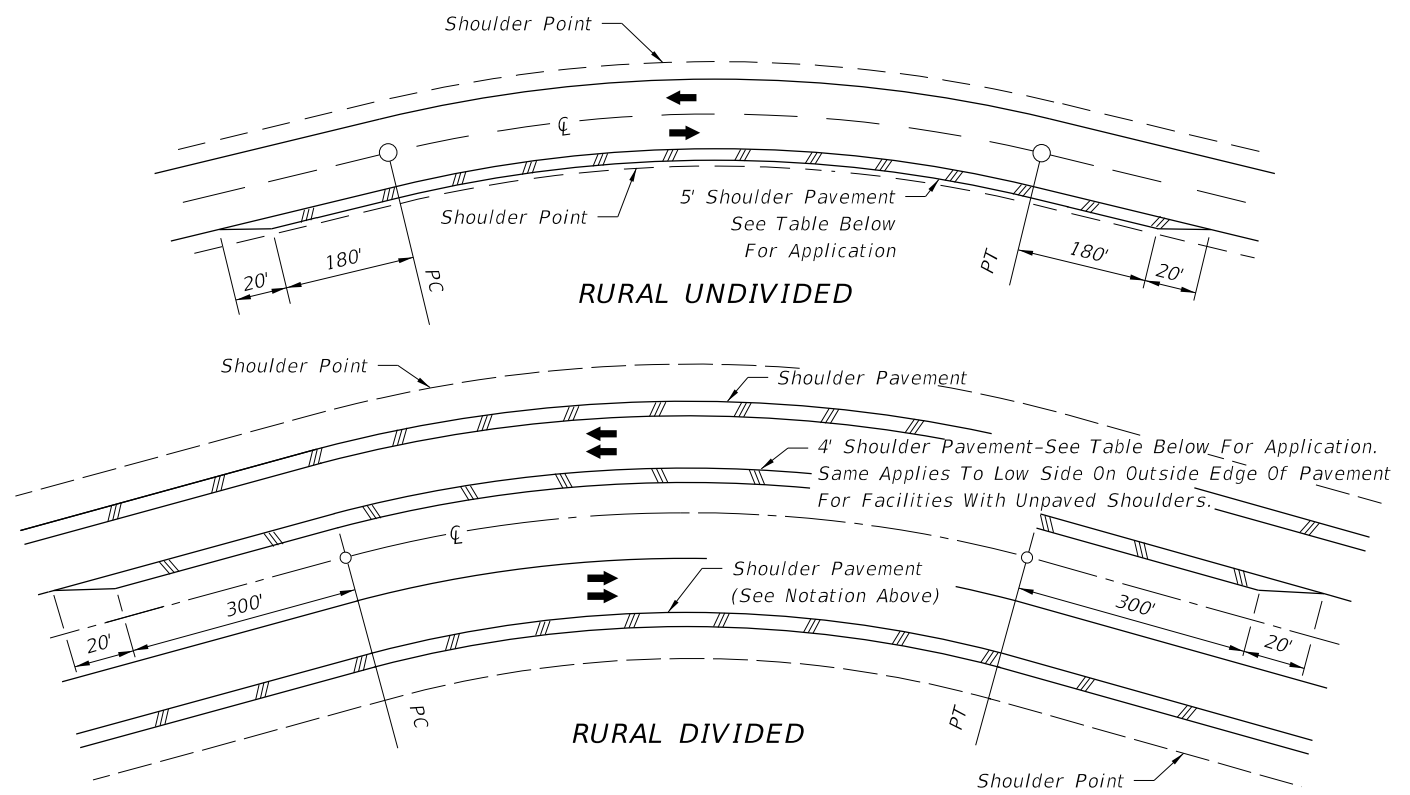


SECTION BB
(Symmetrical About \mathcal{Q})

SHOULDER AND SLOPE TREATMENT IN SAG VERTICAL CURVES



TRANSVERSE SECTION LONGITUDINAL SECTION
OVERLAPPED SOD FLUME



CRITERIA FOR PAVING SHOULDER ON DIVIDED AND UNDIVIDED FACILITIES		
Design Speed (mph)	Degree Of Curve	Note: Shoulder Pavement is required on all curves meeting the criteria tabulated. For curves not meeting the criteria, shoulders are to be paved where erosion of the shoulder is evident or anticipated.
30	7° Or Greater	
40	5° Or Greater	
50	4° Or Greater	
60	3° Or Greater	
65	3° Or Greater	
70	2° Or Greater	

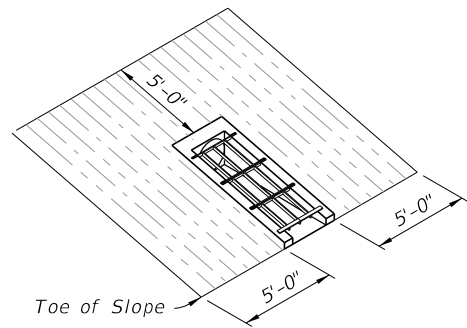
SHOULDER AND SLOPE TREATMENT FOR SUPERELEVATED ROADWAYS

NOTES

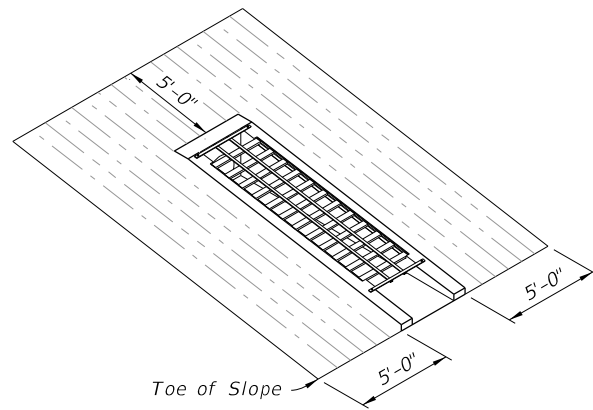
1. These treatments are applicable to new construction, reconstruction and RRR projects. Project requirements for shoulder pavement and sodding that exceed the limits of this standard take precedence.
2. For sodding adjacent to ditches and at headwalls, see Index 524-001.
3. All front slopes steeper than 1:3 are to be sodded.

TREATMENTS FOR PROTECTION FROM CONCENTRATED ROADWAY RUNOFF EROSION AND SHOULDER RAVELING

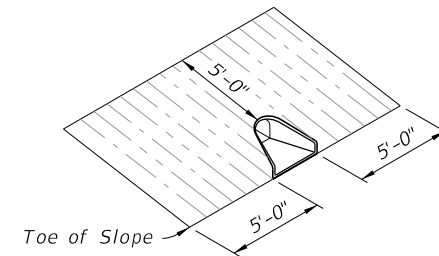
10/12/2020 8:13:14 AM



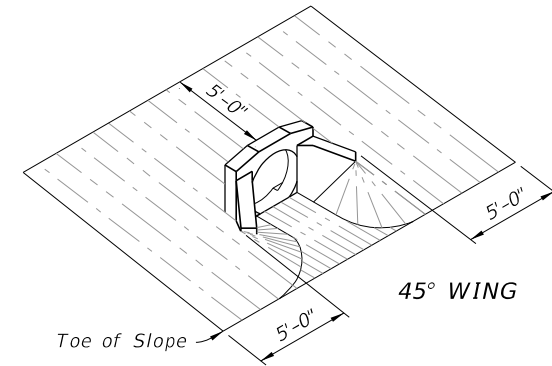
INDEX 430-010



INDEX 430-011

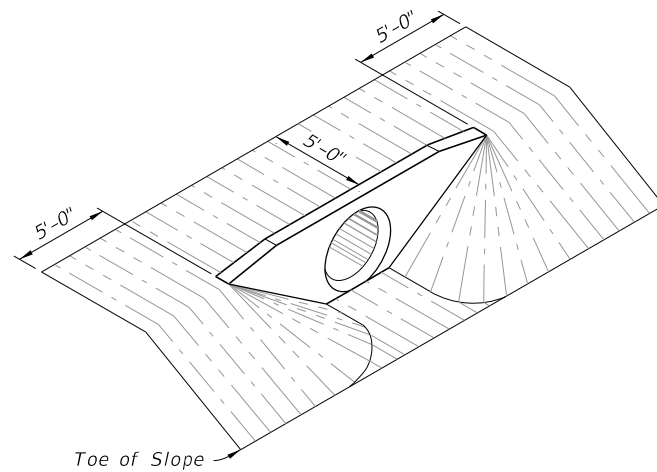


INDEX 430-020

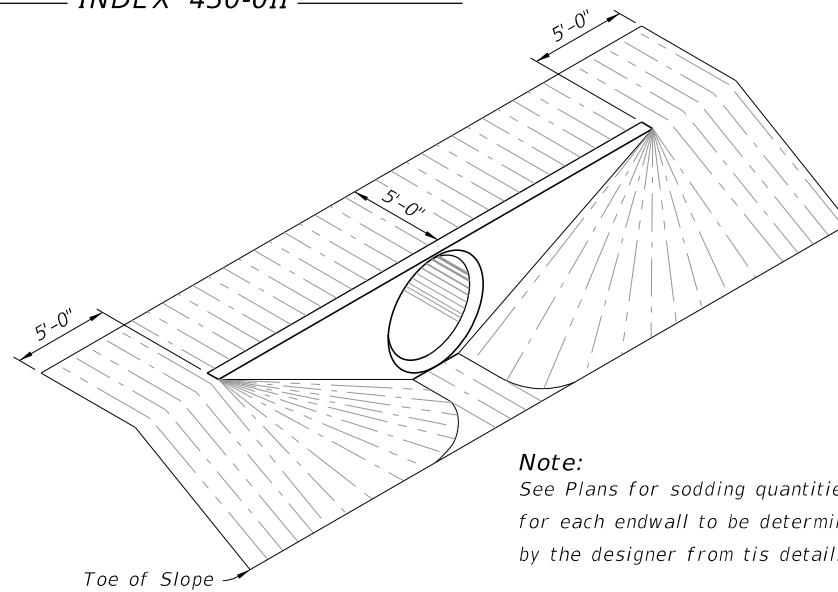


45° WING

INDEX 430-040

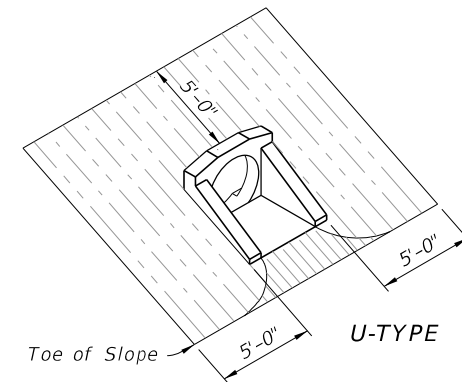


INDEX 430-030



INDEX 430-031 Through 430-034

Note:
See Plans for sodding quantities for each endwall to be determined by the designer from this detail.



U-TYPE

INDEX 430-040

TABLE 2: SOD QUANTITIES (SY)

PIPE SIZE	INDEX 430-010	INDEX 430-011					INDEX 430-020	INDEX 430-030												INDEX 430-040			
	1:4	SLOPE					ALL SLOPES	SLOPE												SLOPE			
		1:2	1:3	1:4	1:6	1:2		1:3			1:4			1:6			1:2	1:3	1:4	1:6			
		PIPES	PIPES	PIPES	PIPES			PIPES	PIPES	PIPES	PIPES	PIPES	PIPES	PIPES									
12"	1	1	1	1	1	1	1	2	3	1	2	3	1	2	3	1	2	3	1	1	1	1	
15"	15	13 (15)	16	17	23	11	19	21	24	22	26	29	26	30	33	34	38	43	15	17	20	25	
18"	16	14 (16)	17	19	25	11	21	24	27	25	29	33	30	34	38	39	44	50	16	18	22	28	
21"						12																	
24"	19	15 (17)	19	21	28	14	26	30	34	32	37	42	38	44	50	50	58	66	19	22	26	34	
27"						15																	
30"	21	17 (18)	21	24	32	16	31	37	42	39	46	53	46	55	63	62	74	85	21	25	30	40	
36"						18	37	44	52	46	56	65	56	67	79	76	91	107	24	29	35	47	
42"						19	43	53	62	55	67	79	67	82	96	91	111	132	27	32	39	54	
48"						21	50	62	73	64	79	93	78	97	115	108	133	158	30	36	44	61	
54"						21	57	71	85	74	92	110	91	113	136	126	157	188					
60"						22																	
66"						25																	
72"						26																	
		() Endwall With Baffles																					

SOD PLACEMENT AT PIPE/CULVERT END TREATMENTS

10/12/2020 8:13:19 AM