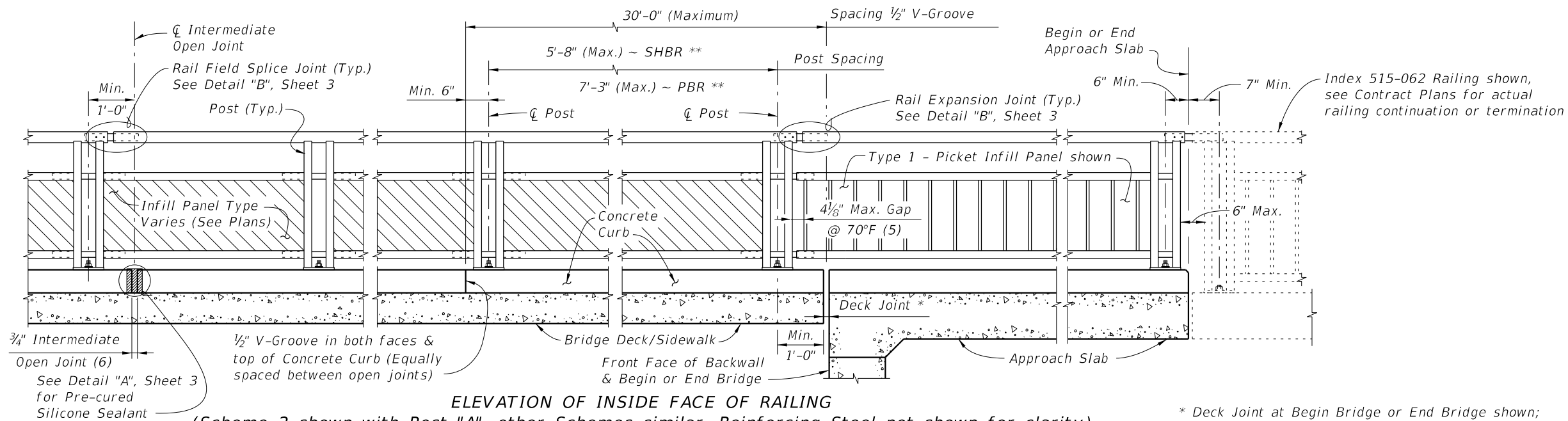


PLAN
(Scheme 2 shown, other Schemes similar, Reinforcing Steel not shown for clarity)



ELEVATION OF INSIDE FACE OF RAILING
(Scheme 2 shown with Post "A", other Schemes similar, Reinforcing Steel not shown for clarity)

* Deck Joint at Begin Bridge or End Bridge shown; Deck Joint at ϕ Pier or Intermediate Bent similar.

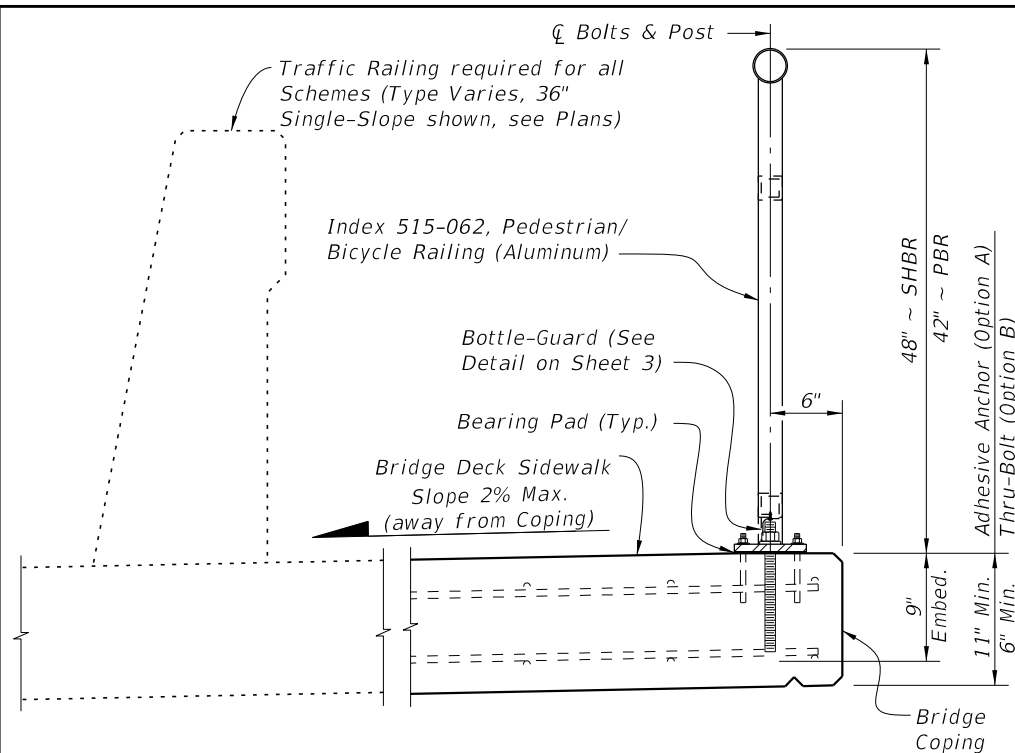
** SHBR ~ Special Height Bicycle Railing
PBR ~ Pedestrian/Bicycle Railing

NOTES:

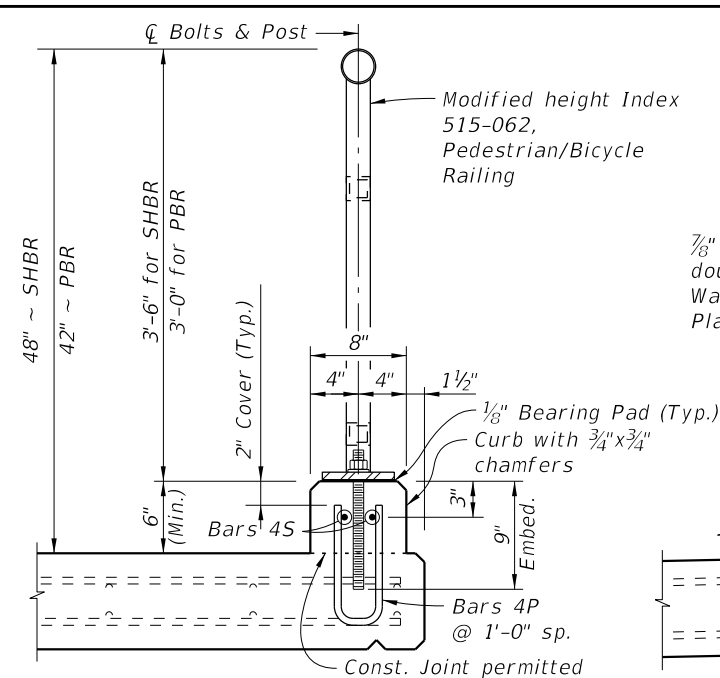
1. Shop Drawings are required.
2. Work this Index with Index 515-062 Aluminum Bicycle/Pedestrian Railing Details and Specification Section 515. Refer to the IDS for Design Criteria and Limits of Use.
3. Materials:
 - A. Galvanized Steel Fasteners: Hex Head Bolt ASTM A307, Hex Nuts ASTM A563, Washers ASTM F436
 - B. Aluminum:
 - a. Support Bracket (Scheme 3) L-shape and Stiffener Plate: ASTM B209, Alloy 6061-T6
 - b. Bottle-guard (Schemes 1 & 3) L-shape: ASTM B209, Alloy 6061-T6 or 6063-T5
 - C. Concrete: Same as bridge deck
 - D. Pre-cured Silicone Sealant: Specification Section 932
 - E. Bearing Pads: Provide $\frac{1}{8}$ " thick Plain, Fabric Reinforced or Fabric Laminated pads meeting the requirements of Specification Section 932 for Ancillary Structures.
4. See Structures Plans, Superstructure Sheets for bridge information including concrete type, deck expansion joint locations and orientations, and thermal movement.
5. Railings:
 - A. For thermal movement greater than 4" (up to a maximum of 5"), clear opening between adjacent pickets, or panels at Rail Expansion Joints above Deck Joints must be reduced to $3\frac{1}{2}$ ".
 - B. For treatment of railings on skewed bridges see Index 521-427.
6. Curbs:
 - A. Match open curb joints at Deck Expansion Joint locations to the deck joint dimension.
 - B. Construct Concrete Curb (Scheme 2) vertical with the top surface finished level transversely. See Concrete Curb Details Sheet 3.
 - C. Provide $\frac{3}{4}$ " intermediate open joints in curbs coinciding with the $\frac{3}{4}$ " joints in the traffic railing.
7. Payment: Support bracket (Scheme 3) is incidental to the cost of railing. Curb concrete and reinforcing steel (Scheme 2) are included in the bridge deck quantities.

10/8/2020 10:01:52 AM

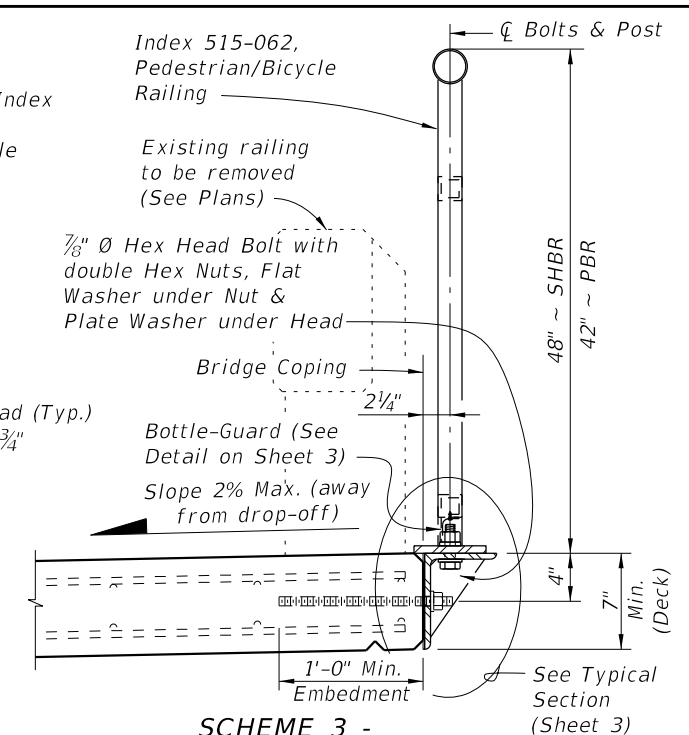
LAST REVISION 11/01/17	REVISION	DESCRIPTION:		FY 2021-22 STANDARD PLANS	BRIDGE PEDESTRIAN/BICYCLE RAILING (ALUMINUM)	INDEX 515-061	SHEET 1 of 3
---------------------------	----------	--------------	--	------------------------------	---	------------------	-----------------



SCHEME 1A - DETAILS
(Adhesive Anchor Option)

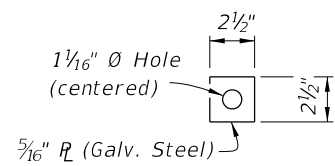


SCHEME 2 -
TYPICAL SECTION THROUGH
CURB MOUNTED RAILING

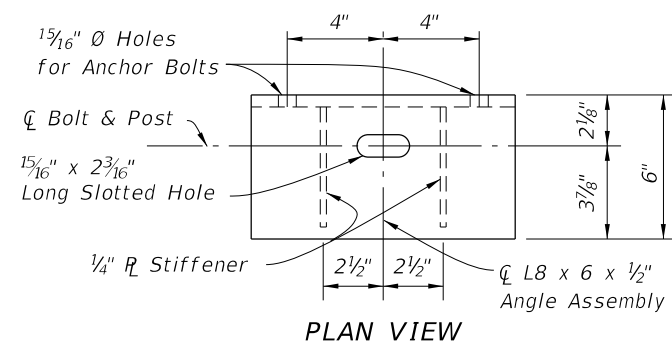


SCHEME 3 -
TYPICAL SECTION THROUGH
SIDE MOUNTED RAILING (RETROFIT)

CROSS REFERENCE:
See Sheet 1 for Bridge Railing Notes.



THRU-BOLT PLATE
WASHER DETAIL



PLAN VIEW

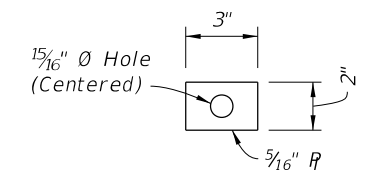
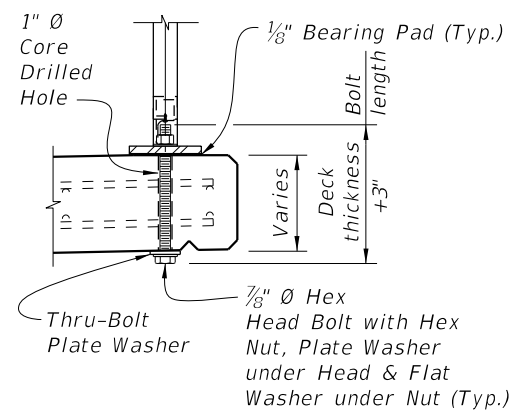
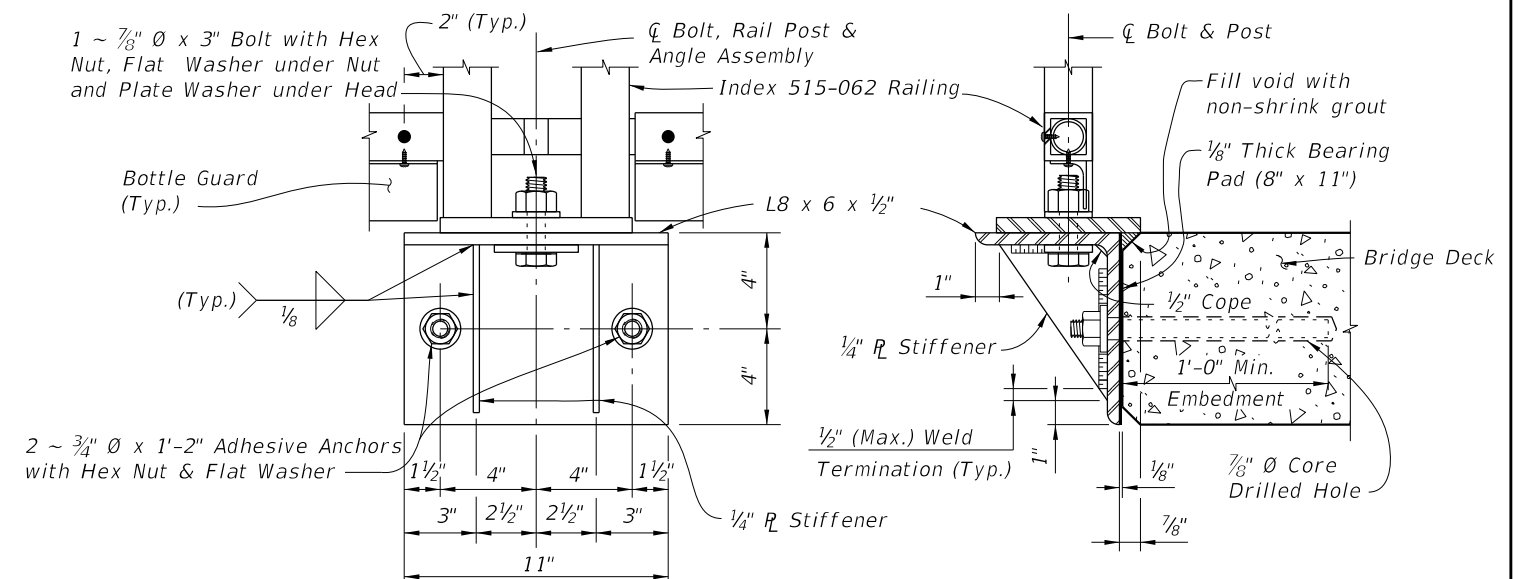


PLATE WASHER DETAIL



SCHEME 1B - DETAILS
(Thru-Bolt Option)



ELEVATION VIEW

TYPICAL SECTION

SCHEME 1 - TYPICAL SECTION THROUGH DECK MOUNTED RAILING

SCHEME 3 - SIDE-MOUNTED SUPPORT BRACKET DETAILS

10/8/2020 10:01:54 AM

LAST REVISION 11/01/17	DESCRIPTION:
---------------------------	--------------

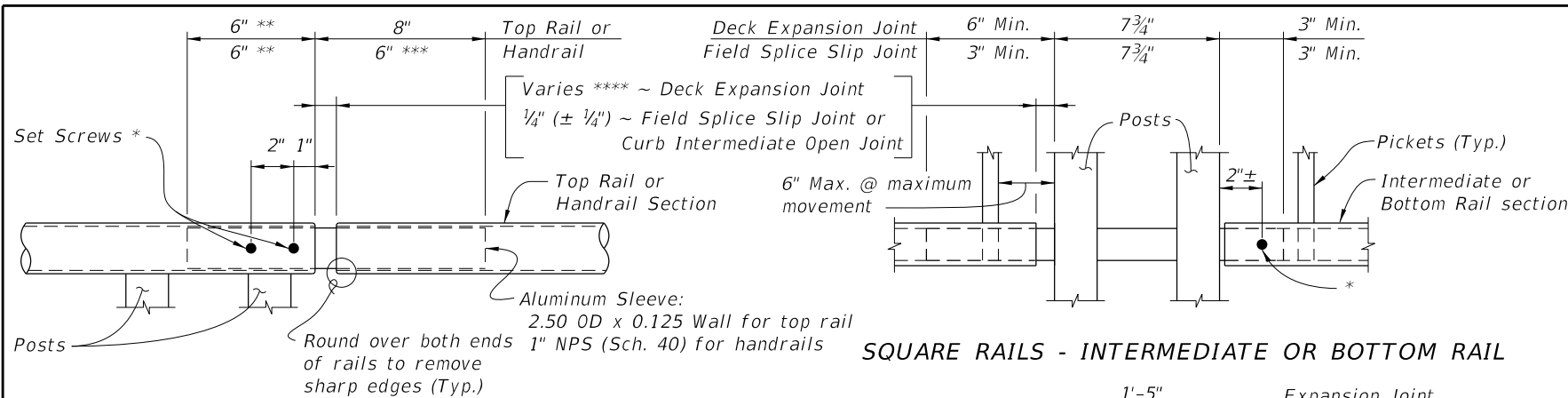


FY 2021-22
STANDARD PLANS

BRIDGE PEDESTRIAN/BICYCLE RAILING
(ALUMINUM)

INDEX
515-061

SHEET
2 of 3



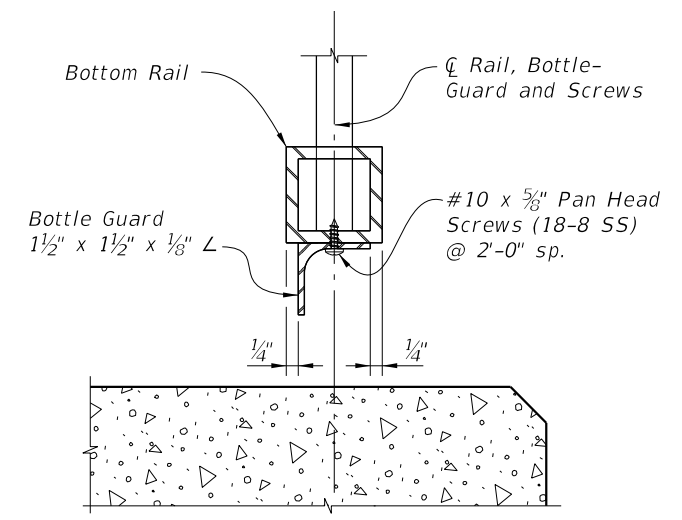
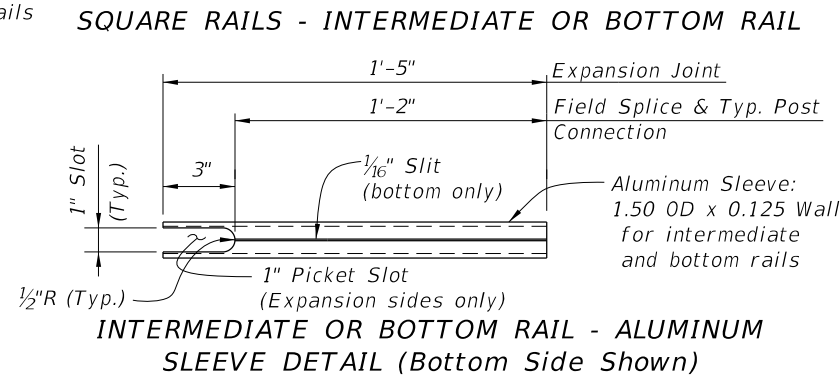
ROUND RAILS - TOP RAIL OR HANDRAIL

* $\frac{1}{4}$ " \varnothing x $\frac{3}{4}$ " Pan Head Aluminum (Alloy 7075-T73) or Stainless Steel (Type 316 or 18-8 Alloy) Set Screws along outside face of railing. Set screws must be set flush against the rail surface. A $\frac{3}{4}$ " \varnothing plug weld may be substituted for the two set screws at expansion joints.

** Embedded length may be 4" for plug welded connection.

*** Increase handrail sleeve embedment to 8" for Expansion Joint openings greater than 2".

**** Expansion Joint opening shall match the clear opening in the deck joint but not greater than 3".



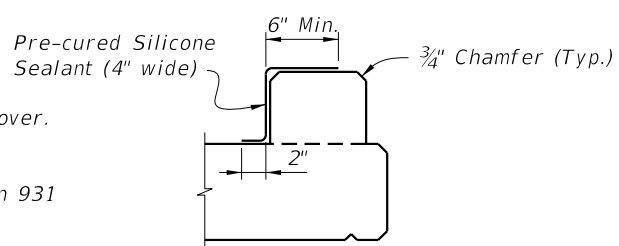
TYPICAL SECTION THROUGH BOTTOM RAIL (Post Not Shown for Clarity)

SCHEME 1 - BOTTLE GUARD DETAIL

DETAIL "B" EXPANSION JOINT (FIELD SPLICE SIMILAR)

ALTERNATE REINFORCING (WWR) DETAILS		CONVENTIONAL REINFORCING STEEL BENDING DIAGRAMS	
NOTE: Place wire panels to minimize the end overhang. End Overhangs greater than 4 3/4" are not permitted.		BILL OF REINFORCING STEEL	
<p>SPLICE DETAIL (Between WWR Sections)</p>		MARK	SIZE
<p>WWR SECTION DETAIL</p>		P	4
		S	4
		BAR 4P	As Reqd.
		BAR 4S	As Reqd.

- CURB REINFORCING STEEL NOTES:**
- All bar dimensions in the bending diagrams are out to out.
 - The reinforcement for the curb on a retaining wall shall be the same as detailed for an 8" deck.
 - All reinforcing steel at the open joints shall have a 2" minimum cover.
 - Bars 4S may be continuous or spliced at the construction joints. Bar splices for Bars 4S shall be a minimum of 1'-8".
 - Deformed WWR meeting the requirements of Specifications Section 931 may be used in lieu of all Bars 4P and 4S.



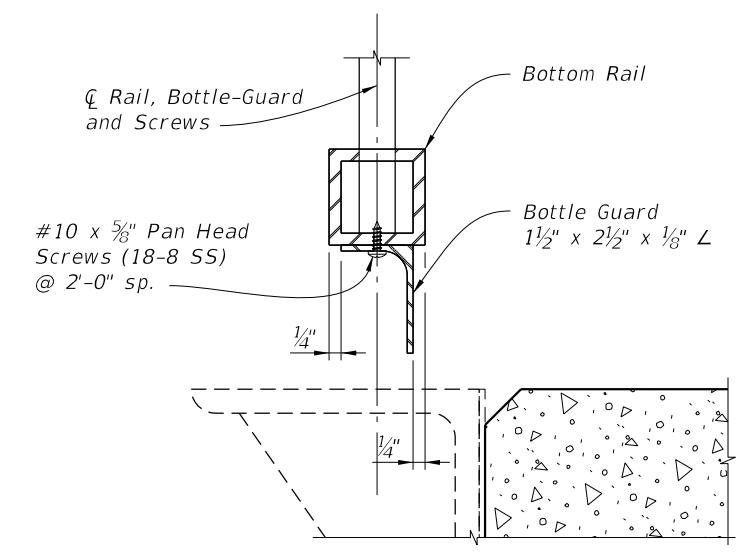
DETAIL "A" - SECTION AT INTERMEDIATE OPEN JOINT

INTERMEDIATE JOINT SEAL NOTE:

At Intermediate Open Joints, seal the lower 6" portion of the open joint with Pre-cured Silicone Sealant. Apply sealant prior to any Class V finish coating and remove all curing compound and loose material from the surface prior to application of bonding agent.

ESTIMATED CONCRETE CURB QUANTITIES (SCHEME 2)		
ITEM	UNIT	QUANTITY
Concrete	CY/LF	0.0124
Reinforcing Steel	LB/LF	4.01

SCHEME 2 - CONCRETE CURB DETAILS



TYPICAL SECTION THROUGH BOTTOM RAIL (Post Not Shown for Clarity)

SCHEME 3 - BOTTLE GUARD DETAIL

10/8/2020 10:01:56 AM