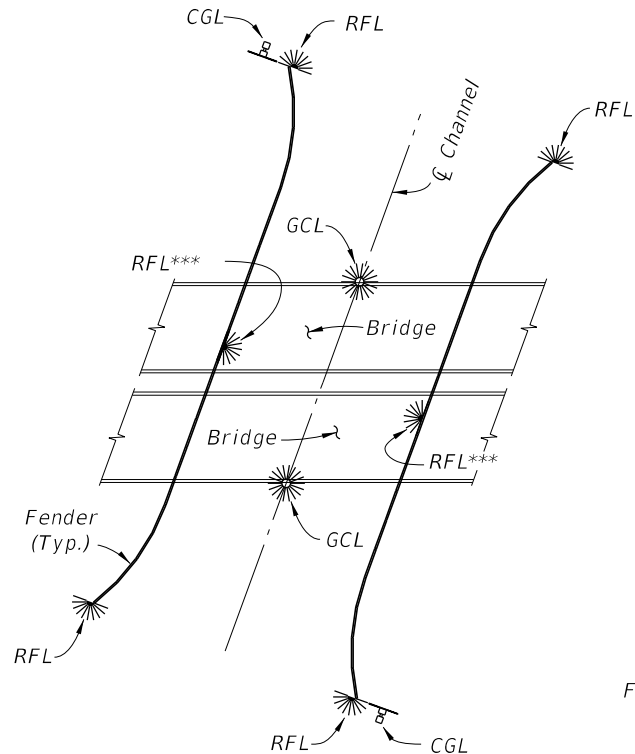
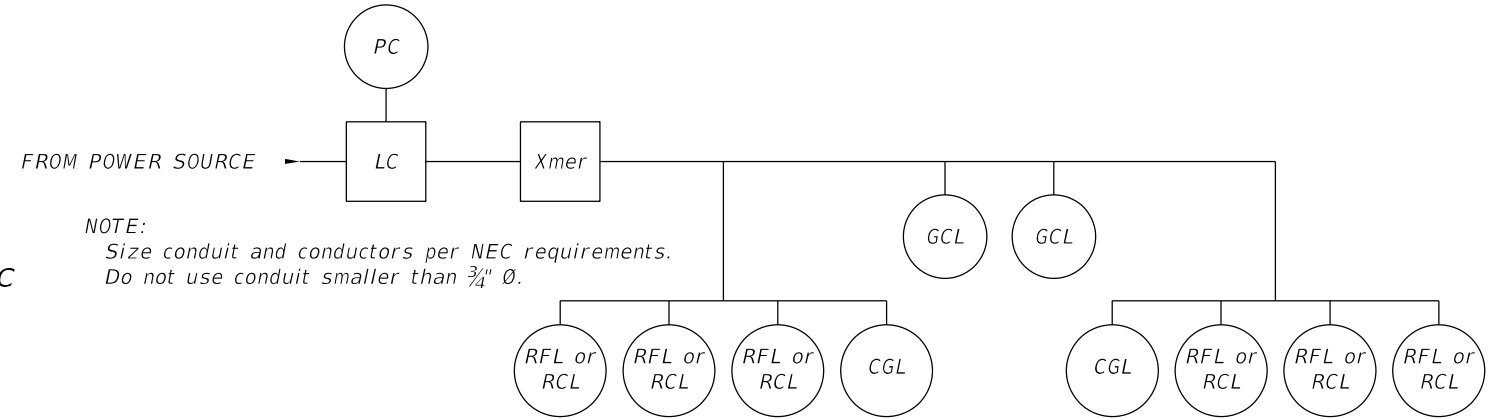


NAVIGATION LIGHT SYSTEM SCHEMATIC FOR SINGLE BRIDGE WITH FENDERS



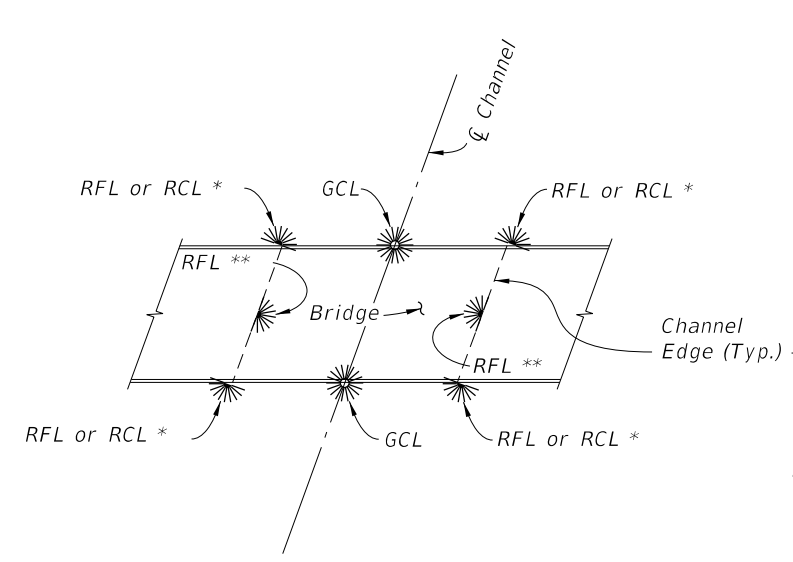
NAVIGATION LIGHT SYSTEM SCHEMATIC FOR DUAL BRIDGES WITH FENDERS

NAVIGATION LIGHT NOTES:
 1. Provide Navigation Light System in compliance with Specifications Section 510.

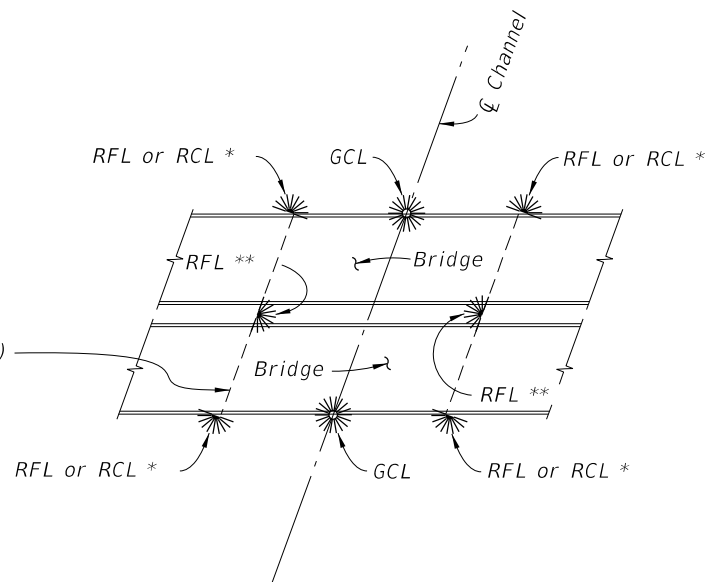


NOTE:
 Size conduit and conductors per NEC requirements.
 Do not use conduit smaller than 3/4" Ø.

TYPICAL ELECTRICAL SCHEMATIC DIAGRAM



NAVIGATION LIGHT SYSTEM SCHEMATIC FOR SINGLE BRIDGE WITHOUT FENDERS



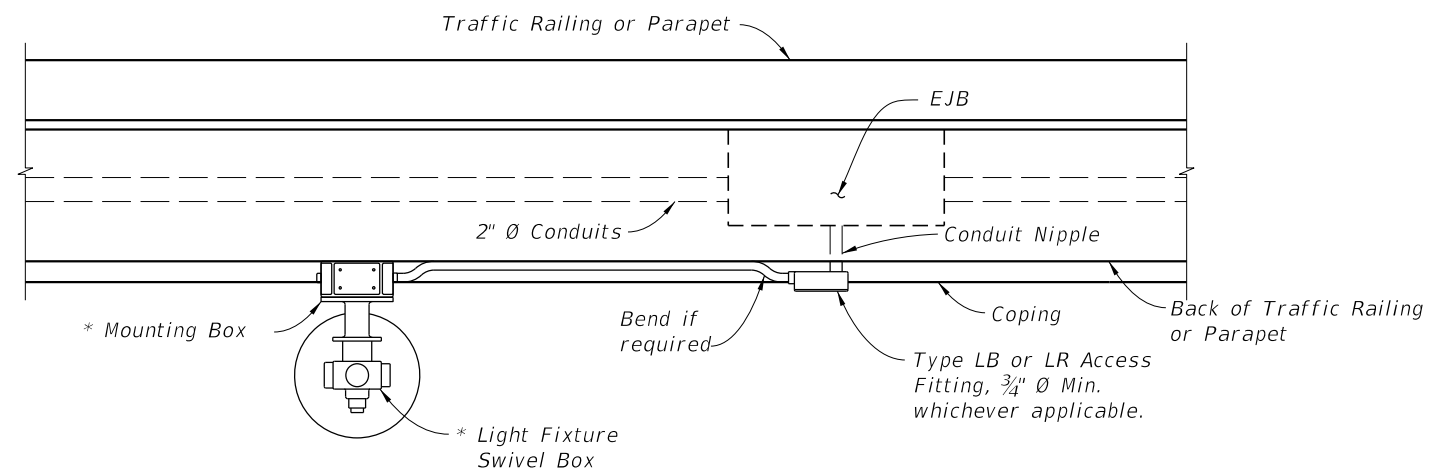
NAVIGATION LIGHT SYSTEM SCHEMATIC FOR DUAL BRIDGES WITHOUT FENDERS

POWER CONDUCTORS			
DISTANCE (feet)	VOLTS	CONDUCTOR	TRANSFORMER
0 - 75	120	#12 AWG	N/A
75 - 500	120 or 240	#10 AWG	N/A
500-1000	240	#10 AWG	N/A
1000-2000	480	#10 AWG	2 KVA
2000-5000	480	#8 AWG	2 KVA
5000-10000	480	#6 AWG	2 KVA
over 10000	480	#4 AWG	2 KVA

- LEGEND**
- | | |
|------|--|
| LC | Lighting Contactor |
| PC | Photocell Control |
| Xmer | Transformer (If Required) |
| ☀ | RFL or RCL Red Pier/Channel Margin Light (180° visibility) |
| ☀ | GCL Green Center Channel Light (360° visibility) |
| ☒ | CGL Clearance Gauge Light |
| CM | Channel Margin or Pier inner surface whichever defines Channel Edge. |

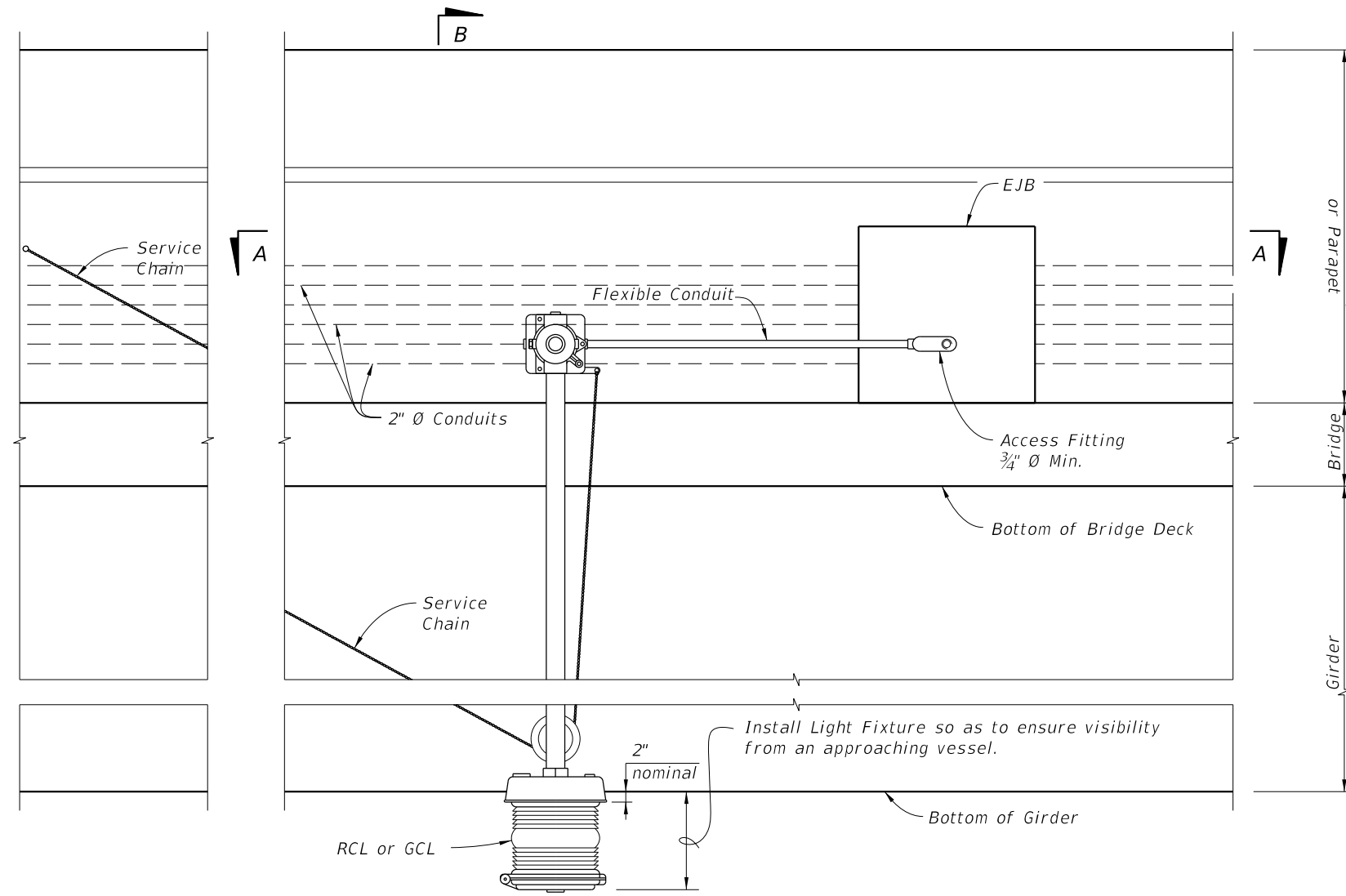
* Use RFL when Pier is at Channel Edge and see CFR, Title 33, part 118 for Mounting Height restrictions. Use RCL otherwise.
 ** Mounted only on the Pier that defines CM, otherwise does not apply.
 *** RFL to be located at mid length of straight portion of fender.

10/8/2020 10:05:27 AM

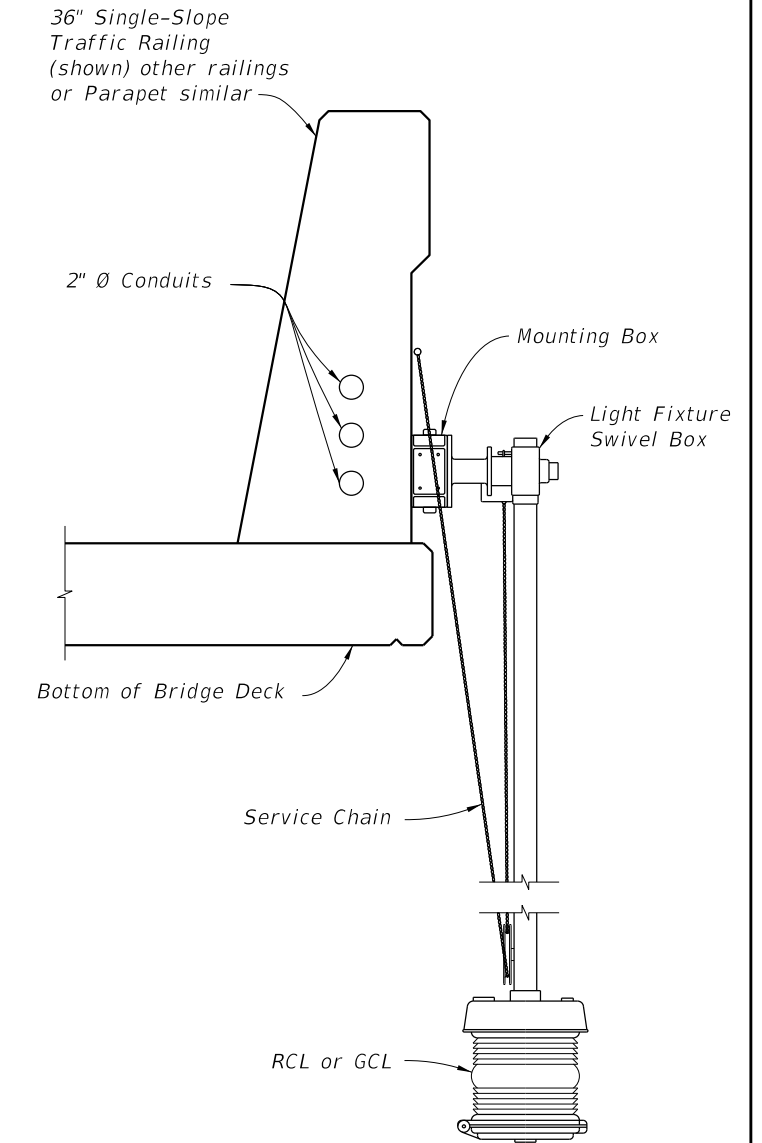


GCL OR RCL MOUNTING DETAILS (SCHEMATIC)
VIEW A-A

CROSS REFERENCES:
 1. For Navigation Light System notes and legend, see Sheet 1.
 2. See Utility Conduit Detail sheets for Embedded Junction Box (EJB) dimensions & locations.
 * Supplied by Light Fixture Manufacturer



GCL OR RCL MOUNTING DETAILS (SCHEMATIC)
ELEVATION VIEW
(Traffic Railing (36" Single-Slope) shown, other railings similar)



SECTION B-B
TYPICAL POSITION OF RCL OR GCL
RELATIVE TO SUPERSTRUCTURES

10/05/20 AM
10/01/2020

LAST REVISION 11/01/17	DESCRIPTION:
---------------------------	--------------


 FY 2021-22
 STANDARD PLANS

NAVIGATION LIGHT SYSTEM DETAILS
 (FIXED BRIDGES)

INDEX 510-001	SHEET 2 of 2
------------------	-----------------