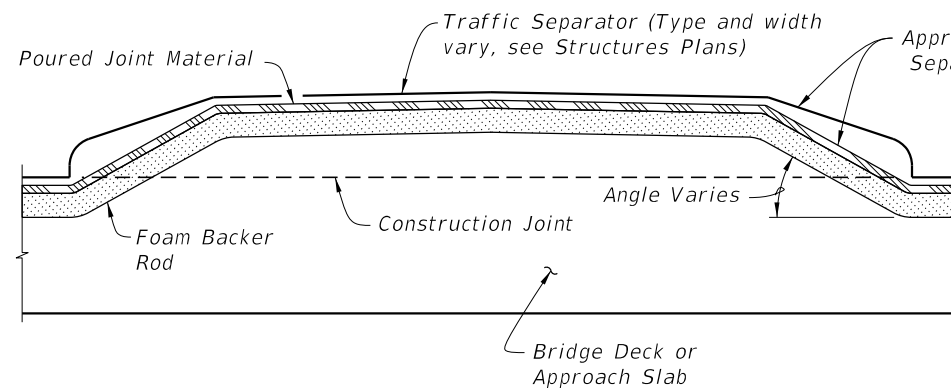
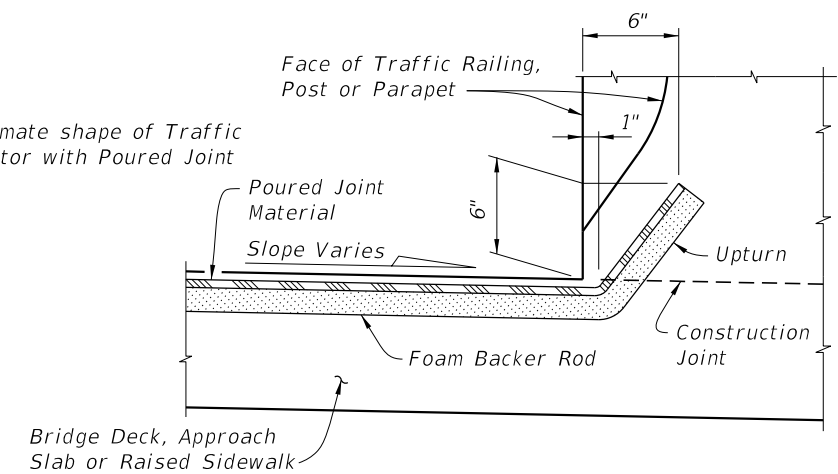


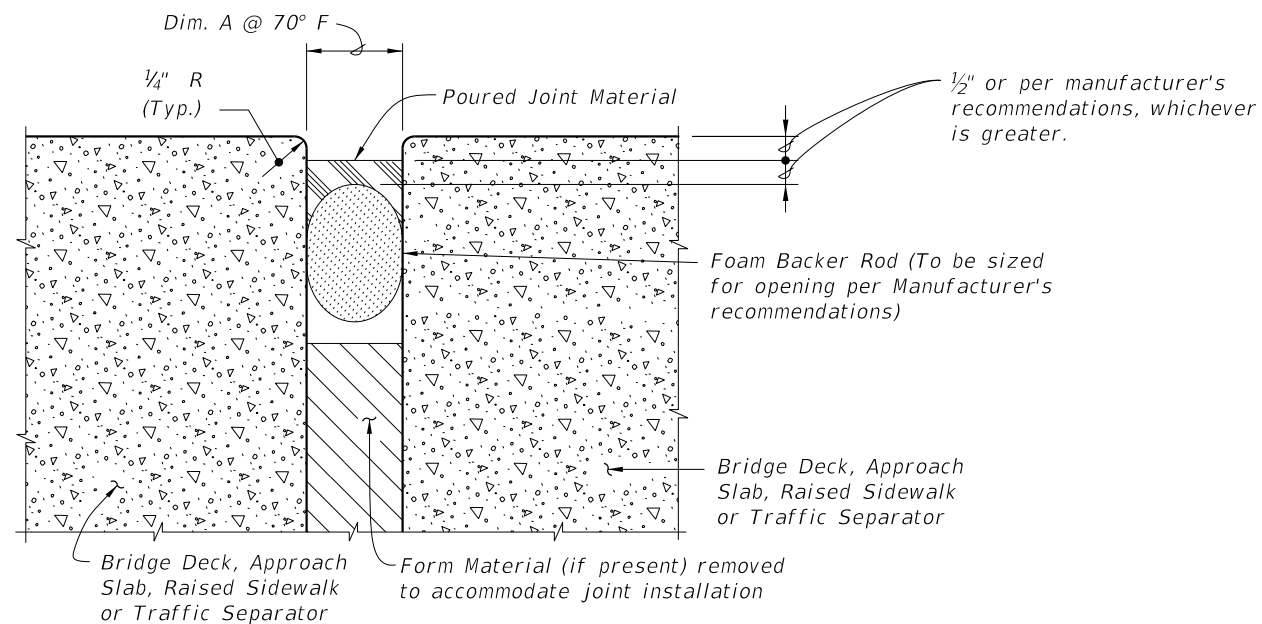
PARTIAL SECTION ALONG Q̄ JOINT
JOINT TREATMENT AT HIGH SIDE OF
DECK WITH SLOPES 1% OR GREATER



PARTIAL SECTION ALONG Q̄ JOINT,
JOINT TREATMENT AT TRAFFIC SEPARATOR



PARTIAL SECTION ALONG Q̄ JOINT
JOINT TREATMENT AT LOW SIDE OF DECK OR
HIGH SIDE OF DECK WITH SLOPES < 1%



TYPICAL SECTION THRU JOINT

GENERAL NOTES:

1. Furnish and install Poured Joint With Backer Rod Expansion Joint Systems in accordance with Specification Sections 458 and 932 using Type D silicone sealant material.
2. Refer to the Structures Plans, Poured Expansion Joint Data Table for Dim. A @ 70° F.

10/8/2020 10:23:12 AM

LAST REVISION 07/01/14	REVISION	DESCRIPTION:
---------------------------	----------	--------------

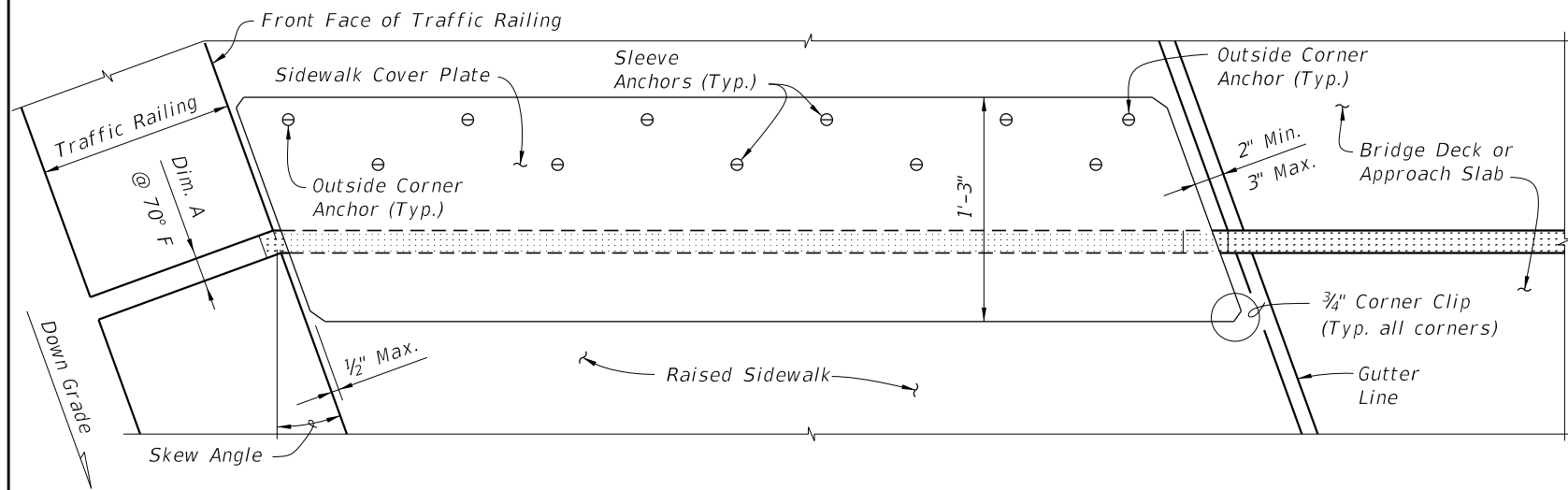


FY 2021-22
STANDARD PLANS

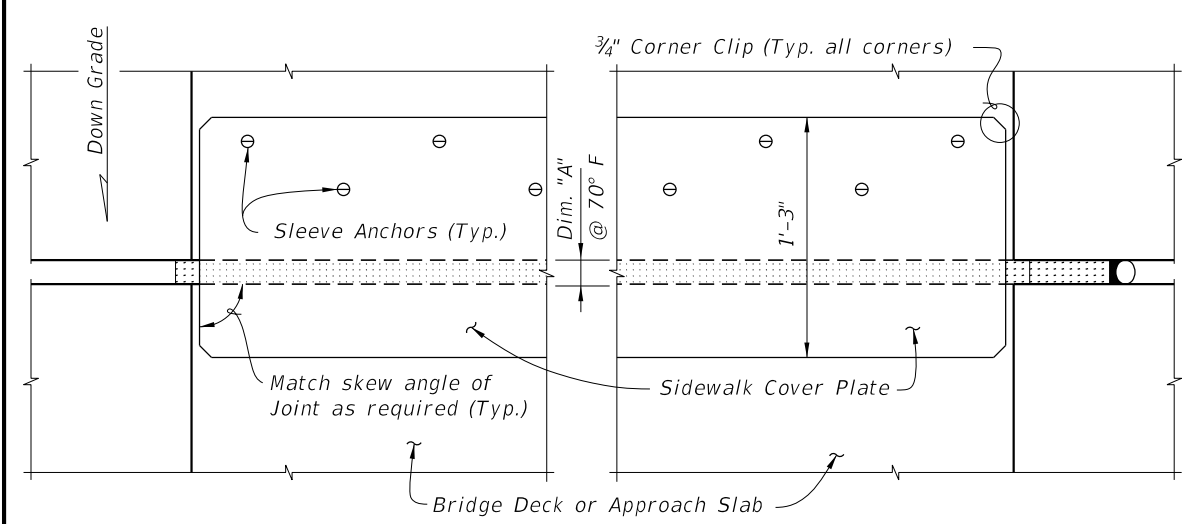
EXPANSION JOINT SYSTEM -
POURED JOINT WITH BACKER ROD

INDEX
458-110

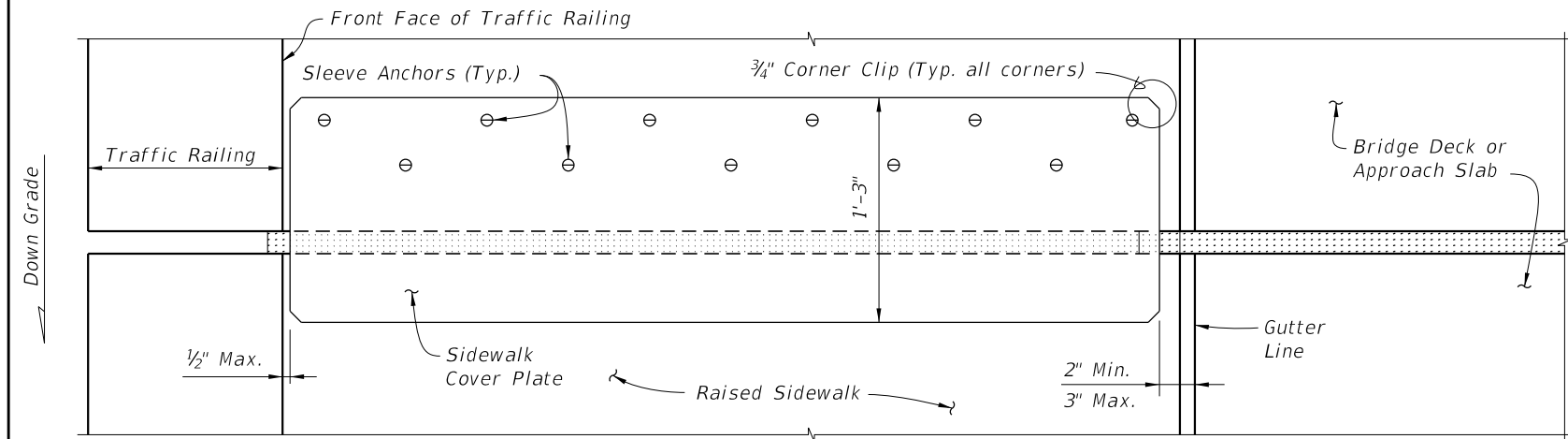
SHEET
1 of 2



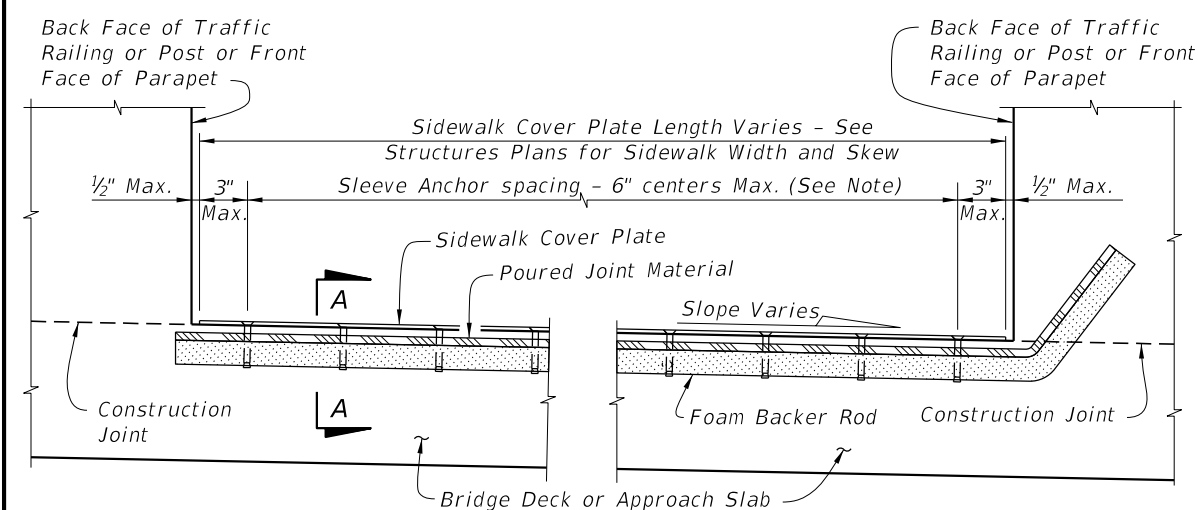
PARTIAL PLAN VIEW OF SKEWED JOINTS



PARTIAL PLAN VIEW

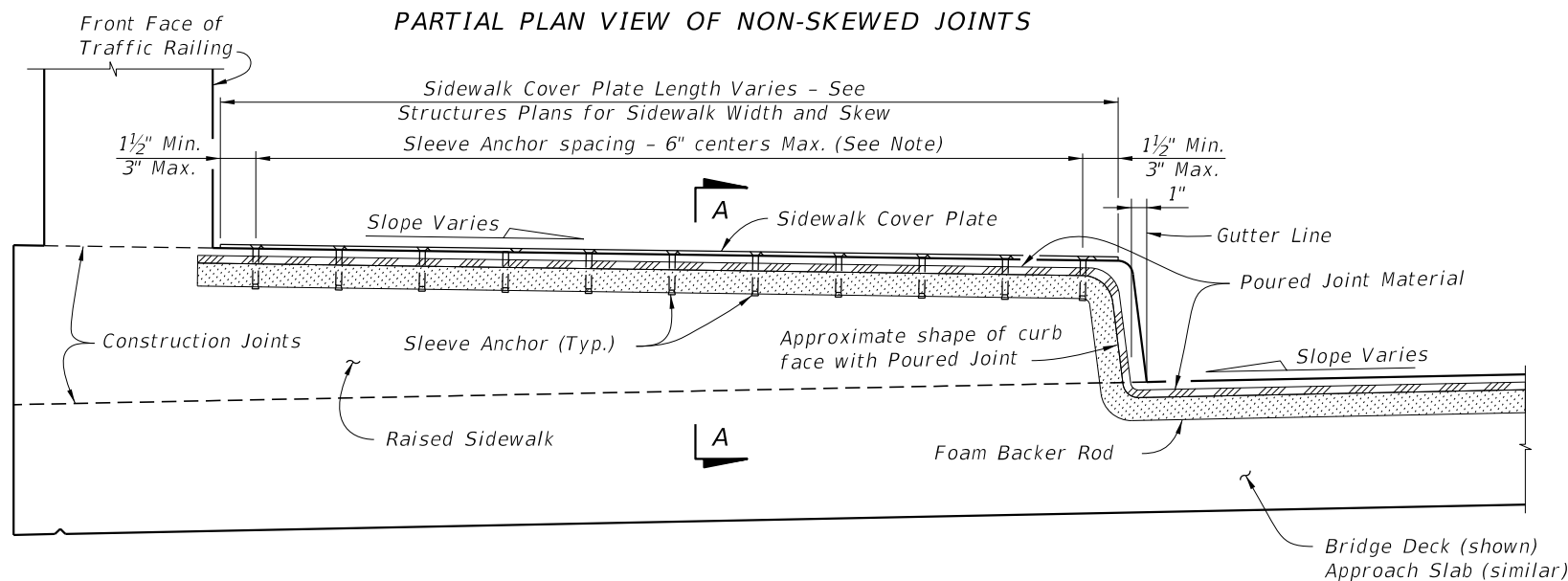


PARTIAL PLAN VIEW OF NON-SKEWED JOINTS



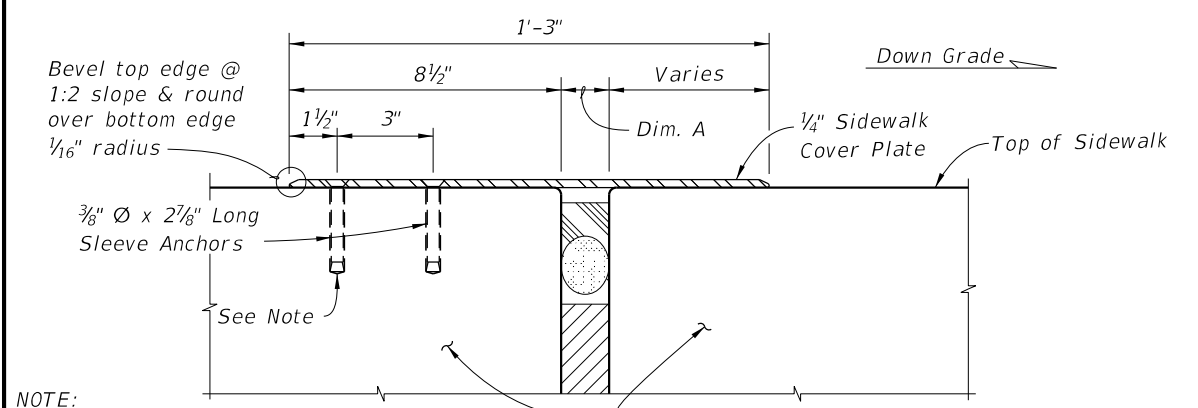
PARTIAL SECTION ALONG Q-JOINT

FLUSH SIDEWALK DETAIL



PARTIAL SECTION ALONG Q-JOINT

RAISED SIDEWALK DETAIL



NOTE:
Sleeve Anchors are required at the two outside corners of the Sidewalk Cover Plate. Space Sleeve Anchors uniformly between the corner anchors.

SECTION A-A

10/8/2020 10:23:15 AM

LAST REVISION 07/01/13	DESCRIPTION:
---------------------------	--------------