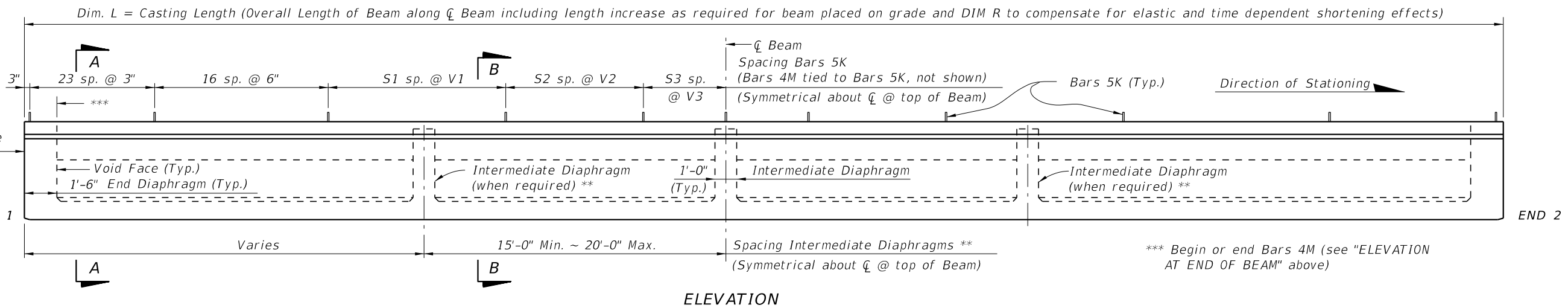


* Reinforcing steel is symmetrical about \bar{C} Beam for Half Sections A-A and B-B.

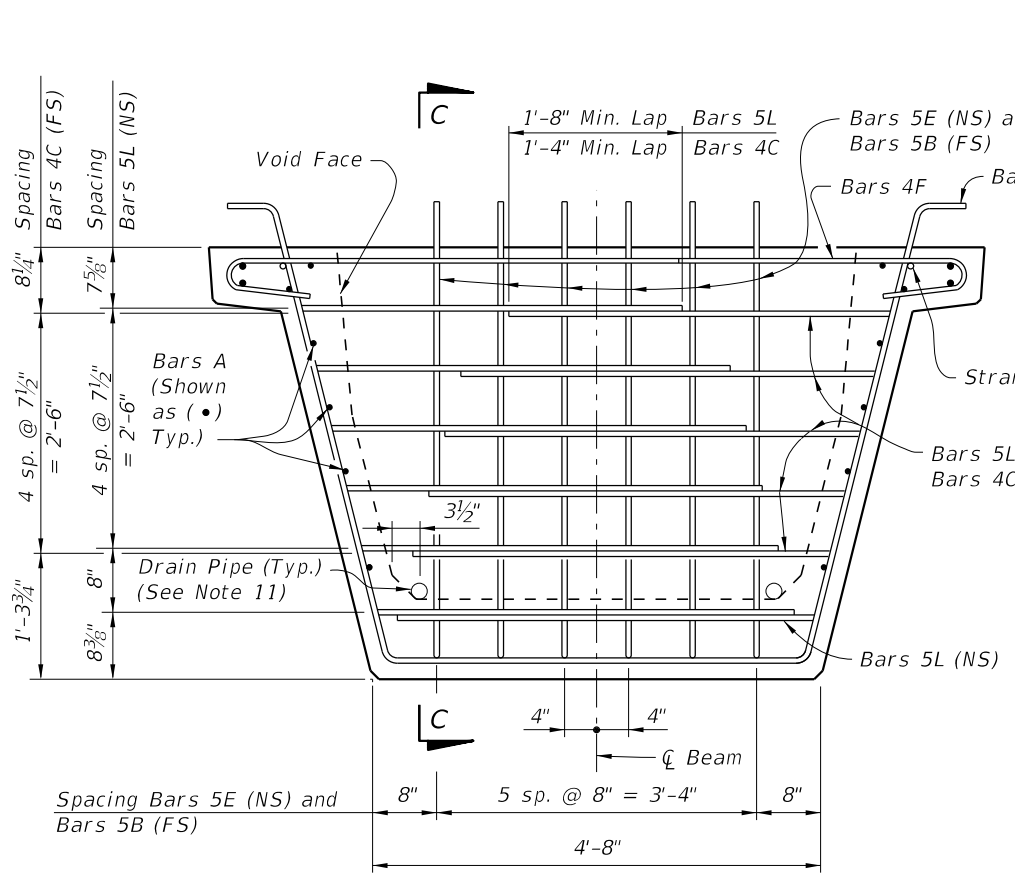
** Intermediate Diaphragms shall be provided:
 (1) - At midspan.
 (2) - At 20'-0" Max. from midspan when beam length (L) exceeds 60 Ft.

NOTES:
 Work this Index with Index 450-210 - Typical Florida-U Beam Details and Notes and the Florida-U Beam - Table of Beam Variables in Structures Plans.
 For referenced notes see Index 450-210.

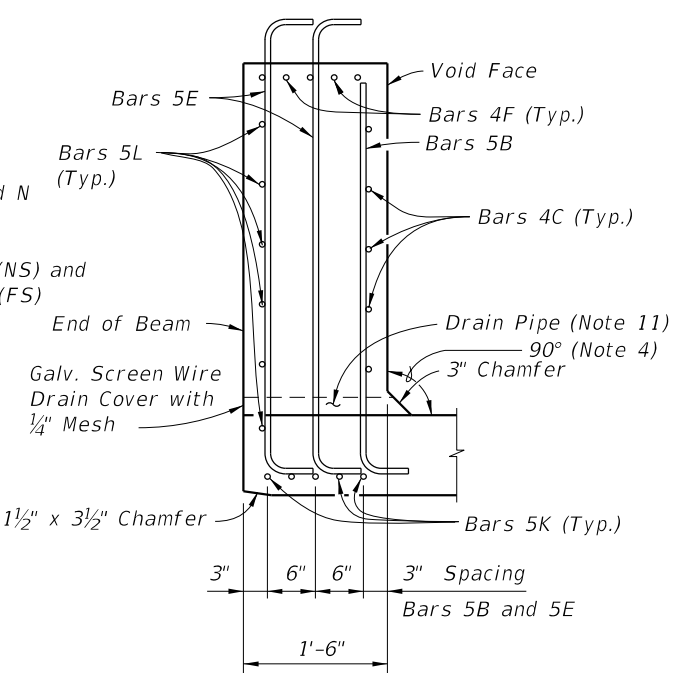


10/8/2020 10:35:51 AM

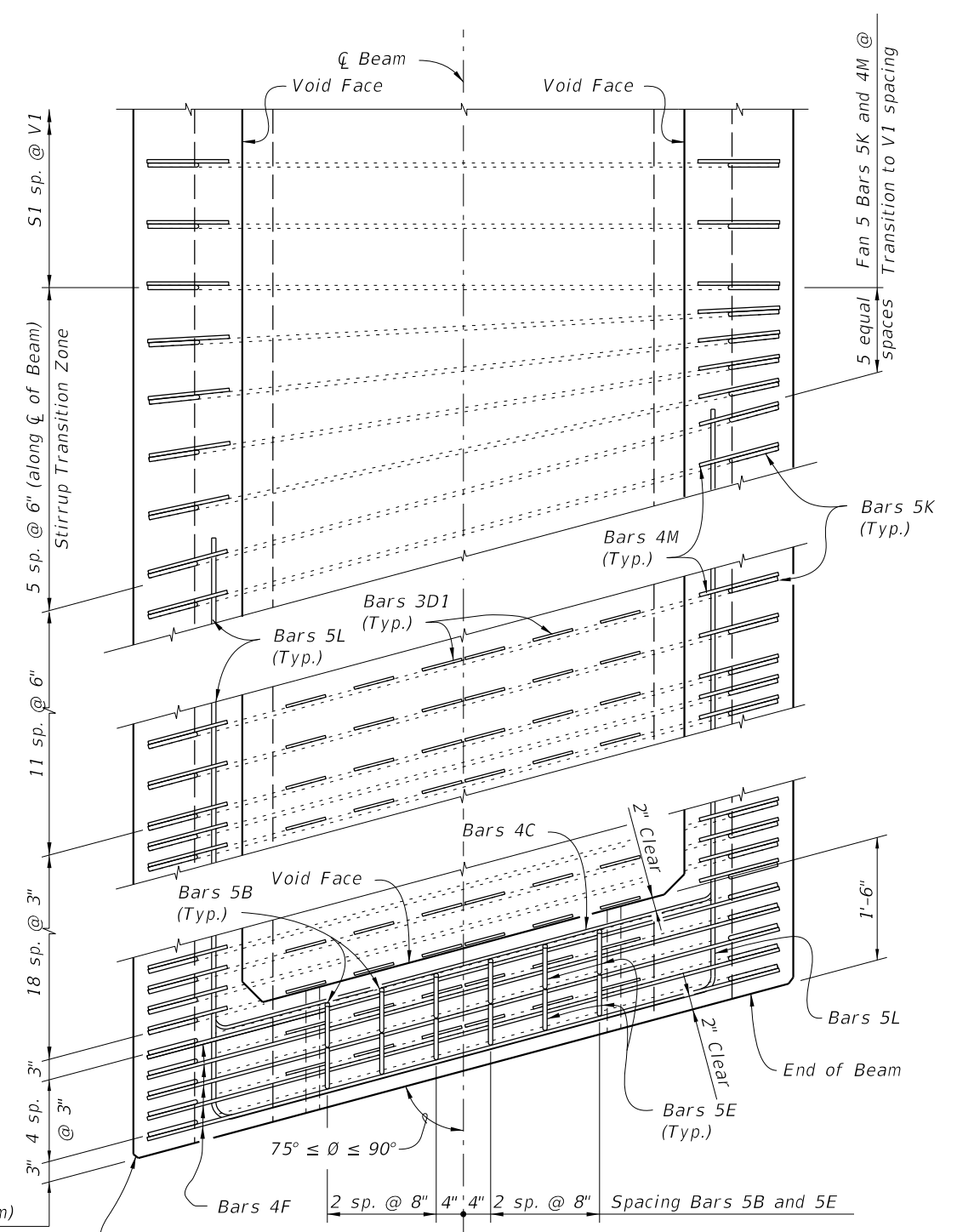
LAST REVISION 11/01/16	DESCRIPTION:	 FY 2021-22 STANDARD PLANS	FLORIDA-U 54 BEAM - STANDARD DETAILS	INDEX 450-254	SHEET 1 of 3
---------------------------	--------------	--	---	-------------------------	------------------------



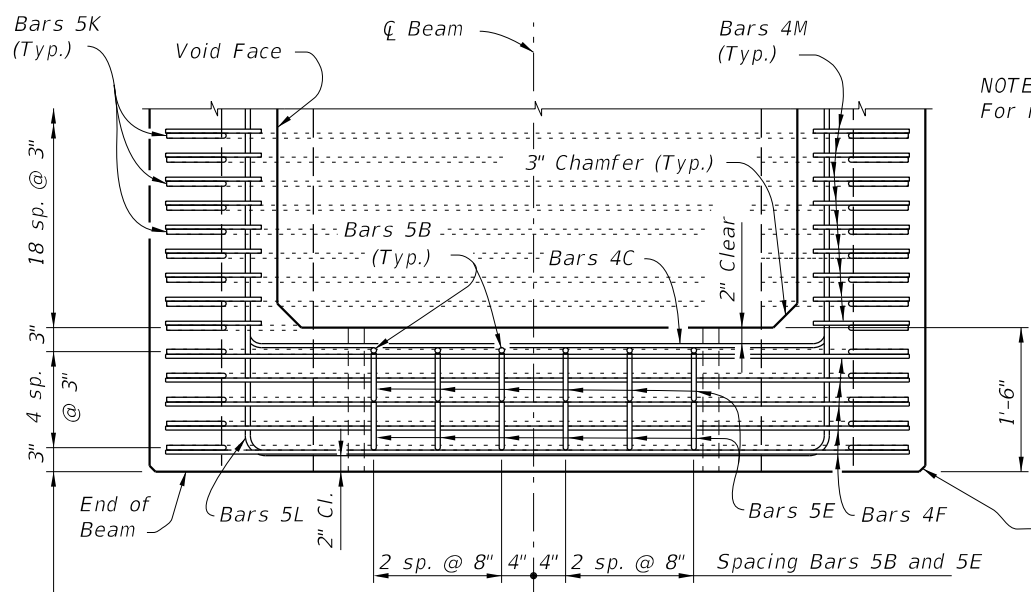
END VIEW AT END DIAPHRAGM



SECTION C-C



TOP VIEW OF SKEWED END DIAPHRAGM AND STIRRUP TRANSITION ZONE (Bars 3D2 Not Shown For Clarity)



TOP VIEW OF END DIAPHRAGM (Bars 3D1 And 3D2 Not Shown For Clarity)

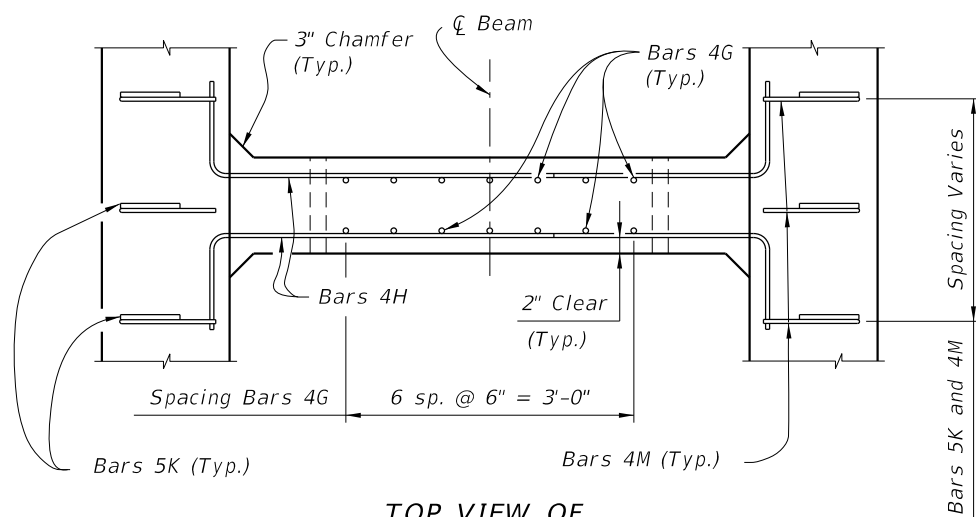
NOTES:
For referenced notes see Index 450-210.

Spacing Bars 5K (Along ϕ of Beam)
(Bars 4F and 4M are Paired with Bars 5K as shown)

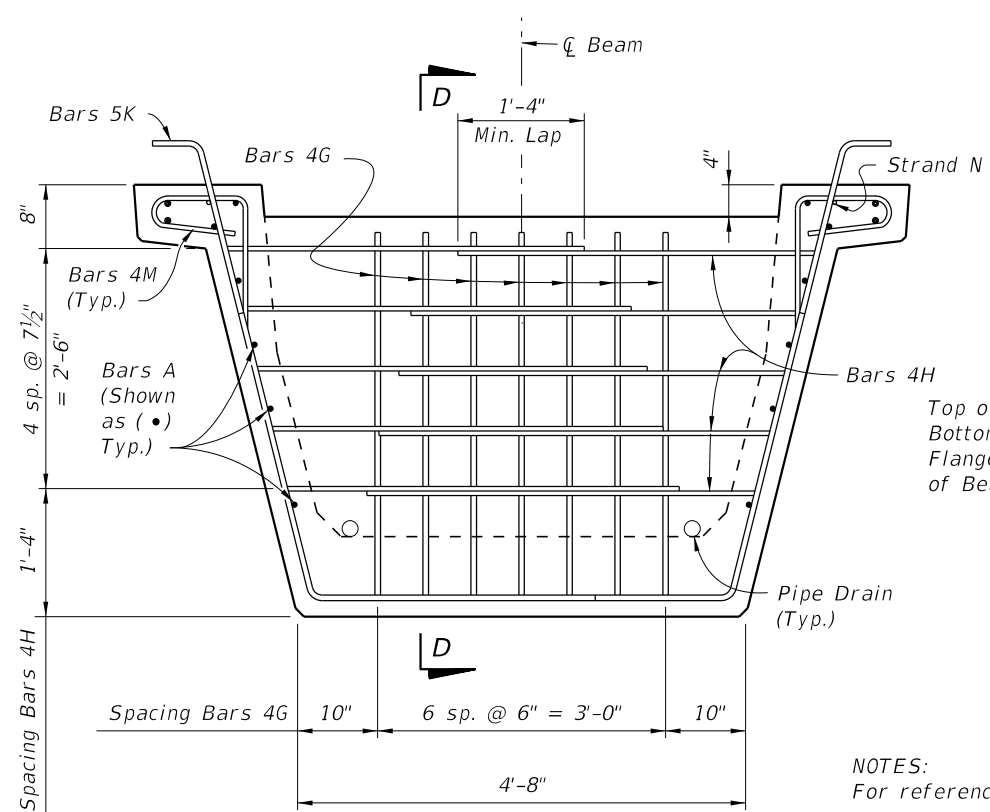
$3/4$ " Chamfer along the Vertical Face of the Top Flange and Web and Underside of the Top Flange (Typ.)

10/8/2020 10:35:53 AM

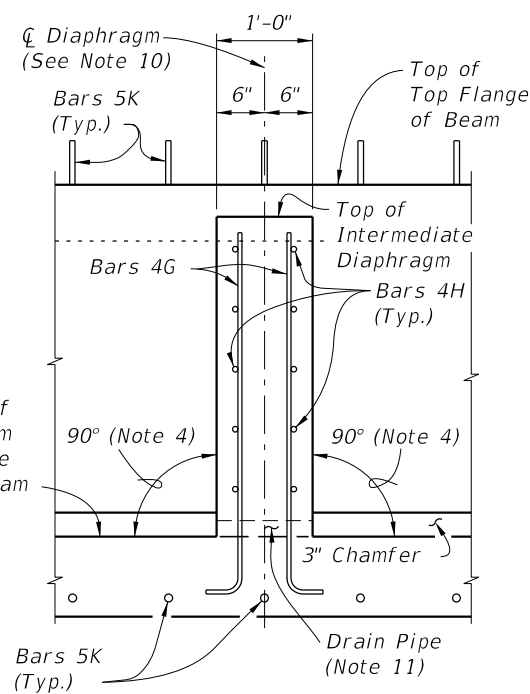
LAST REVISION 11/01/16	DESCRIPTION:	 FY 2021-22 STANDARD PLANS	FLORIDA-U 54 BEAM - STANDARD DETAILS	INDEX 450-254	SHEET 2 of 3
---------------------------	--------------	--	--------------------------------------	------------------	-----------------



TOP VIEW OF INTERMEDIATE DIAPHRAGM



SECTION AT INTERMEDIATE DIAPHRAGM



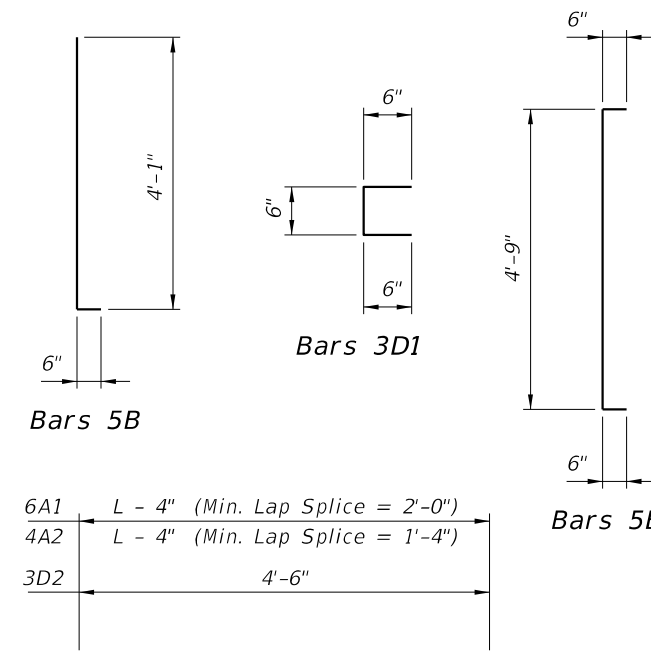
SECTION D-D

NOTES:
For referenced note see Index 450-210.

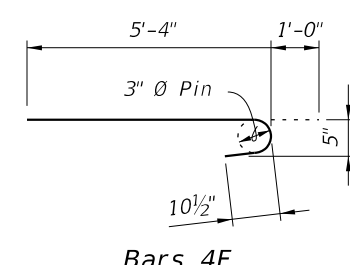
CONVENTIONAL REINFORCING STEEL BENDING DIAGRAMS

BILL OF REINFORCING STEEL FOR ONE BEAM ONLY

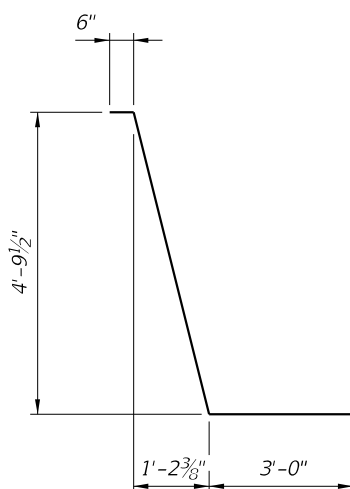
MARK	SIZE	NO. REQD.	LENGTH
A1	6	4	Dim. L - 4"
A2	4	12	Dim. L - 4"
B	5	12	4'-7"
C	4	20	5'-3"
D1	3	180	1'-6"
D2	3	30	4'-6"
E	5	24	5'-9"
F	4	20	6'-4"
G	4	See Table	4'-6"
H	4	See Table	4'-9"
K	5	See Table	8'-6"
L	5	24	16'-2"
M	4	See Table	3'-11"
N	3/8" Ø Strand	2	Dim. L - 3"



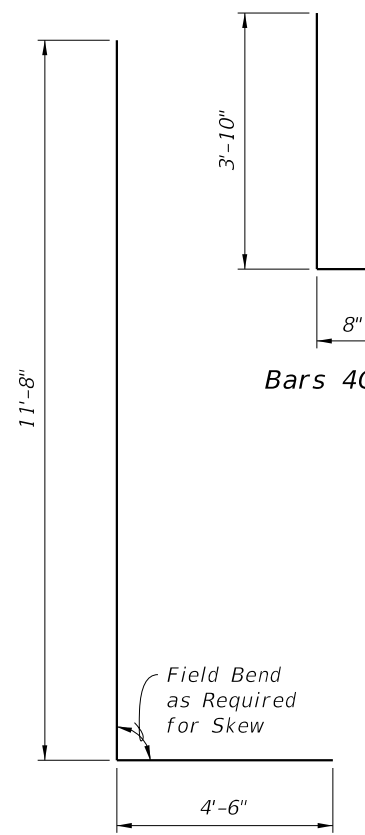
Bars 6A1, 4A2 and 3D2



Bars 4F

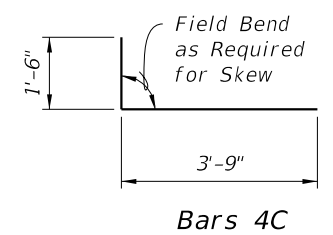


Bars 5K

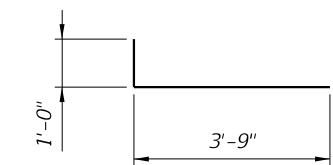


Bars 4G

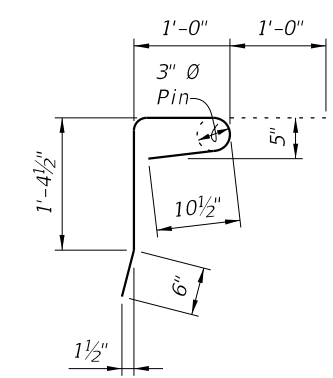
Bars 5L



Bars 4C



Bars 4H



Bars 4M

10/8/2020 10:35:55 AM

LAST REVISION 11/01/16

DESCRIPTION:



FY 2021-22 STANDARD PLANS

FLORIDA-U 54 BEAM - STANDARD DETAILS

INDEX 450-254

SHEET 3 of 3