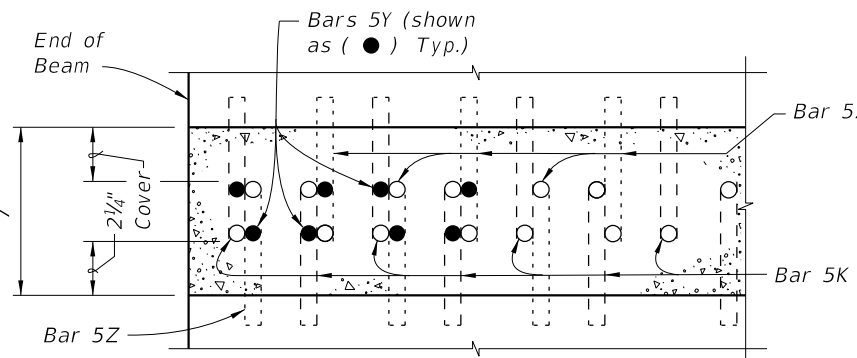
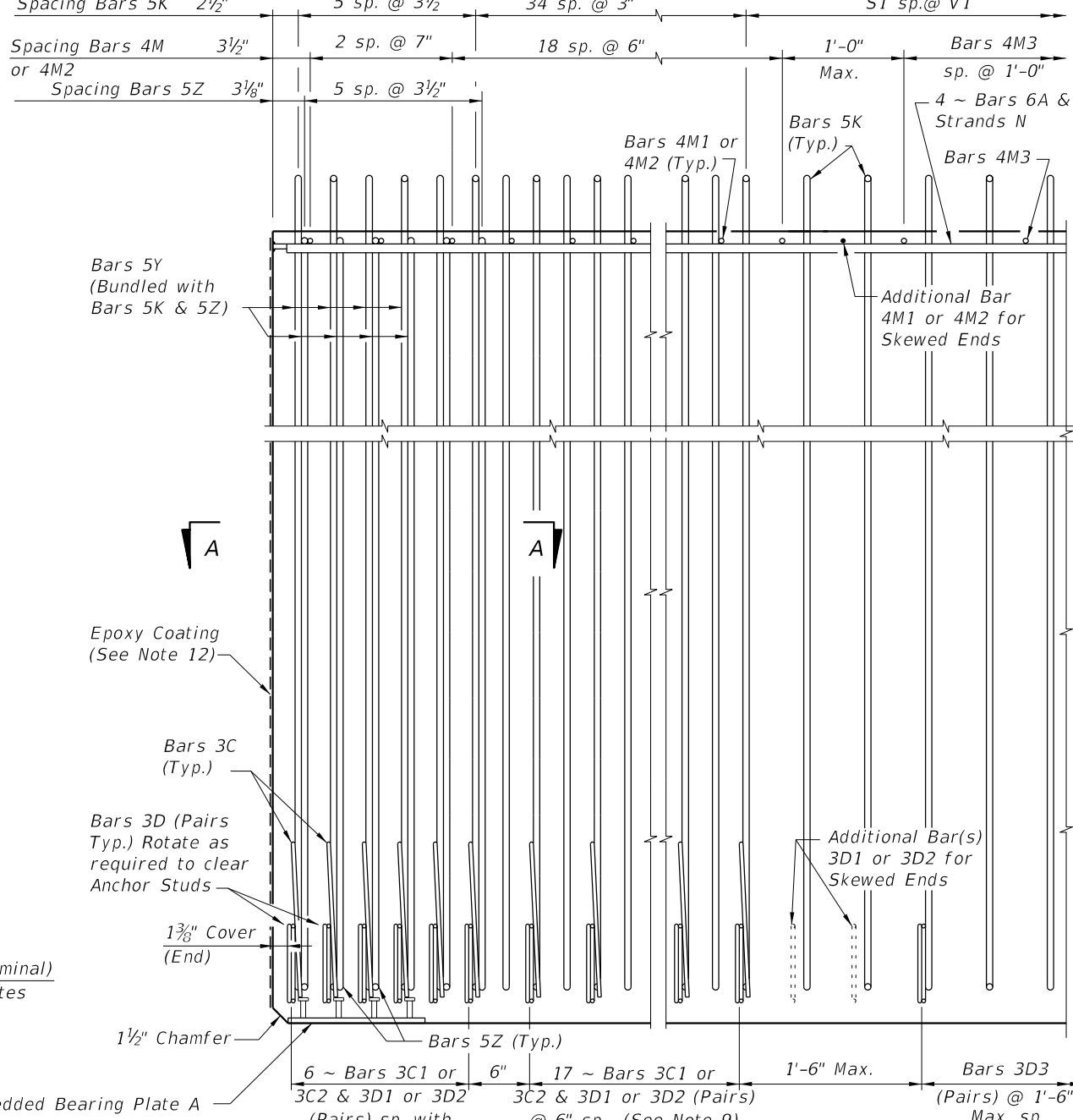


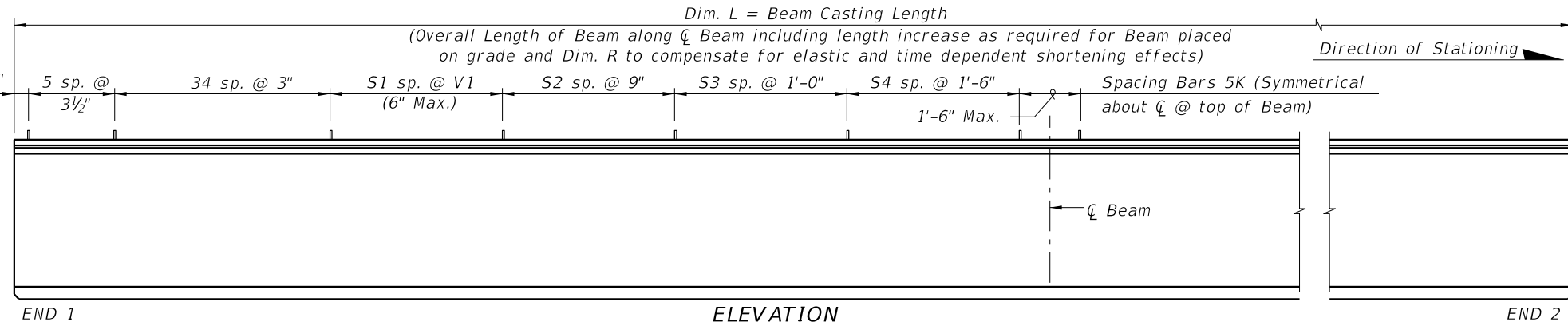
END VIEW



SECTION A-A FOR CONVENTIONAL REINFORCING (Showing Bars 5K, 5Y & 5Z Only)



ELEVATION AT END OF BEAM (Flanges Not Shown For Clarity) (End 1 Shown, End 2 Similar)

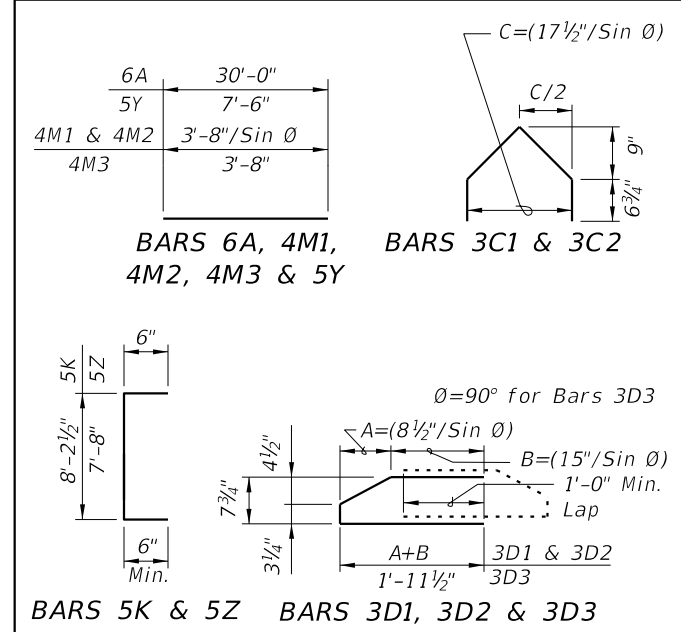


ELEVATION

CONVENTIONAL REINFORCING BAR BENDING DETAILS

| BILL OF REINFORCING STEEL |                 |               |                 |                 |
|---------------------------|-----------------|---------------|-----------------|-----------------|
| MARK                      | NOTE NUMBERS    | SIZE          | NUMBER REQUIRED | LENGTH (NOTE 2) |
| A                         | —               | 6             | 8               | 30'-0"          |
| C1                        | 7, 8 & 9        | 3             | 23 (End 1)      | Varies          |
| C2                        | 7, 8 & 9        | 3             | 23 (End 2)      | Varies          |
| D1                        | 7, 8, 9 & 10    | 3             | 46 (End 1)      | Varies          |
| D2                        | 7, 8, 9 & 10    | 3             | 46 (End 2)      | Varies          |
| D3                        | 9 & 10          | 3             | See Table       | 4'-3"           |
| K                         | 5, 6, 8, 9 & 10 | 5             | See Table       | 9'-2"           |
| M1                        | 7 & 9           | 4             | 21 (End 1)      | Varies          |
| M2                        | 7 & 9           | 4             | 21 (End 2)      | Varies          |
| M3                        | 9               | 4             | See Table       | 3'-8"           |
| N                         | 4 & 12          | 1/2" Ø Strand | 4               | Dim. L          |
| Y                         | 8 & 9           | 5             | 16              | 7'-6"           |
| Z                         | 5, 6, 8, 9 & 10 | 5             | 12              | 8'-8"           |

BENDING DIAGRAMS (See Note 2)

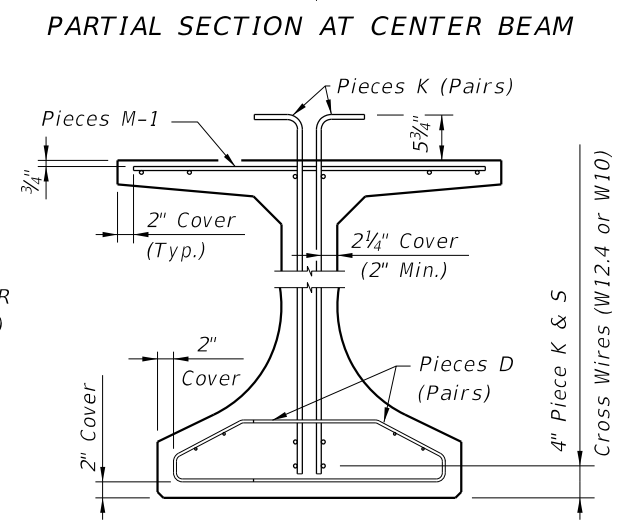
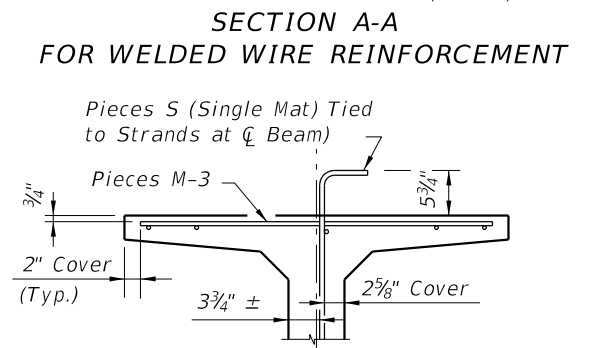
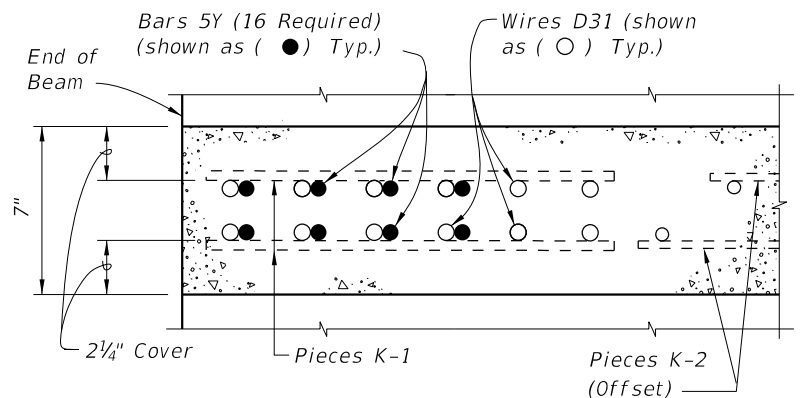
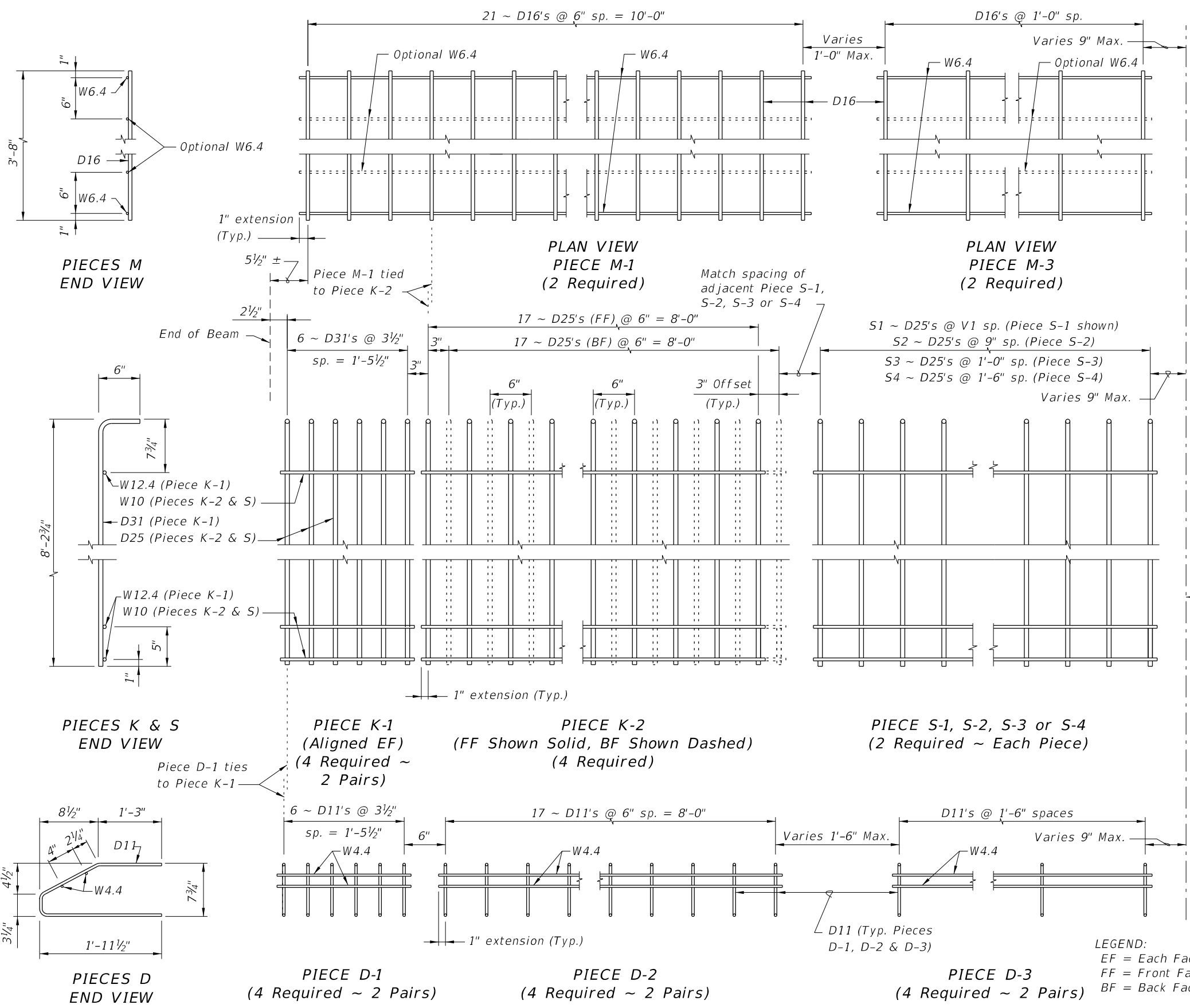


NOTES:  
 A. Work this Index with Index 450-010 - Typical Florida-I Beam Details and Notes and the Florida-I Beam - Table of Beam Variables in Structures Plans.  
 B. For referenced notes, see Index 450-010.  
 C. For Dimensions A, B, C, D, L, R & V1 and number of spaces S1 thru S4, see Florida-I Beam - Table of Beam Variables in Structures Plans.

10/8/2020 10:37:26 AM

| LAST REVISION | DESCRIPTION: |
|---------------|--------------|
| 11/01/19      |              |

ALTERNATE REINFORCING STEEL (WWR) DETAILS



- NOTES:**
- See Sheet 1 for placement details & Table of Beam Variables in Structures Plans for variables S1, S2, S3, S4 & V1.
  - Place Conventional Reinforcing Bars 6A & 3C as shown on Sheet 1. Place additional Bars 5Y as shown in Section A-A for WWR. Bars 5Z will not be used with the WWR Option.
  - Pieces may be fabricated in multiple length sections.
  - For beams with skewed end conditions, Pieces D-1, D-2 & M-1 shall not be used; Conventional Reinforcing Bars D1, D2, C1, C2, M1 & M2 shall be used. See Index 450-010 Skewed Beam End Details and Note 9 for placement details. Shift Pieces K & Bars 5Y to accommodate skewed end conditions and align with Bars C and D.
- LEGEND:**  
 EF = Each Face  
 FF = Front Face  
 BF = Back Face

10/8/2020 10:37:28 AM

|                           |              |                                  |                                      |                  |                 |
|---------------------------|--------------|----------------------------------|--------------------------------------|------------------|-----------------|
| LAST REVISION<br>11/01/16 | DESCRIPTION: | <br>FY 2021-22<br>STANDARD PLANS | FLORIDA-I 96 BEAM - STANDARD DETAILS | INDEX<br>450-096 | SHEET<br>2 of 2 |
|---------------------------|--------------|----------------------------------|--------------------------------------|------------------|-----------------|