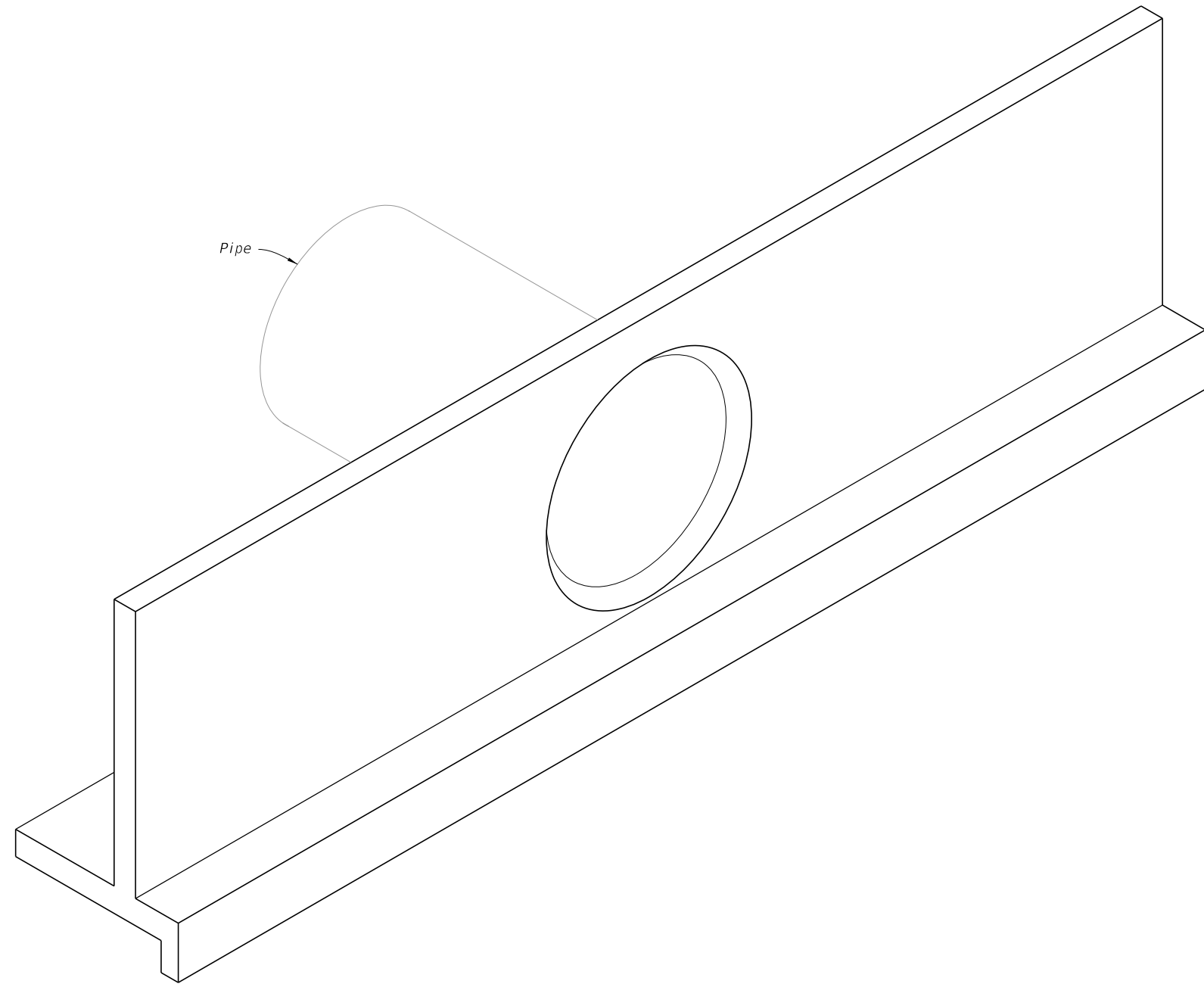


GENERAL NOTES:


1. Use Class II concrete.
2. Reinforcing steel is either Grade 40 or 60.
3. Endwalls may be cast in place or precast concrete. The Contractor or the Supplier will determine the additional reinforcement necessary for handling precast units.
4. Chamfer all exposed edges and corners $\frac{3}{4}$ " unless otherwise shown.
5. Quantities shown are for estimating purposes only.

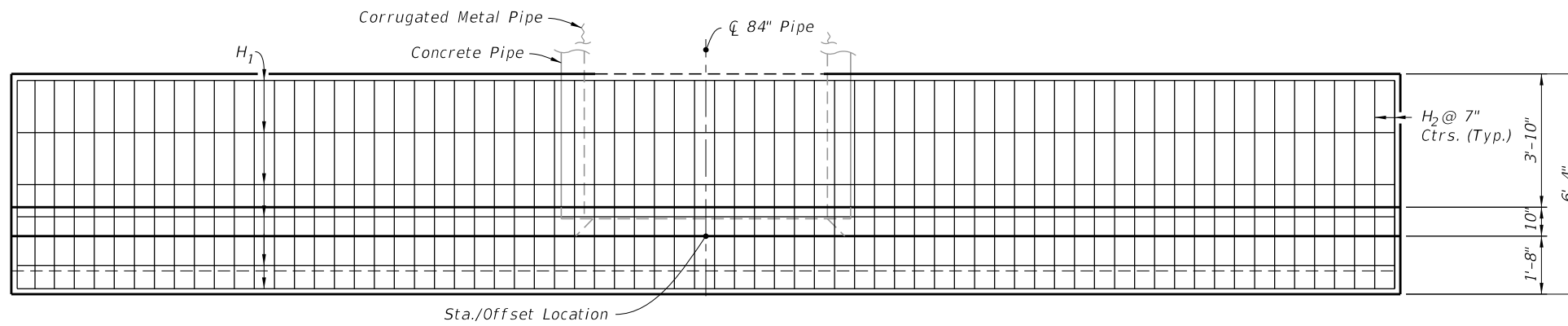
TABLE OF CONTENTS:	
Sheet	Description
1	General Notes and Contents
2	Single 84" Pipe Endwall Details



=====**STRAIGHT CONCRETE ENDWALL SINGLE 84" PIPE**=====

10/12/2020 7:20:21 AM

LAST REVISION 11/01/19	REVISION	DESCRIPTION:	 FY 2021-22 STANDARD PLANS	STRAIGHT CONCRETE ENDWALLS SINGLE 84" PIPE	INDEX 430-034	SHEET 1 of 2
---------------------------	----------	--------------	---	---	------------------	-----------------



PLAN
(Showing Bars In Footing)

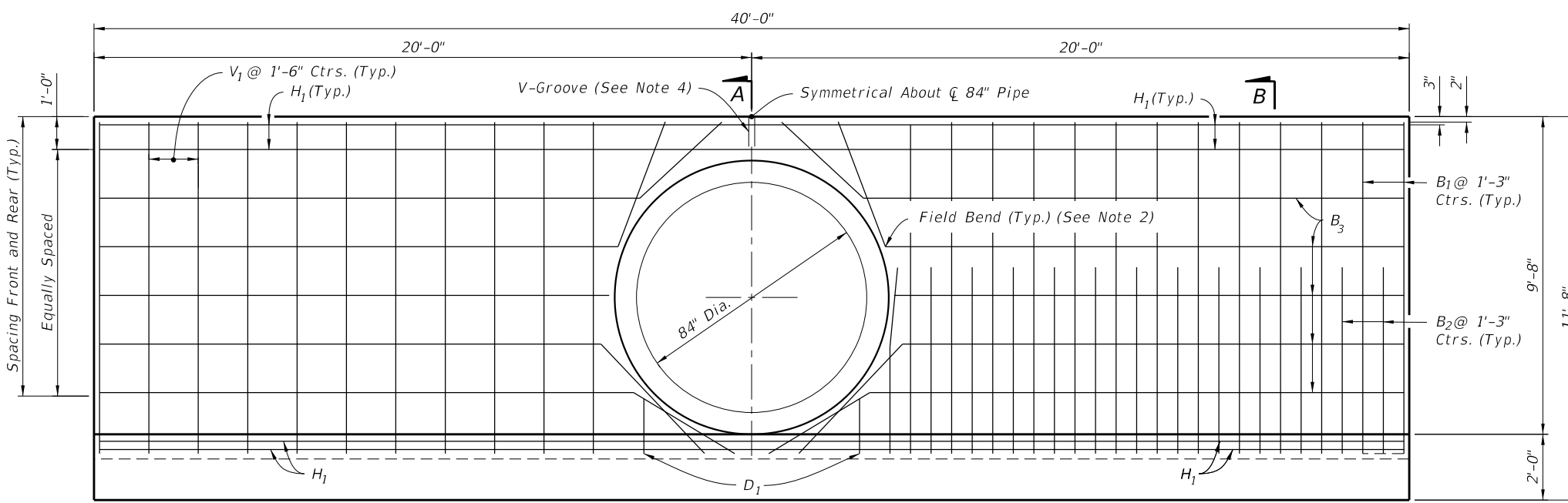
- NOTES:**
- 2" clearance on all reinforcement, unless otherwise shown.
 - Cut and/or bend B₃ Bars as shown.
 - All bar dimensions are out to out.
 - Install a 3/4" V-Groove at the top, front and back.

SINGLE 84" PIPE ENDWALL ESTIMATED QUANTITIES

ITEM	UNIT	RCP	CMP
Class II Concrete	Cu. Yd.	20.0	20.2
Reinforcing Steel	Lb.	2,095	2,095

BILL OF REINFORCING STEEL

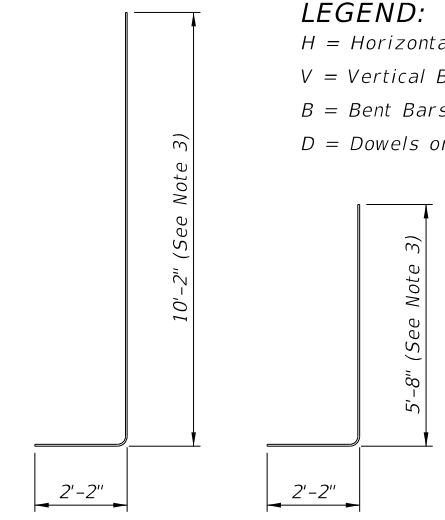
MARK	SIZE	NO. REQD.	LENGTH
H ₁	4	6	39'-8"
H ₂	6	69	6'-0"
V ₁	4	22	10'-2"
B ₁	6	26	12'-4"
B ₂	6	26	7'-10"
B ₃	4	14	39'-8"
D ₁	4	4	2'-0"



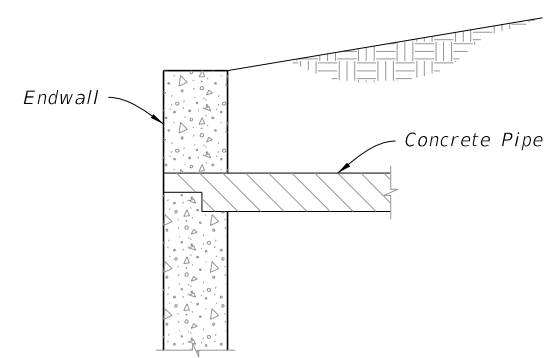
HALF ELEVATION
(Showing Bars in Front Face of Wall)

HALF ELEVATION
(Showing Bars in Back Face of Wall)

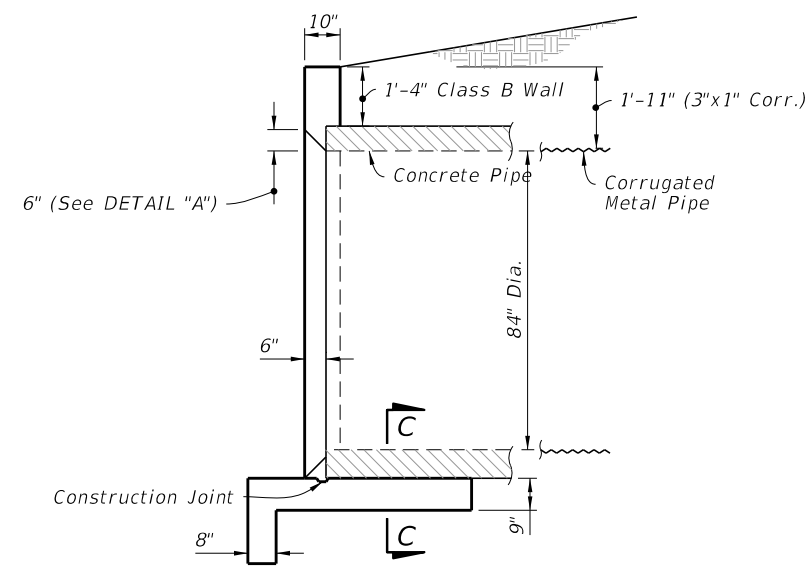
- LEGEND:**
- H = Horizontal Bars
 - V = Vertical Bars
 - B = Bent Bars
 - D = Dowels or Diagonal Bars



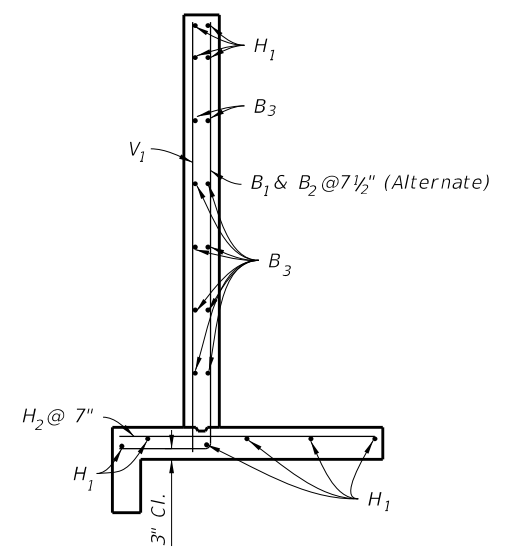
BAR B₁ BAR B₂
BENDING DIAGRAM



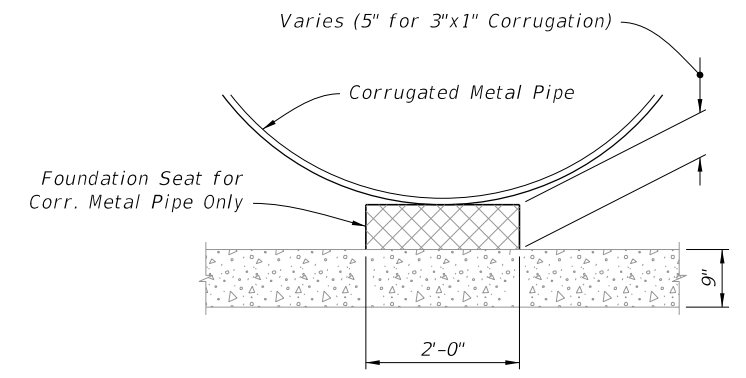
DETAIL "A"
(Concrete Pipe Optional Entrance)



SECTION A-A
(Rebar Not Shown)



SECTION B-B
(Typical Section)



SECTION C-C

SINGLE 84" PIPE ENDWALL DETAILS

10/12/2020 7:20:23 AM

LAST REVISION	DESCRIPTION:
11/01/19	

FY 2021-22
STANDARD PLANS

STRAIGHT CONCRETE ENDWALLS
SINGLE 84" PIPE

INDEX	SHEET
430-034	2 of 2