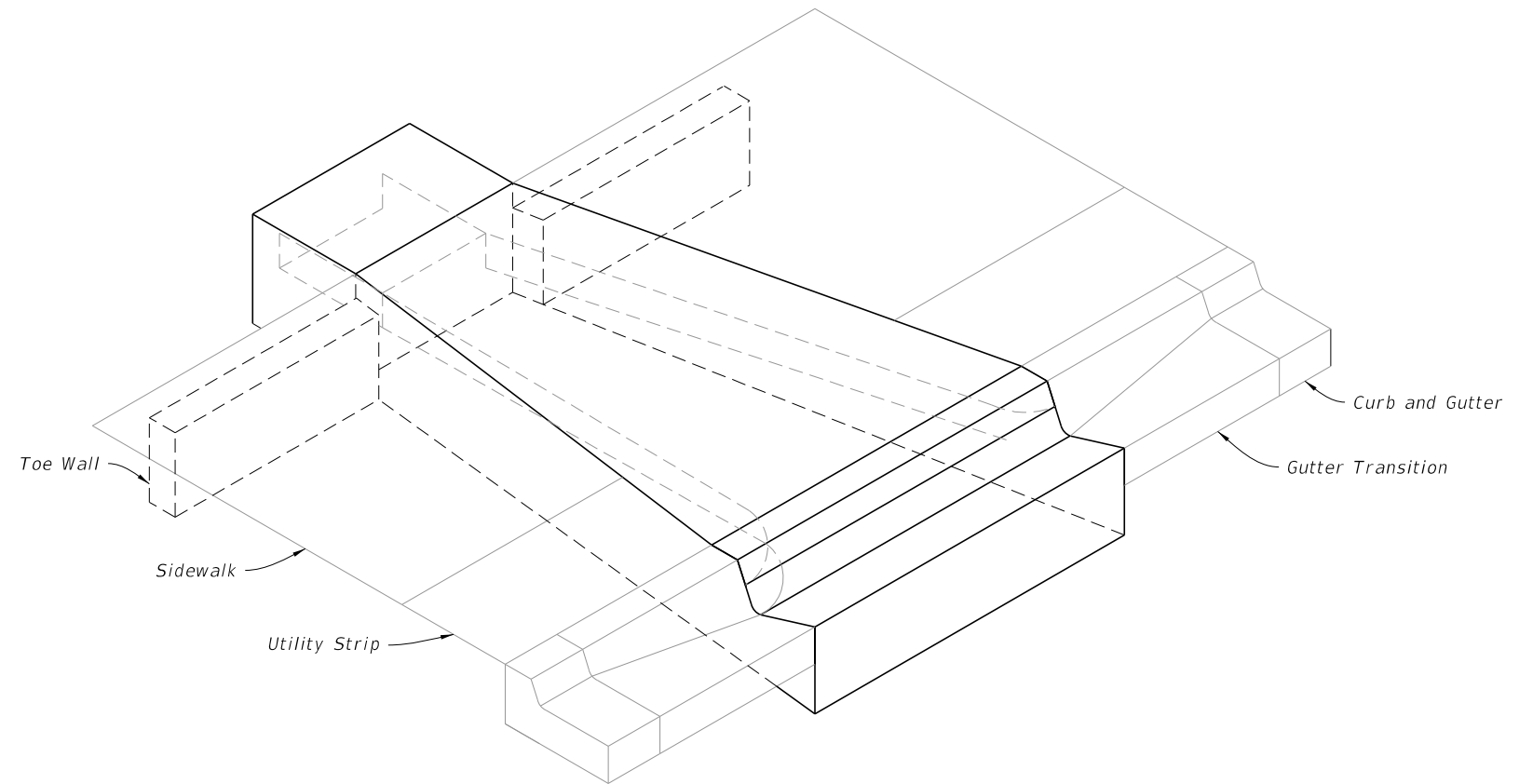


**GENERAL NOTES:**

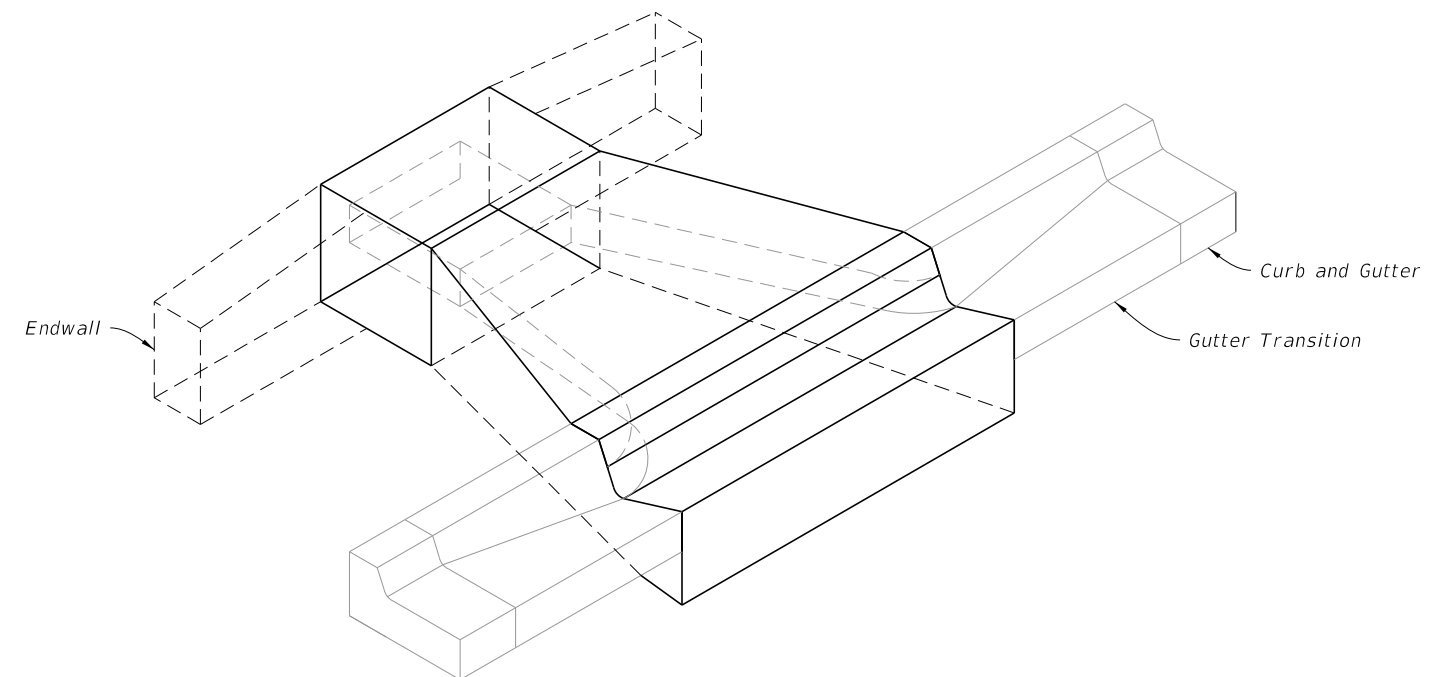
1. The finished grade and slope of the inlet top are to conform with the finished cross slope and grade of the proposed sidewalk and/or border.
2. When inlets are to be constructed on a curve, refer to the plans to determine the radius. Bend steel when necessary.
3. Inlets can be either cast-in-place or precast concrete. Chamfer all exposed edges  $\frac{3}{4}$ ".
4. All reinforcement is ASTM A615/A615M Grade 60 steel, either smooth or deformed with a 2" minimum cover, unless otherwise shown. Equivalent area grade 40 steel or 65 ksi welded wire fabric may be substituted.



**TYPE I CLOSED FLUME INLET WITH SIDEWALK**

*Single Barrel Flume Shown*

TABLE OF CONTENTS:	
Sheet	Description
1	General Notes and Contents
2	Type-I Dimensional Details
3	Reinforce Details
4	Type-II Dimensional Details
5	Multiple Barrel Flumes



**TYPE II CLOSED FLUME INLET WITHOUT SIDEWALK**

*Single Barrel Flume Shown*

10/12/2020 7:02:26 AM

LAST REVISION  
11/01/20

REVISION

DESCRIPTION:

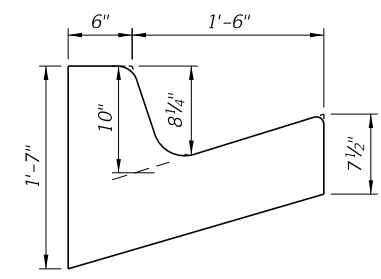
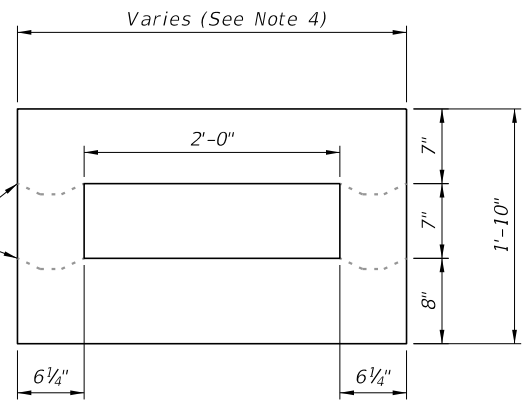
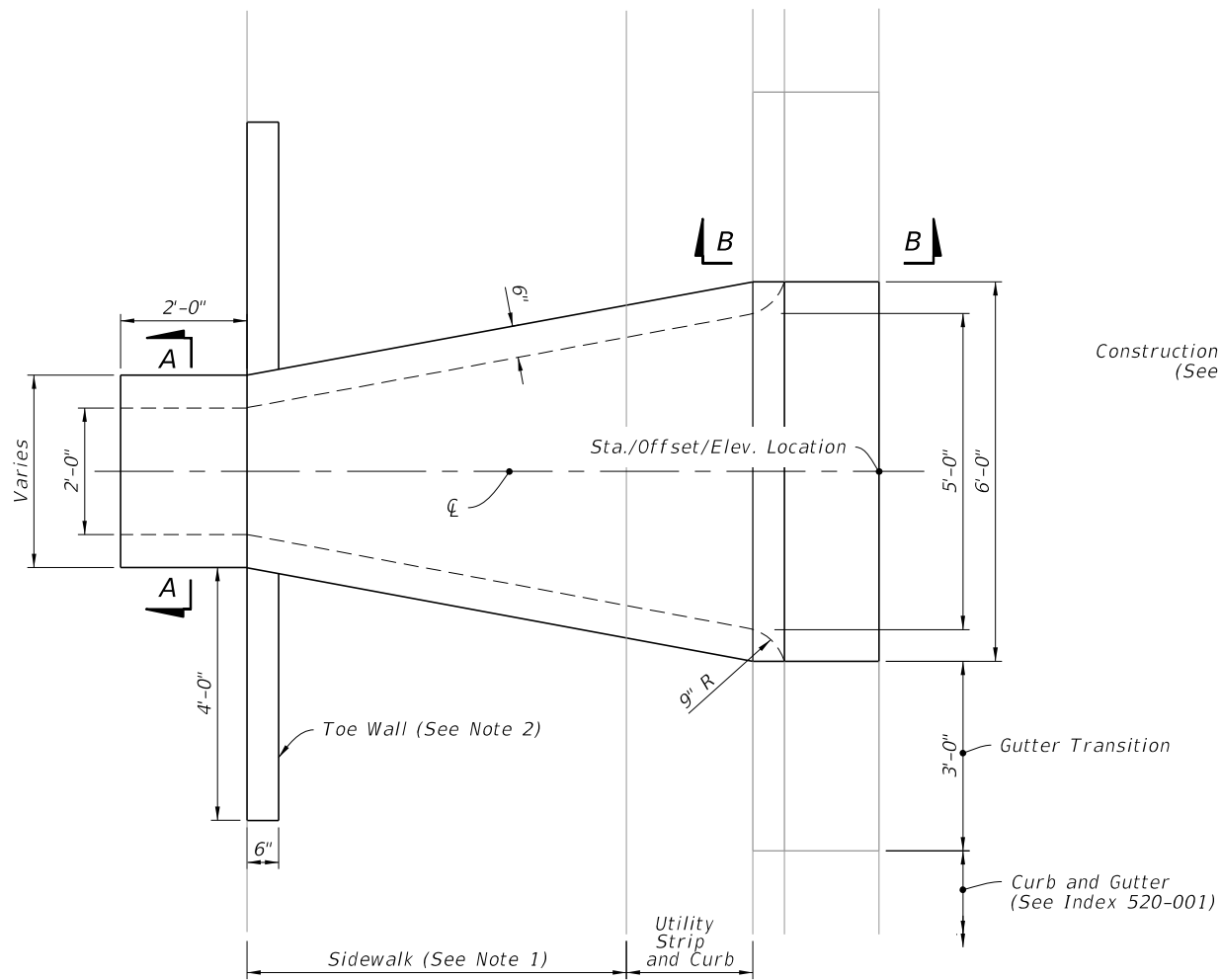


FY 2021-22  
STANDARD PLANS

CLOSED FLUME INLET

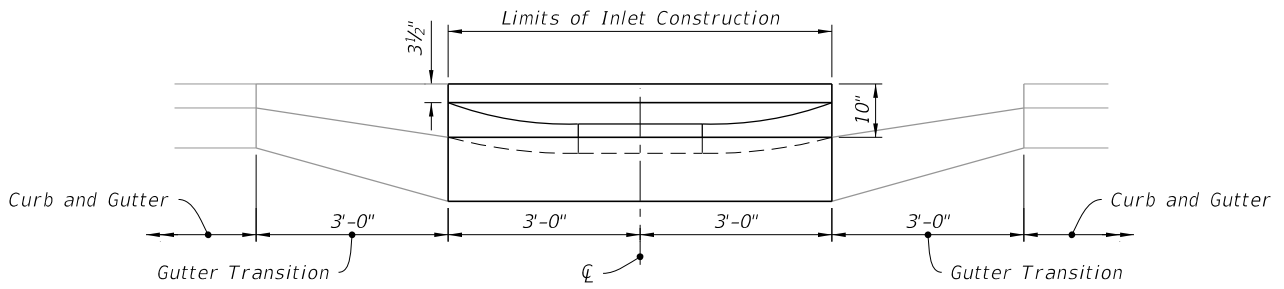
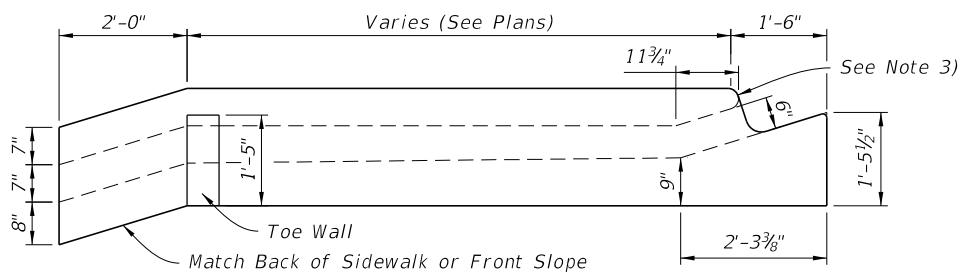
INDEX  
425-061

SHEET  
1 of 5



**NOTES:**

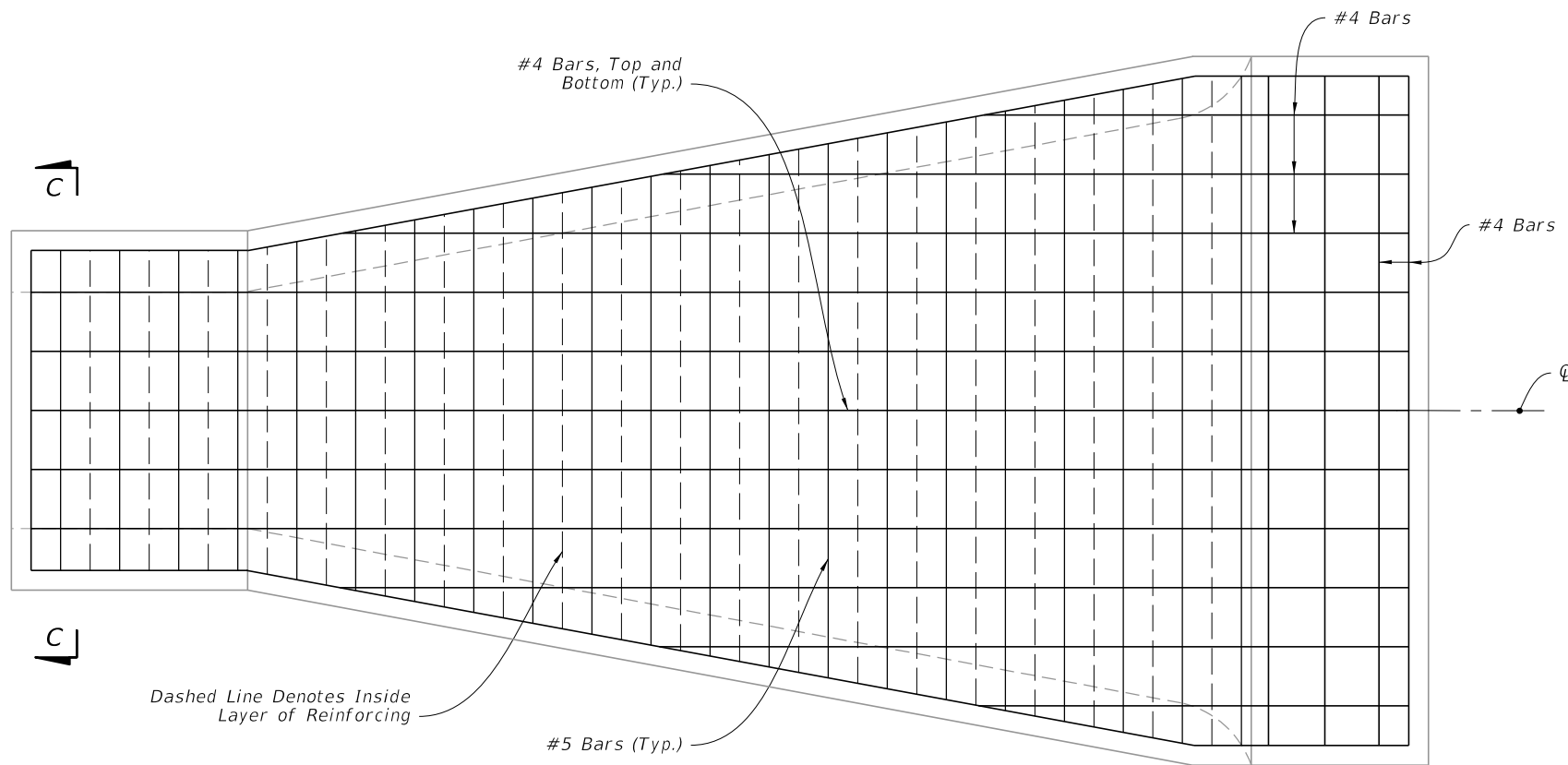
1. Use sloped section with sidewalk applications only.
2. Use Toe Walls with Sidewalk application only. For Endwall without Sidewalk see DETAILS on Sheet 4.
3. Slope to match adjacent curb with 2" top radius and 1 1/4" bottom radius.
4. Varies from 3'-1/2" to 6'-0" for single barrel flume. See Sheet 5 for multiple barrel flumes span variation.



10/12/2020 7:02:28 AM

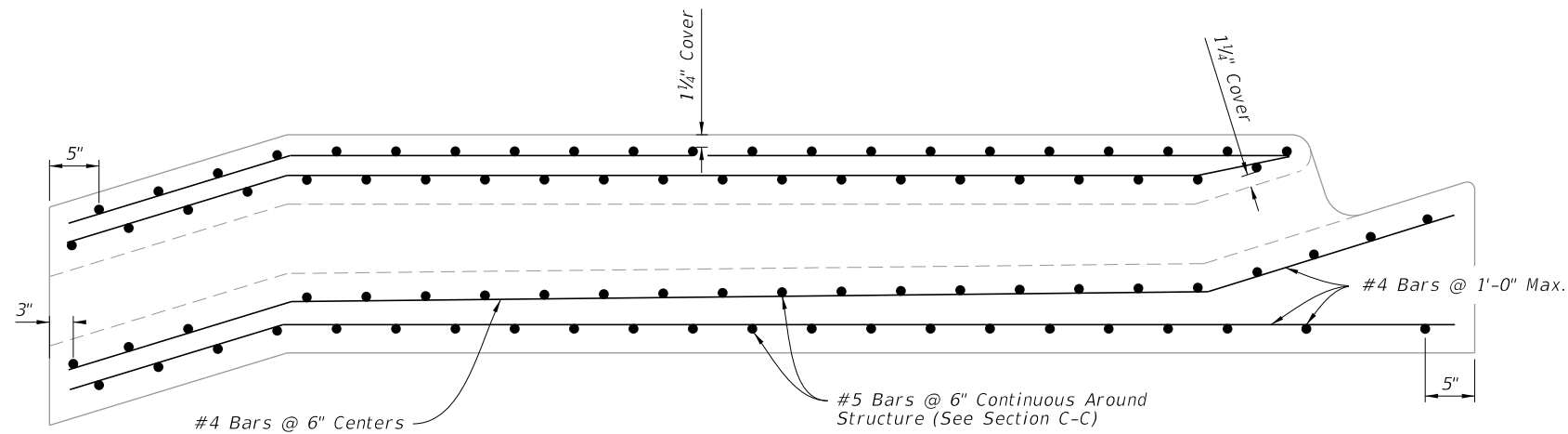
**TYPE-I DIMENSIONAL DETAILS**

LAST REVISION 11/01/20	REVISION	DESCRIPTION:		FY 2021-22 STANDARD PLANS	CLOSED FLUME INLET	INDEX 425-061	SHEET 2 of 5
---------------------------	----------	--------------	--	------------------------------	--------------------	------------------	-----------------

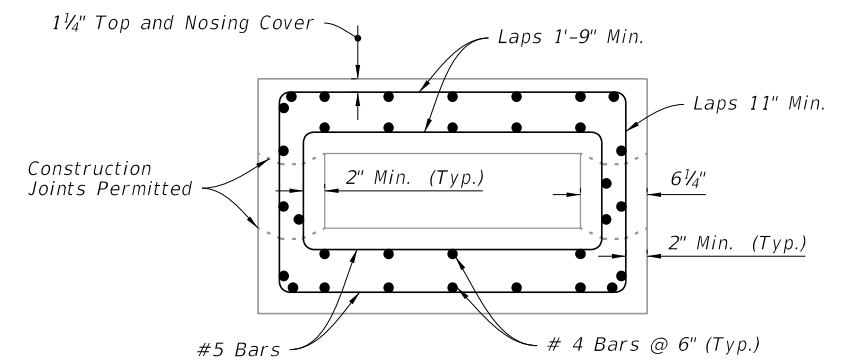


PLAN

**NOTE:**  
Type I Closed Flume Inlet shown, Type II Closed Flume Inlet Similar.



SIDE ELEVATION



SECTION C-C

10/12/2020 7:02:29 AM

**REINFORCING DETAILS**

LAST REVISION 11/01/20	REVISION	DESCRIPTION:
---------------------------	----------	--------------

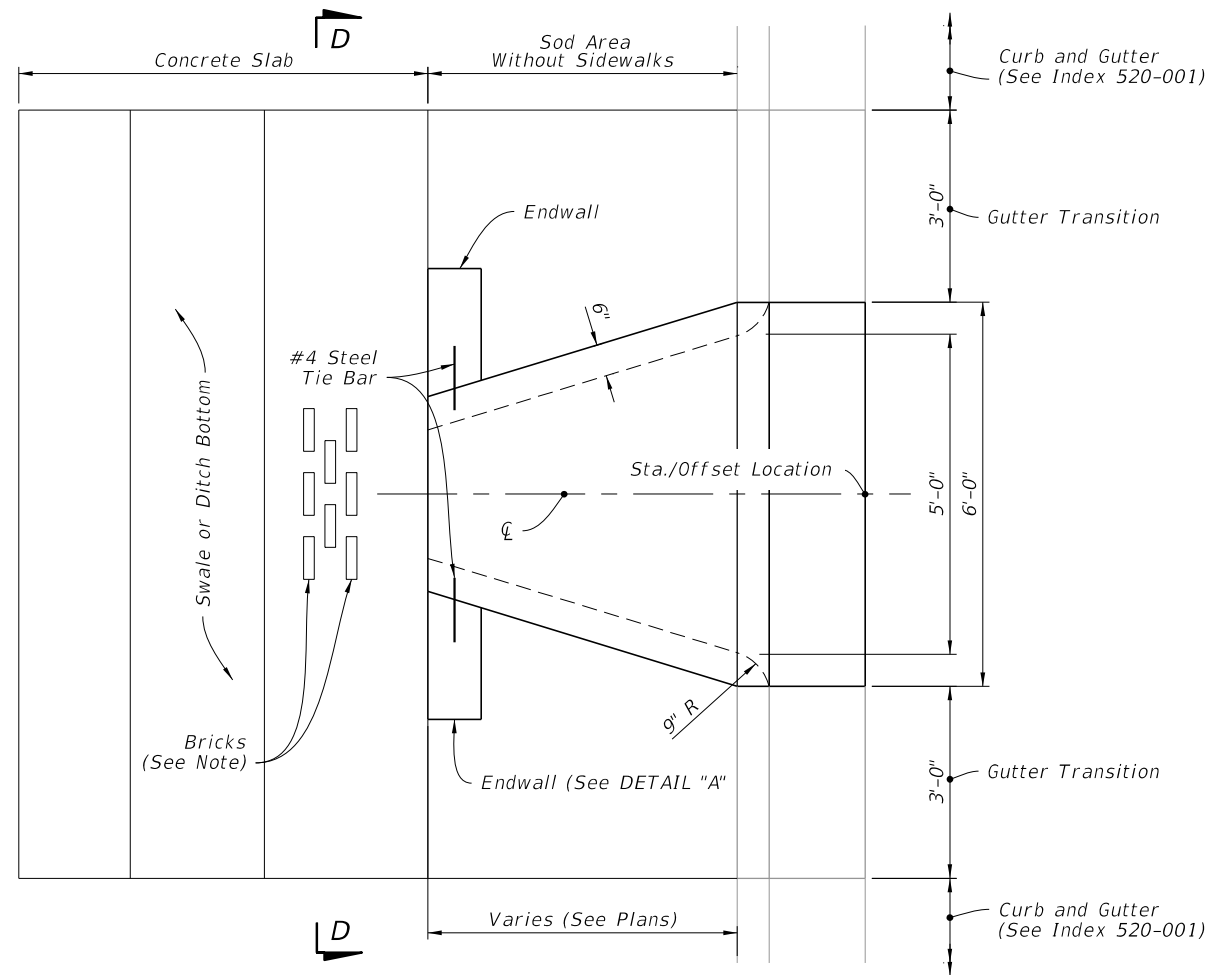


FY 2021-22  
STANDARD PLANS

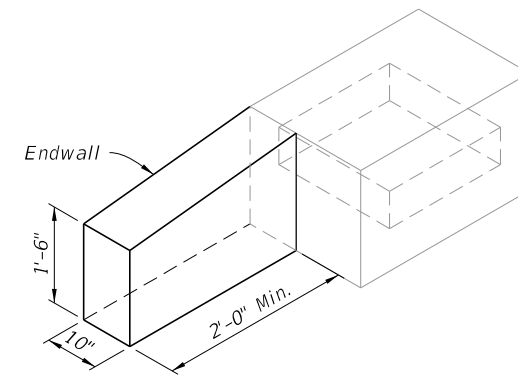
CLOSED FLUME INLET

INDEX  
425-061

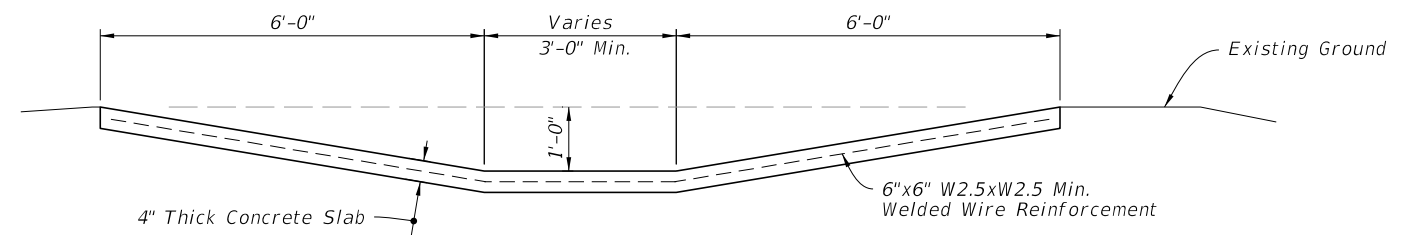
SHEET  
3 of 5



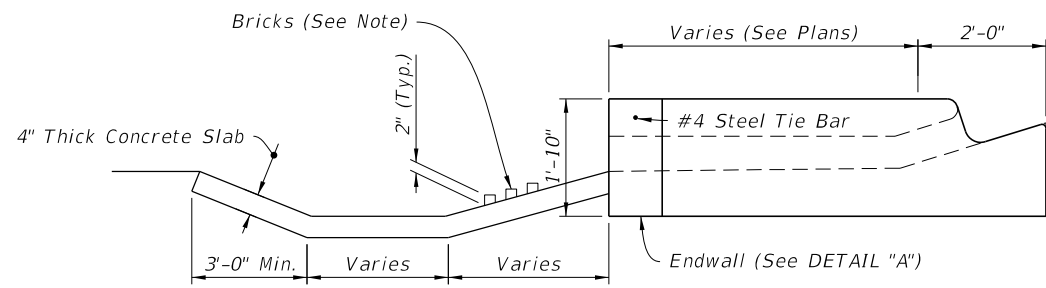
PLAN



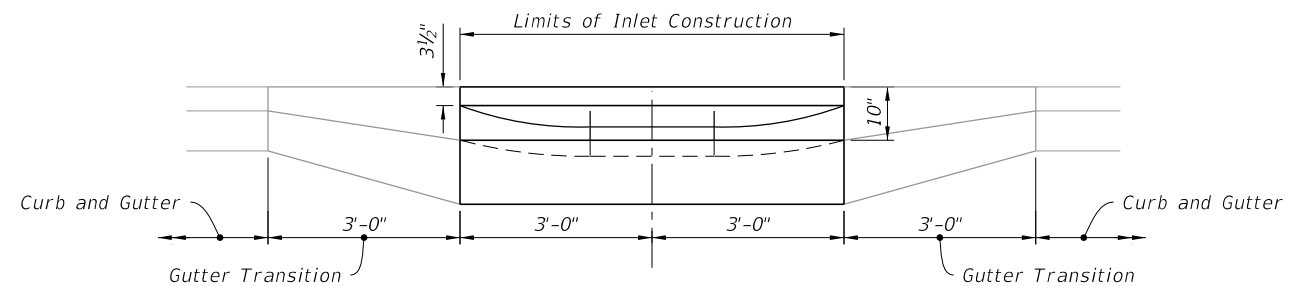
DETAIL "A"



SECTION D-D



SIDE ELEVATION



FRONT ELEVATION

**NOTE:**  
When called for in the Plans, install bricks to dissipate energy.

TYPE II DIMENSIONAL DETAILS

10/12/2020 7:02:32 AM

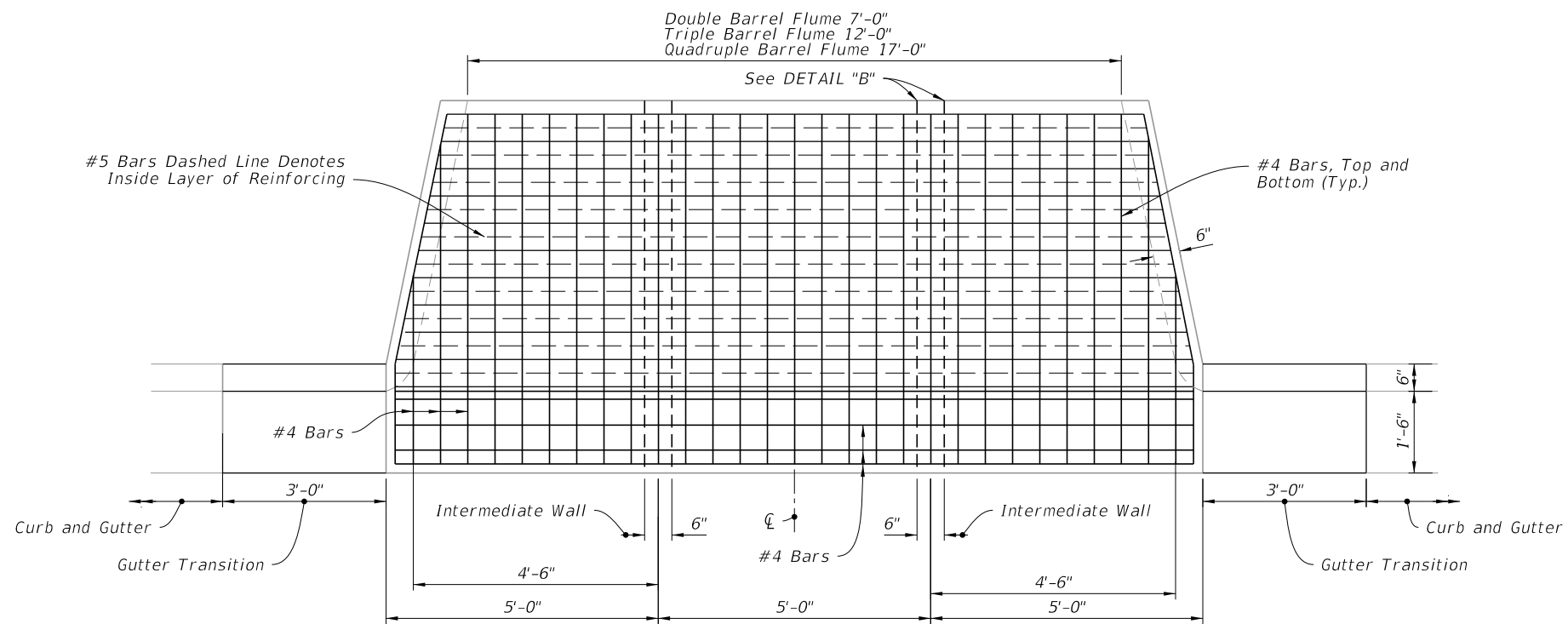
LAST REVISION 11/01/20	DESCRIPTION:
---------------------------	--------------


**FY 2021-22  
STANDARD PLANS**

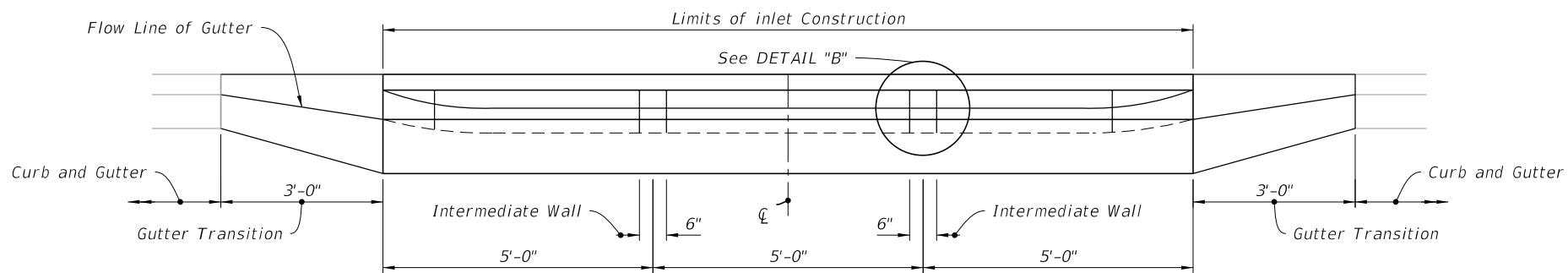
**CLOSED FLUME INLET**

INDEX 425-061	SHEET 4 of 5
------------------	-----------------

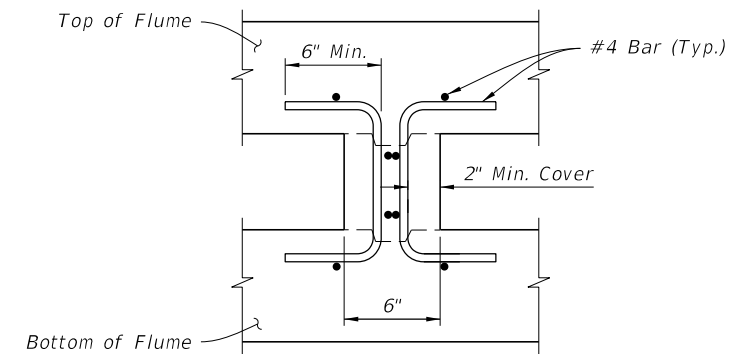
10/12/2020 7:02:34 AM



PLAN



FRONT ELEVATION



Intermediate Wall Reinforcing  
 DETAIL "B"

**NOTE:**

Triple barrel flume shown, double and quadruple similar.

**MULTIPLE BARREL FLUMES**

LAST REVISION 11/01/20	REVISION	DESCRIPTION:
---------------------------	----------	--------------



FY 2021-22  
 STANDARD PLANS

CLOSED FLUME INLET

INDEX  
 425-061

SHEET  
 5 of 5