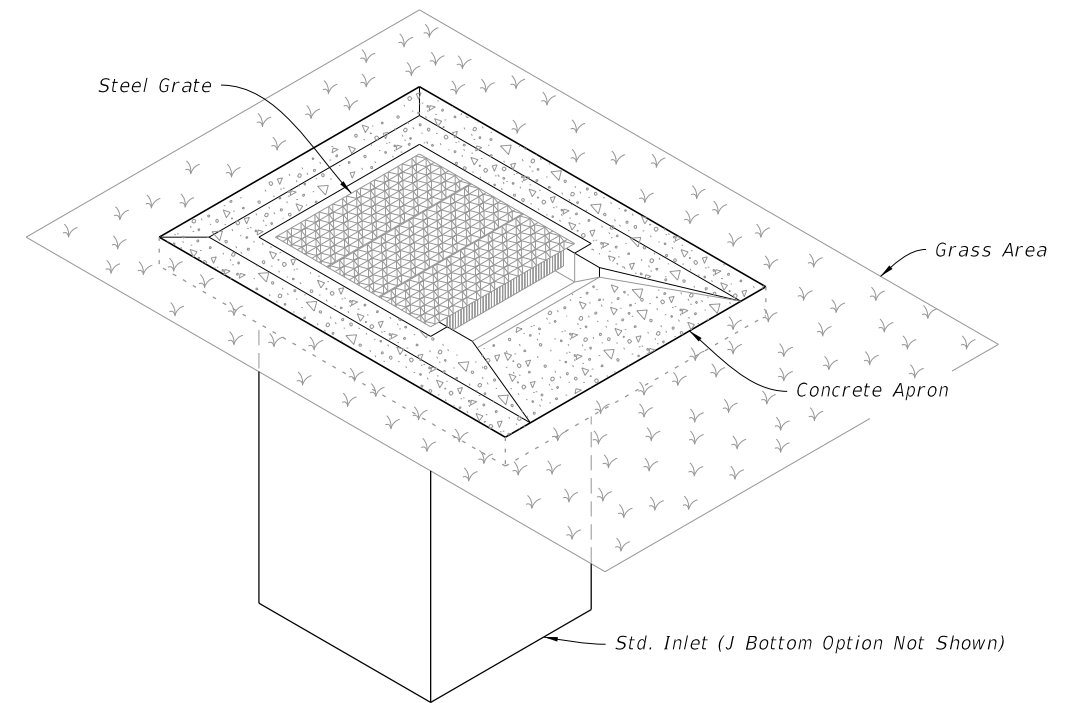


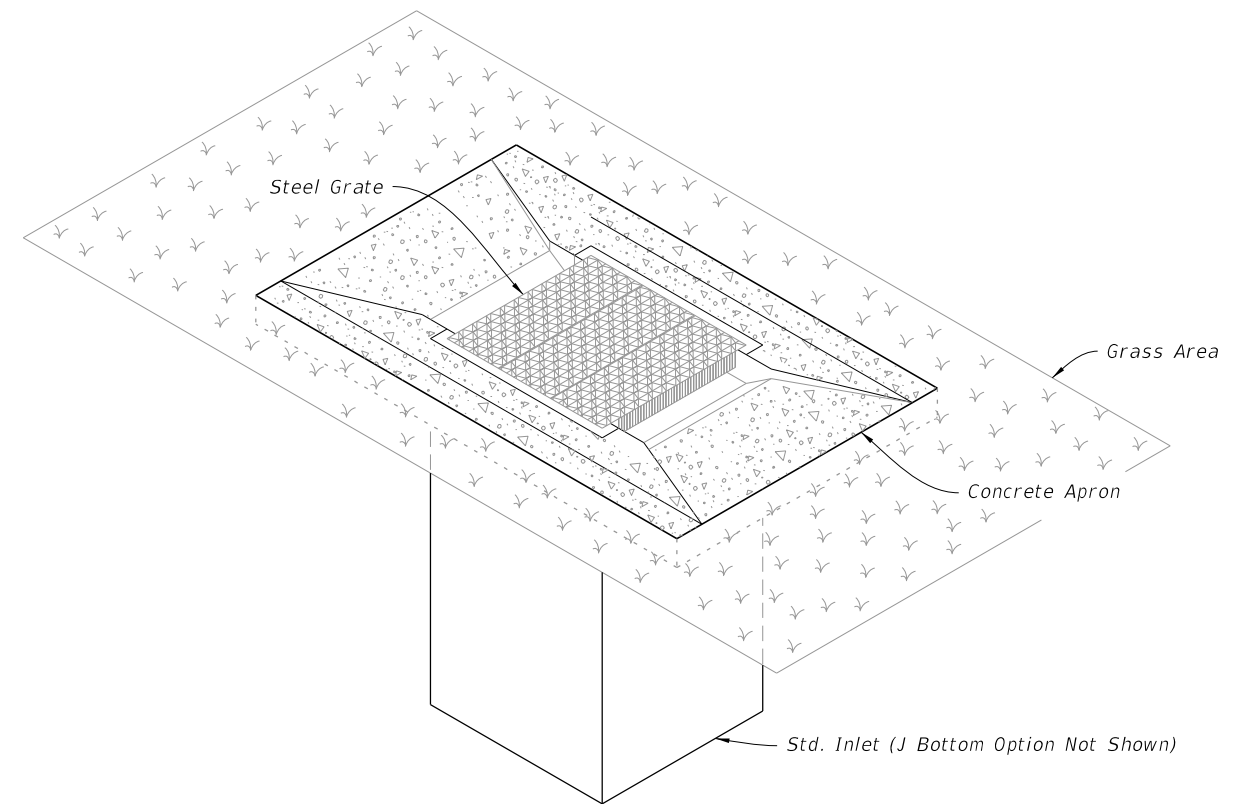
GENERAL NOTES:

1. Work this Index with Index 425-001 and Index 425-010.
2. All reinforcing is Grade 60 bars with 2" minimum cover unless otherwise noted. See Index 425-001 for equivalent area of welded wire fabric. Bars to be cut or bent for min. 1½" clearance around pipe.
3. Chamfer all exposed edges and corners ¾" or tooled to ¼" radius.
4. Dimensions are for both precast and cast-in-place inlets unless otherwise noted.
5. Quantities are for informational and estimating purposes only.

TABLE OF CONTENTS:	
Sheet	Description
1	General Notes and Contents
2	Dimensional, Reinforcing, and Grate Details
3	Traversable Top Details
4	Concrete Apron and Sodded Area Details
5	Alternate A Structure Bottom - Top Slab Details

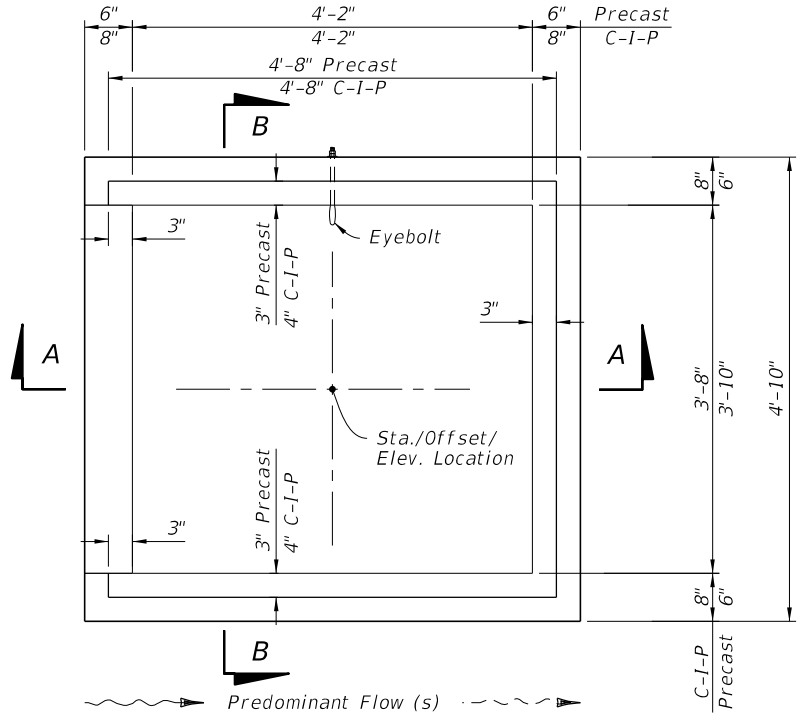


SINGLE SLOT INLET
(Pipe Connection Not Shown)

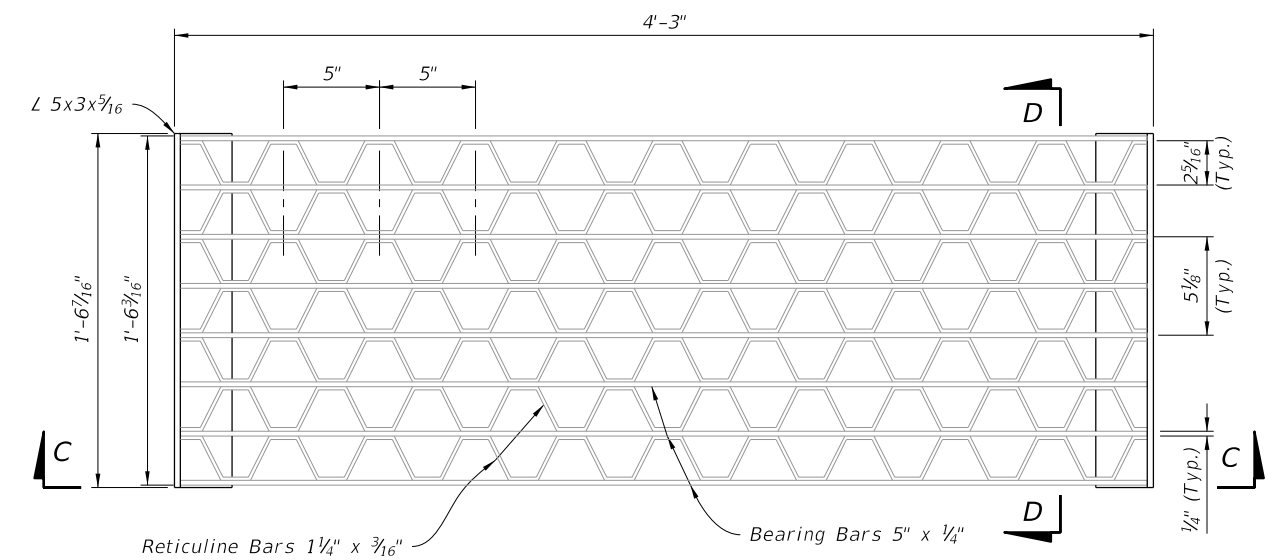


DOUBLE SLOT INLET
(Pipe Connection Not Shown)

10/12/2020 6:51:53 AM



PLAN

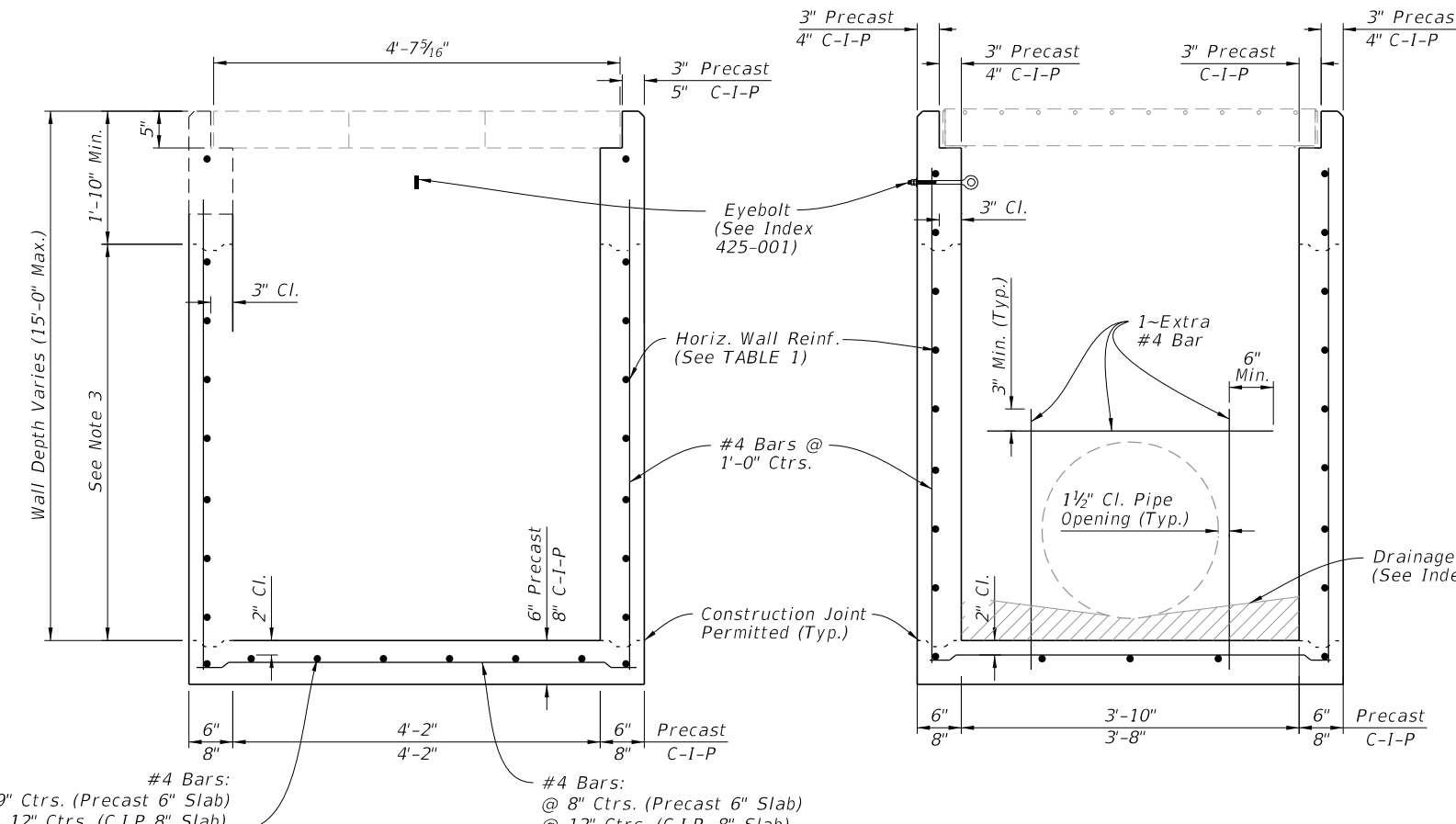


PLAN

SECTION C-C

SECTION D-D

STEEL GRATE DETAILS



SECTION A-A
(Pipe Opening Not Shown)

SECTION B-B
(Pipe Opening Shown)

DIMENSIONAL AND REINFORCING DETAILS

TABLE 1
HORIZONTAL WALL REINFORCING SCHEDULE

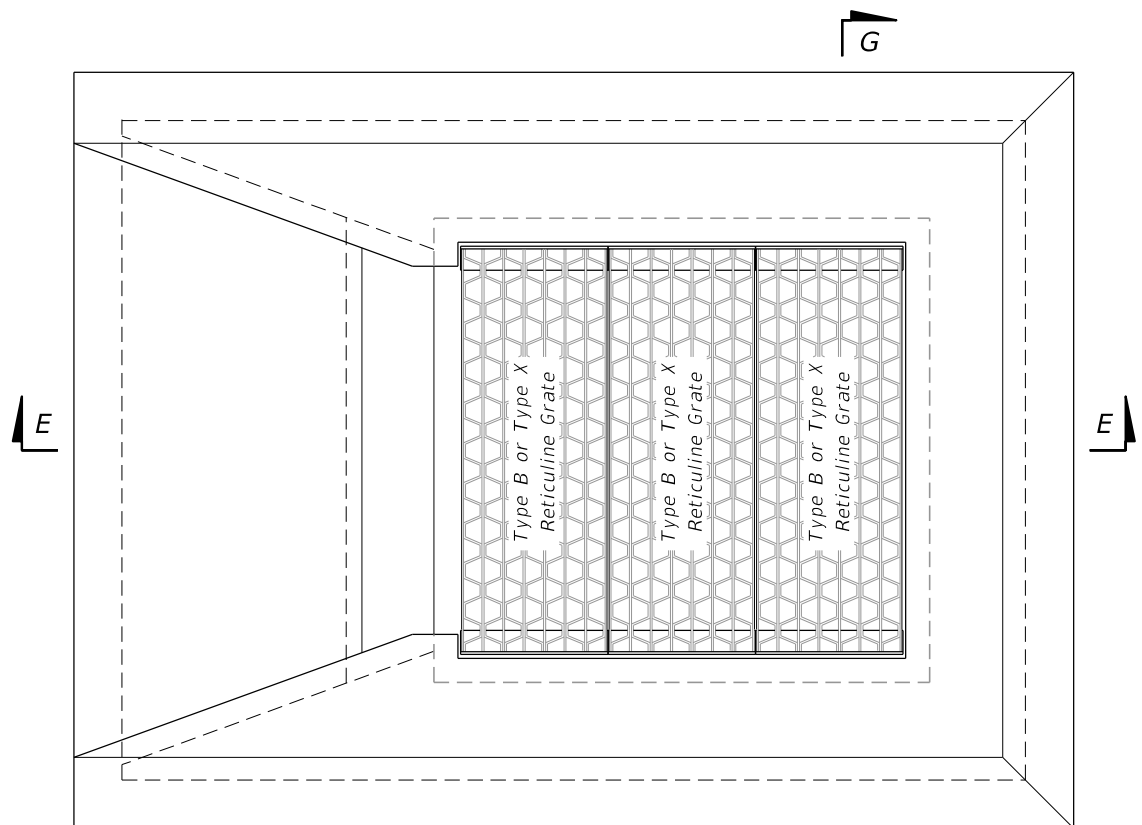
WALL DEPTH	SCHEDULE	AREA (in. ² /ft.)	MAX. SPACING	
			BARS	WWR
0' - 5'	A12	0.200	12"	8"
5' - 9'	A6	0.200	6"	5"
9' - 13'	B5.5	0.240	5 1/2"	5"
13' - 15'	Special	0.267	5"	4"

- NOTES:**
1. Plan View; grate, apron, slots and sod not shown.
 2. See Sheet 3 for apron and traversable slot details.
 3. Construction joints permitted between these limits. See Index 425-001 for minimum dimensions.

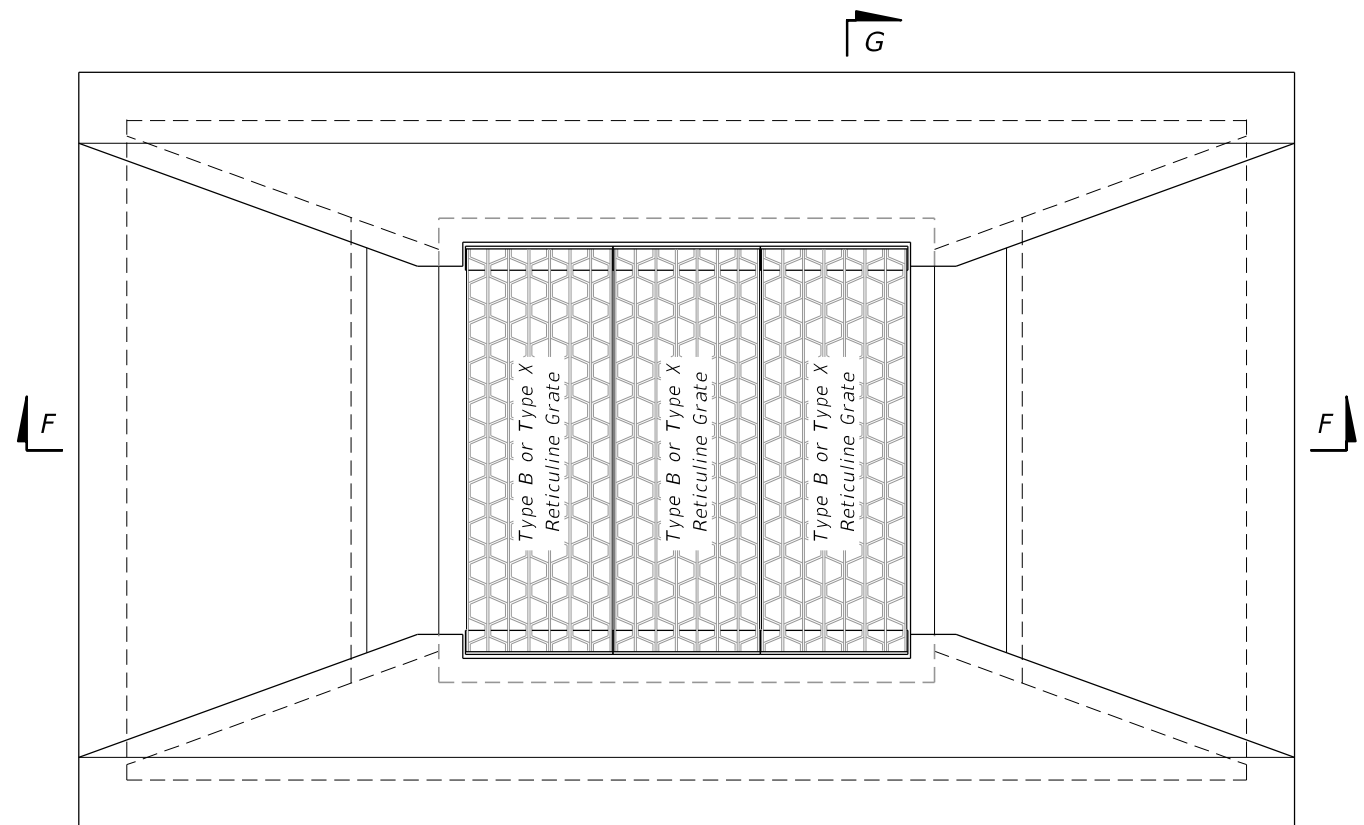
DIMENSIONAL, REINFORCING, AND GRATE DETAILS

10/12/2020 6:51:55 AM

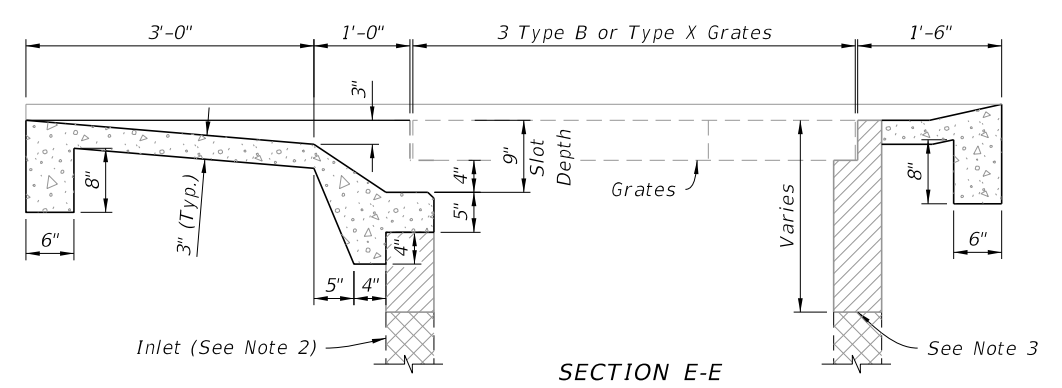
LAST REVISION 11/01/20	DESCRIPTION:
---------------------------	--------------



PLAN

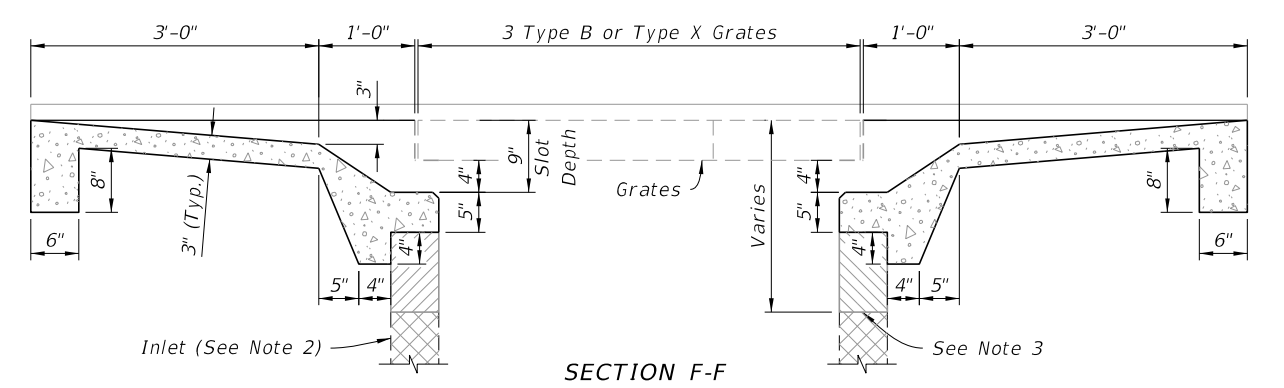


PLAN



SECTION E-E

SINGLE SLOT

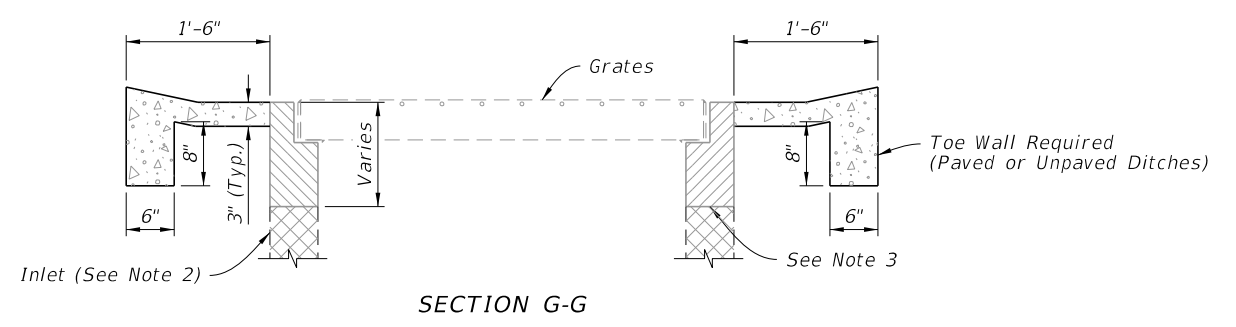


SECTION F-F

DOUBLE SLOT

NOTES:

1. These traversable tops are for new or existing Type B Inlets and for conversion of existing Type X Inlets.
2. Inlet box (line type indicates existing box to facilitate depiction of partial construction on existing inlets)
3. On new boxes the traversable top may be cast as a monolithic unit or cast in segments, and the location of this line may be lower to facilitate handling and placement; however, the slot depth is to remain at 9 inches. See Index 425-001 for top to wall connection. For converting to traversable tops on existing inlets remove concrete to this line and expose the existing reinforcement. Reshape or splice in reinforcement to penetrate the rim and returns of the grate seat, and bend the reinforcement into the slot shelf to extend into the abutting throat pavement.
4. See Sheet 2 for Precast and C-I-P dimensions.



SECTION G-G

TRAVERSABLE TOP DETAILS

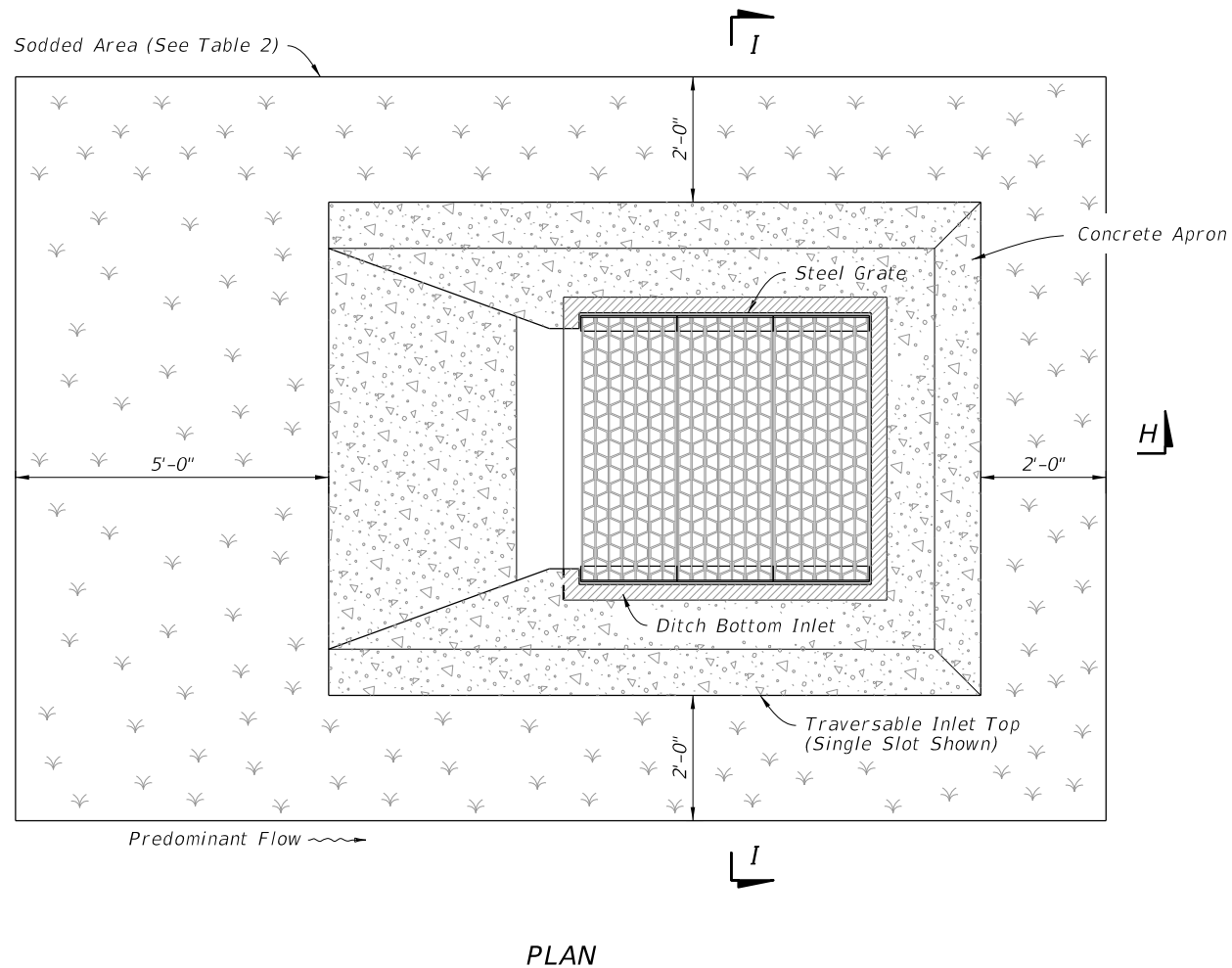
10/12/2020 6:52:00 AM

LAST REVISION 11/01/20	DESCRIPTION:
---------------------------	--------------

**FY 2021-22
STANDARD PLANS**

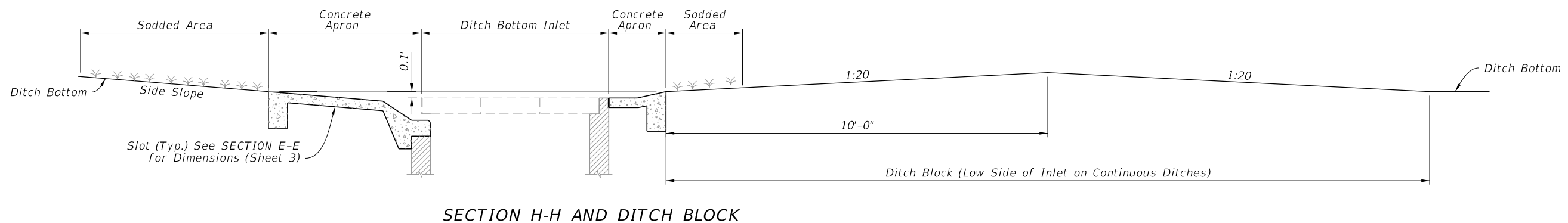
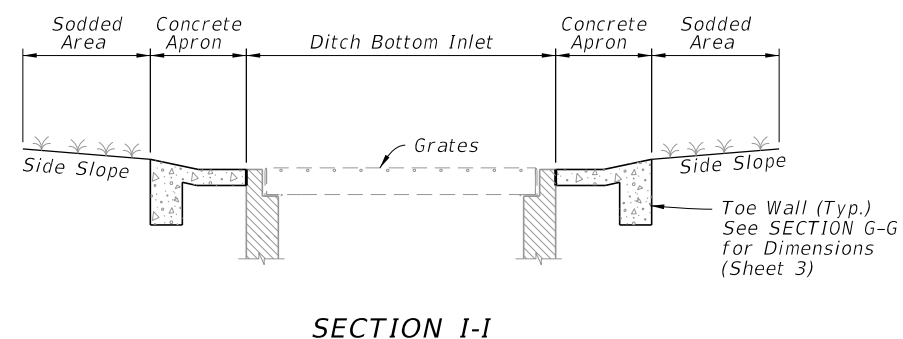
DITCH BOTTOM INLET TYPE B

INDEX 425-051	SHEET 3 of 5
------------------	-----------------



**TABLE 2
ESTIMATED QUANTITIES**

SLOT TYPE	Concrete Apron		SOD
	SY	CY	SY
Single	6.2	0.9	14
Double	8.1	1.1	19



CONCRETE APRON AND SODDED AREA DETAILS

10/12/2020 6:52:03 AM

LAST REVISION	DESCRIPTION:
11/01/20	



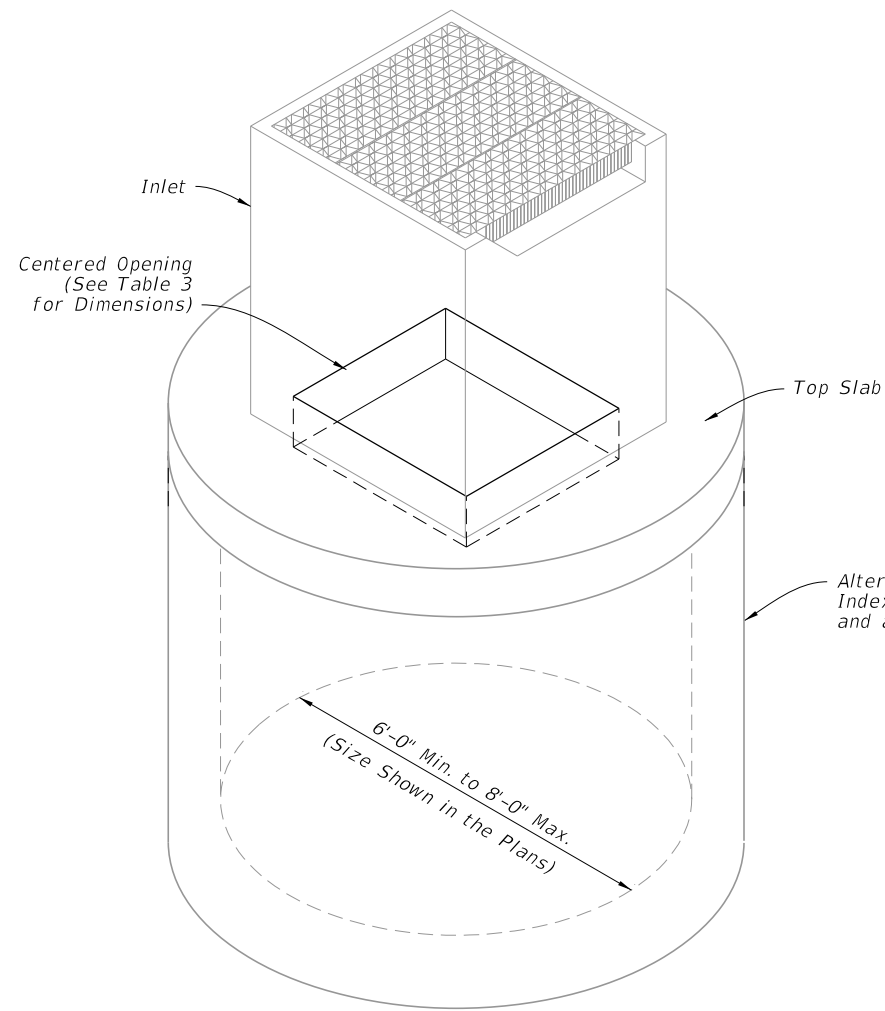
FY 2021-22
STANDARD PLANS

DITCH BOTTOM INLET TYPE B

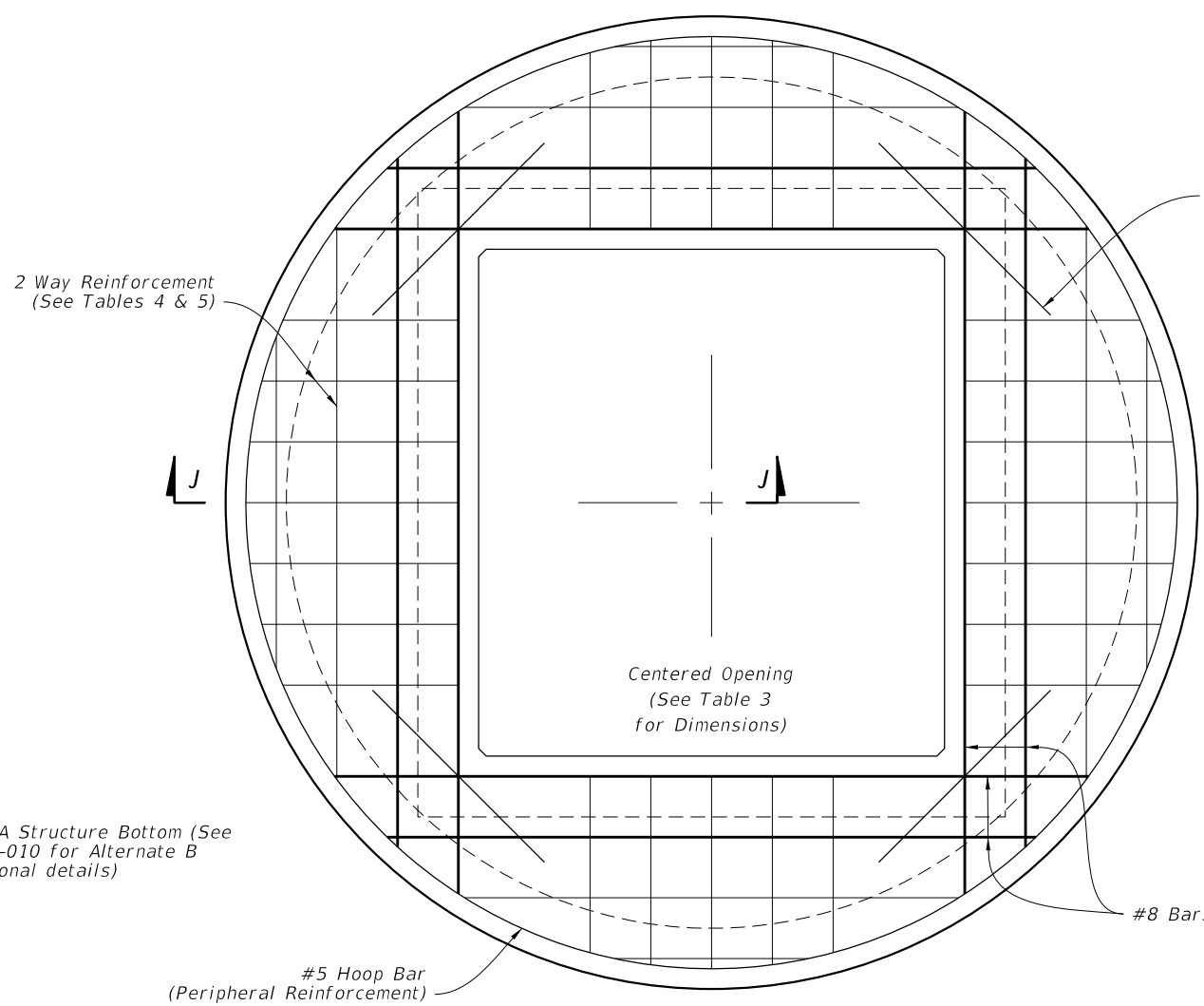
INDEX
425-051

SHEET
4 of 5

10/12/2020 6:52:08 AM

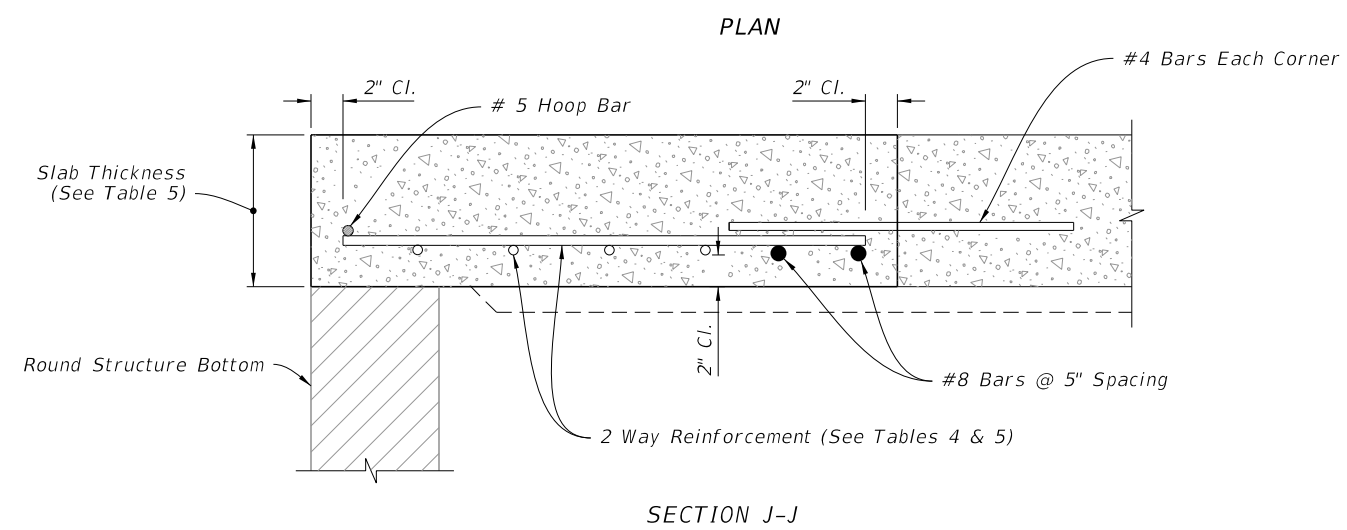


DIAMETER	OPENING SIZE	
	Min.	Max.
6'-0" to 8'-0"	3'-8" x 4'-2"	3'-10" x 4'-2"



SCHEDULE	GRADE 60 (BAR) OR 65 KSI & 70 KSI (WIRE FABRIC) In. ² /ft.
A	0.20
B	0.24
C	0.37
D	0.53
E	0.73
F	1.06
G	1.45

STRUCTURE DEPTH	SLAB THICKNESS	REINFORCING (2 WAY) SCHEDULE
SIZE: 6'-0"		
0.5' < 8'	9 1/2"	B
8' < 18'	9 1/2"	C
18' < 30'	9 1/2"	D
30' < 37'	9 1/2"	E
37' - 40'	9 1/2"	G
SIZE: 8'-0"		
≥ 0.5' < 9'	11 1/2"	C
9' < 15'	11 1/2"	D
15' < 23'	11 1/2"	E
23' < 33'	11 1/2"	E
33' - 40'	11 1/2"	G



ISOMETRIC VIEW

TOP SLAB REINFORCMENT DETAILS

ALTERNATE A STRUCTURE BOTTOM - TOP SLAB DETAILS

LAST REVISION	DESCRIPTION:
11/01/20	

**FY 2021-22
STANDARD PLANS**

DITCH BOTTOM INLET TYPE B

INDEX	SHEET
425-051	5 of 5