

**GENERAL NOTES:**

1. Work this Index with Index 425-001 and Index 425-010.
2. All reinforcing is Grade 60 bars with 2" minimum cover unless otherwise noted. Cut or bend bars out of way of pipe to clear pipe by 1½". See Index 425-001 for equivalent area of welded wire fabric.
2. Chamfer all exposed edges and corners ¾" or tooled to ¼" radius.
4. All dimensions are for both precast and cast-in-place inlets unless otherwise noted.
5. Quantities are for informational and estimating purposes only.

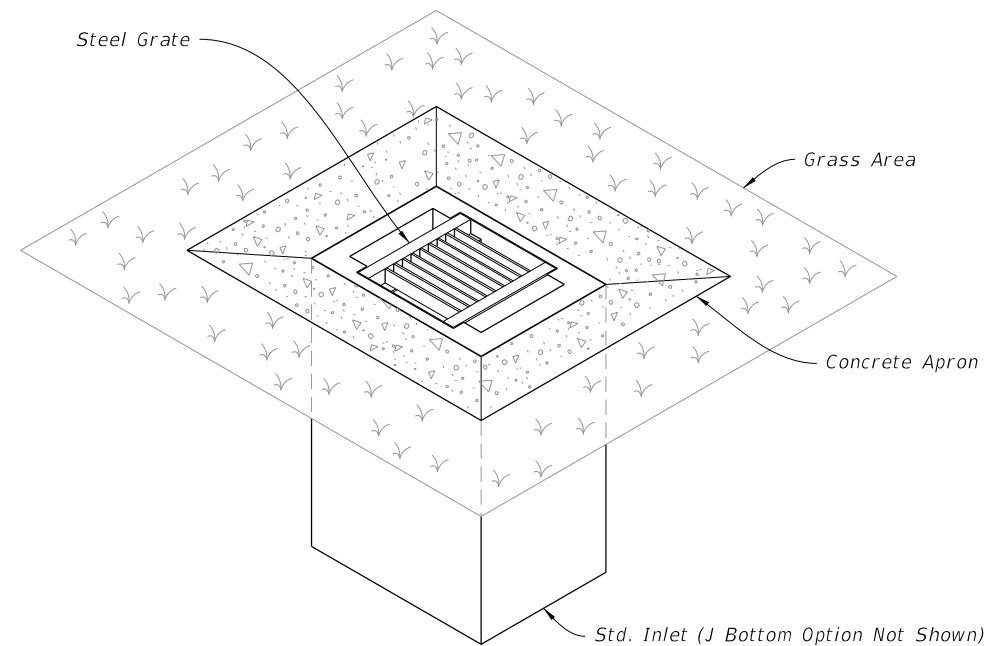
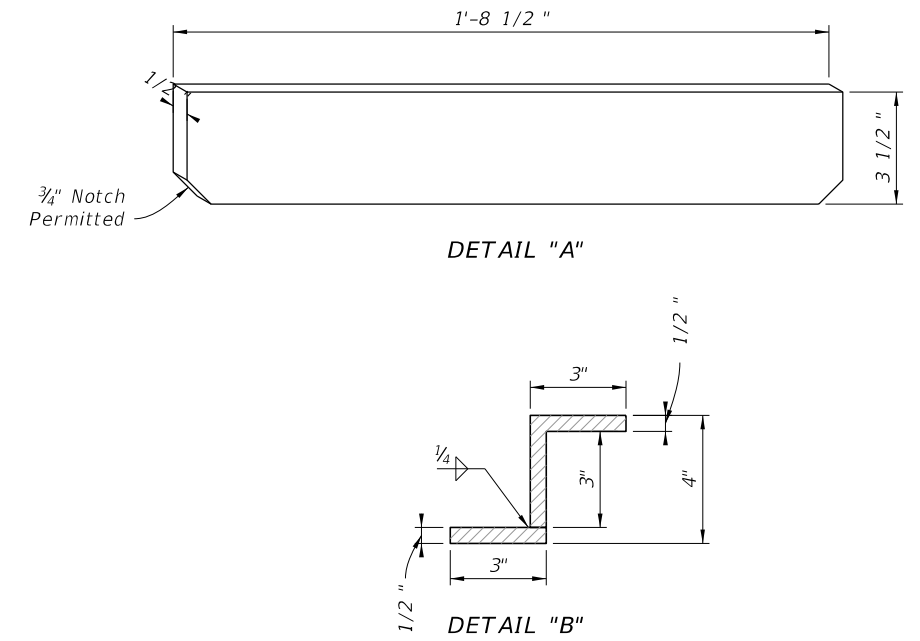
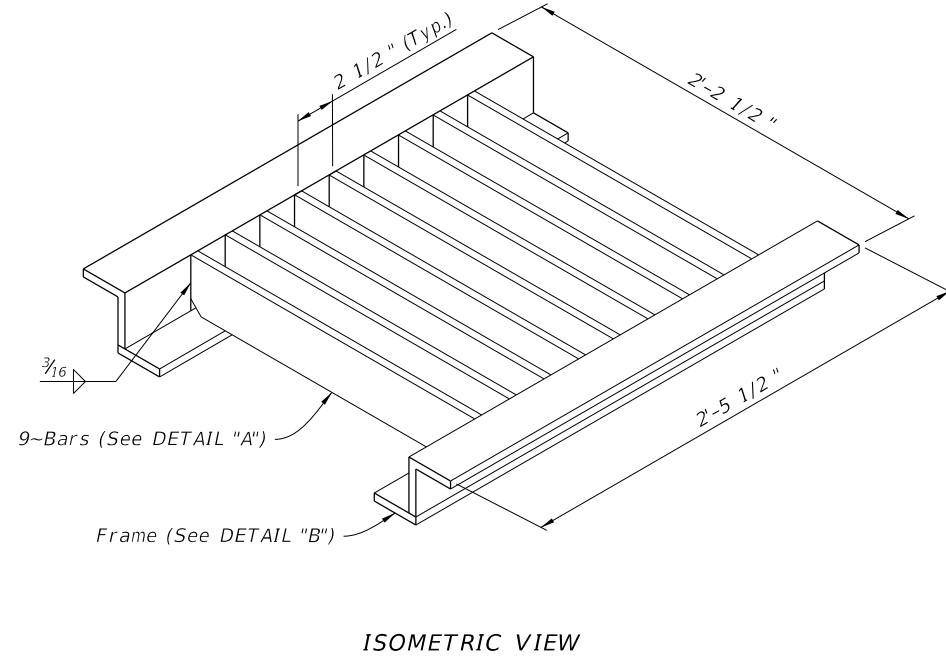
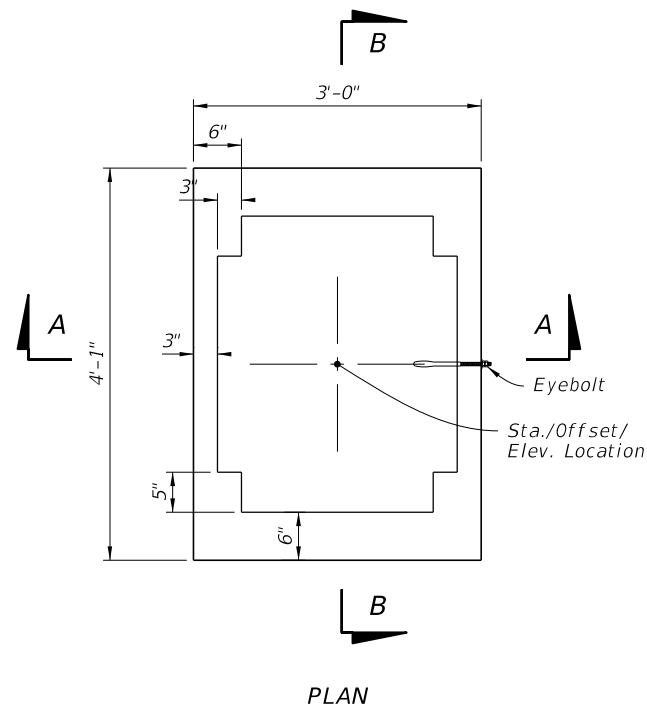


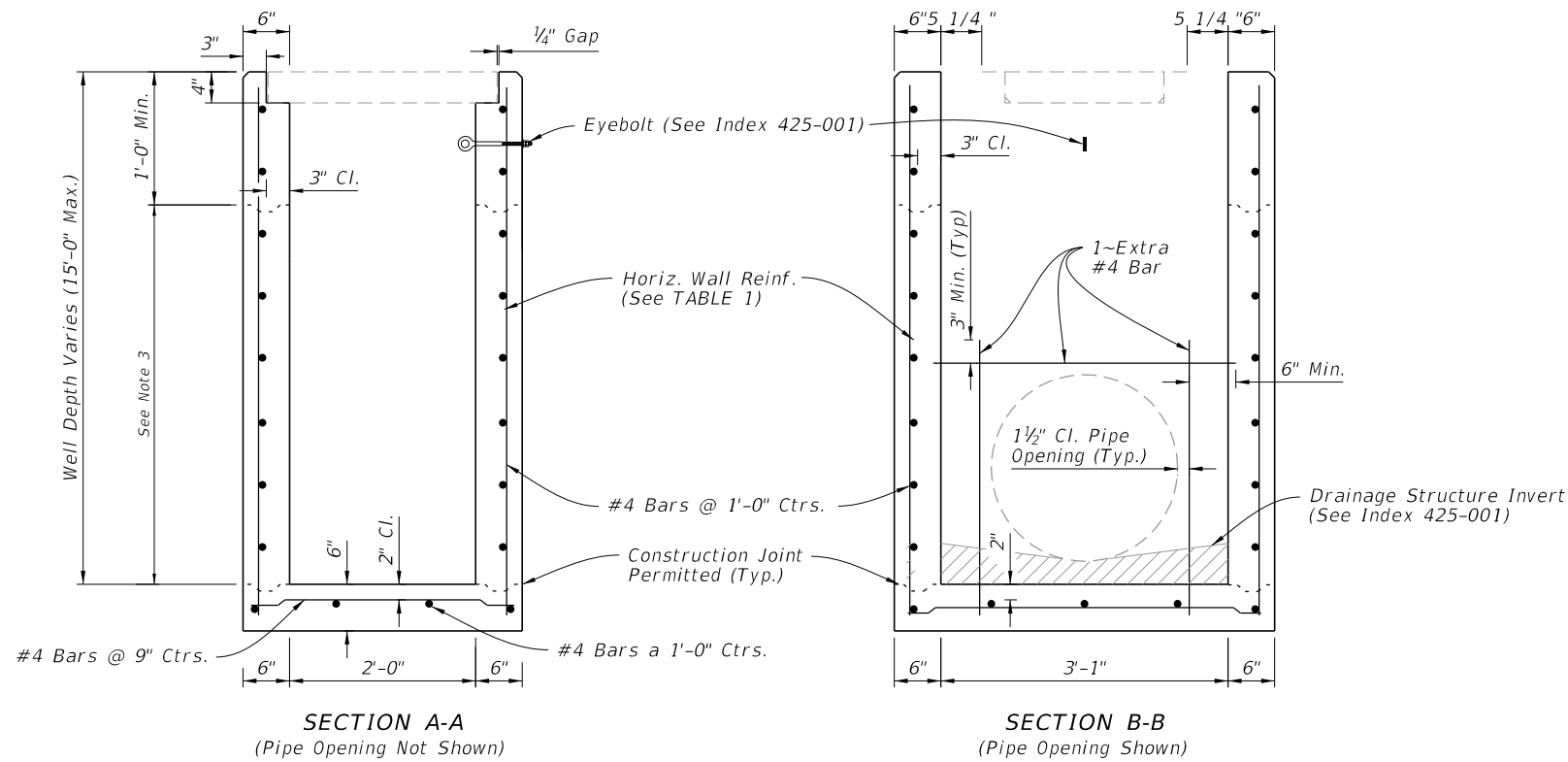
TABLE OF CONTENTS:	
Sheet	Description
1	General Notes and Contents
2	Dimensional, Reinforcing, and Steel Grate Details
3	Concrete Apron and Sodded Area Details
4	Alternate A Structure Bottom - Top Slab Details

===== DITCH BOTTOM INLET TYPE A =====  
(Pipe Opening Not Shown)

10/12/2020 6:51:24 AM



STEEL GRATE DETAILS



DIMENSIONAL AND REINFORCING DETAILS

**TABLE 1**  
**HORIZONTAL WALL REINFORCING SCHEDULE**

WALL DEPTH	SCHEDULE	AREA (in. <sup>2</sup> /ft.)	MAX. SPACING	
			BARS	WWR
0' - 10'	A12	0.20	12"	8"
10' - 15'	A6	0.20	6"	5"

- NOTES:**
1. Plan View: The Steel Grate, Concrete Apron, and Sod are not shown.
  2. See Sheet 3 for Concrete Apron and Sodded Area details.
  3. Construction joints permitted between these limits. See Index 425-001 for minimum dimensions.

DIMENSIONAL, REINFORCING, AND STEEL GRATE DETAILS

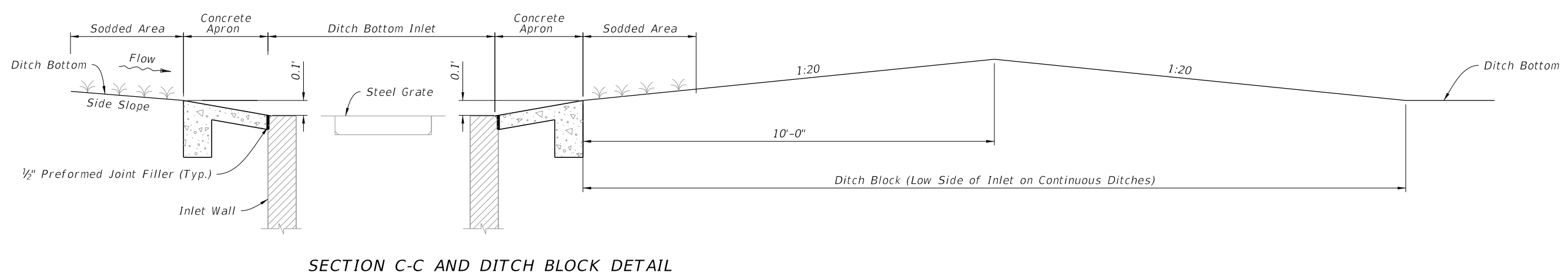
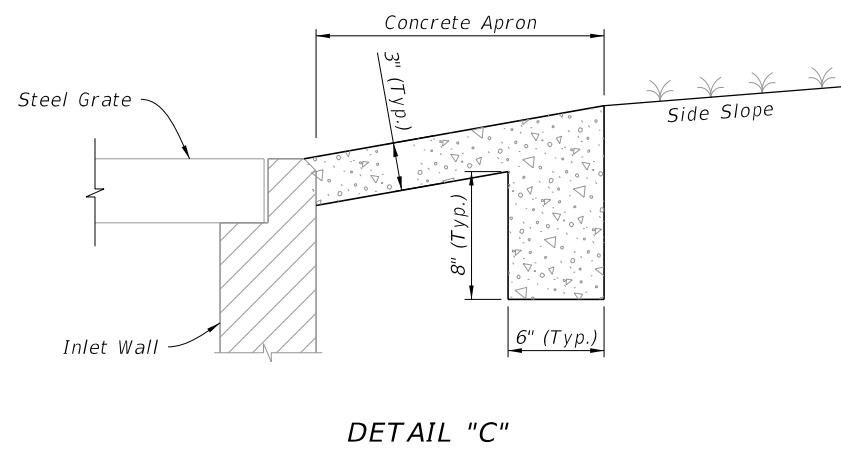
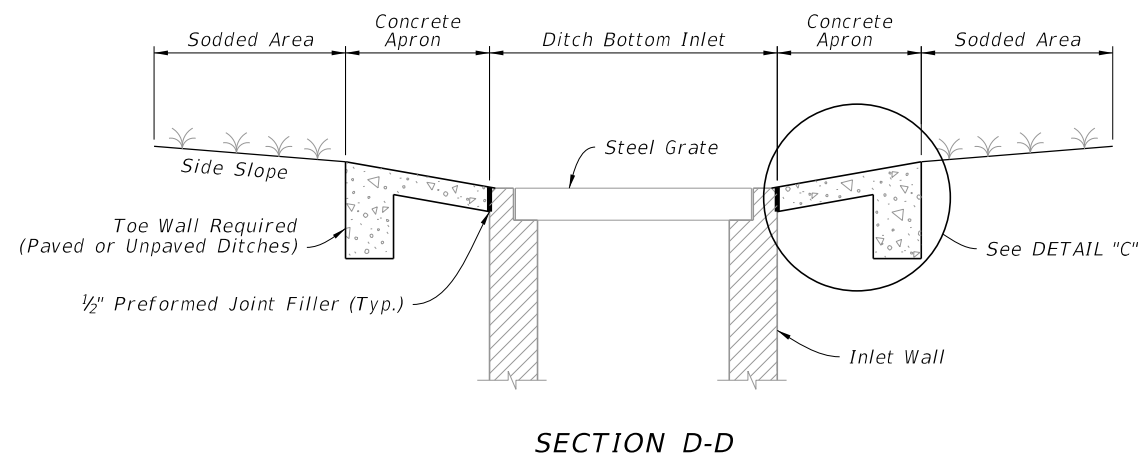
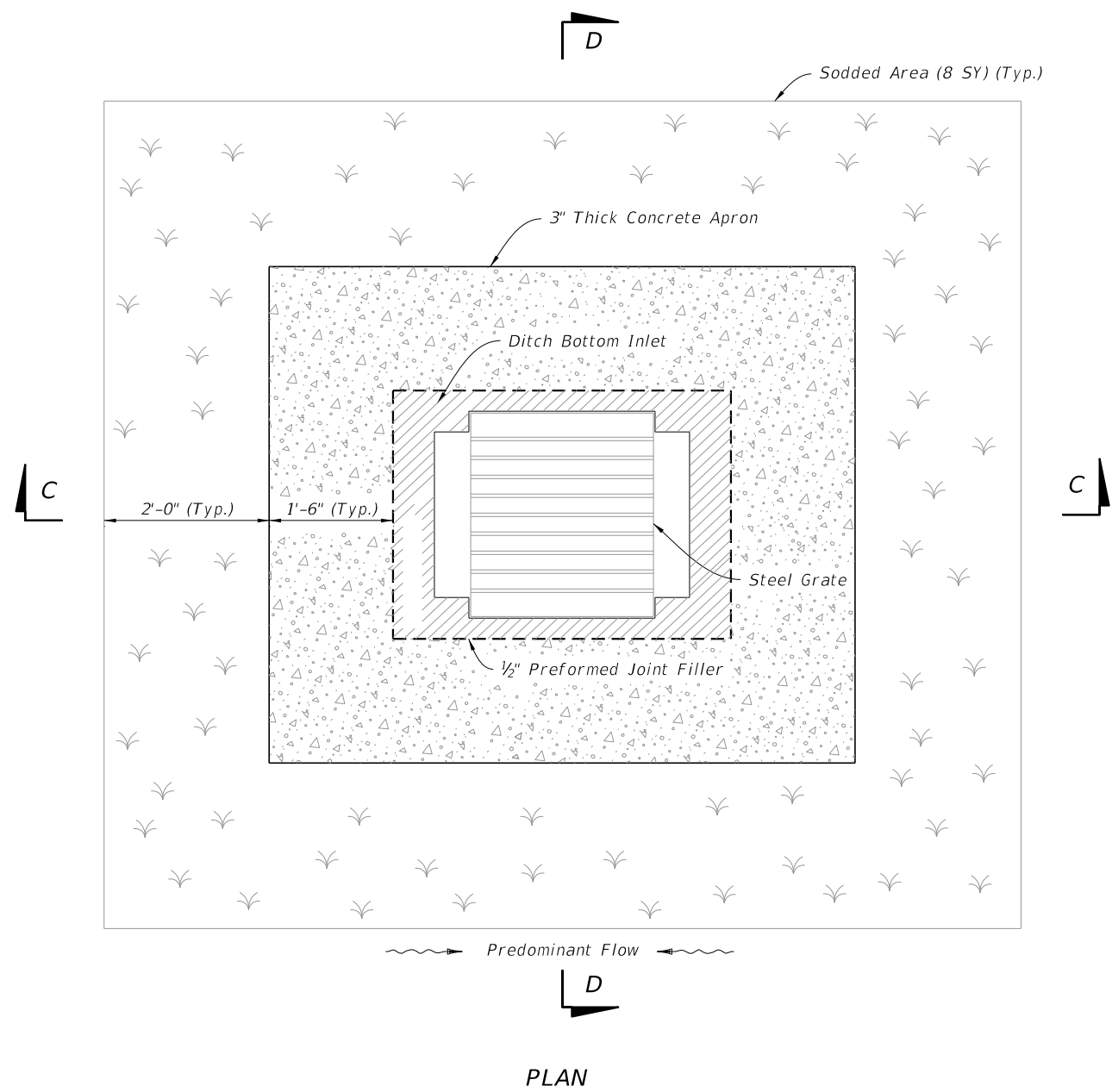
10/12/2020 6:51:26 AM

LAST REVISION 11/01/20	DESCRIPTION:
---------------------------	--------------


**FY 2021-22  
STANDARD PLANS**

**DITCH BOTTOM INLET TYPE A**

INDEX 425-050	SHEET 2 of 4
------------------	-----------------



CONCRETE APRON AND SODDED AREA DETAILS

10/12/2020 6:51:33 AM

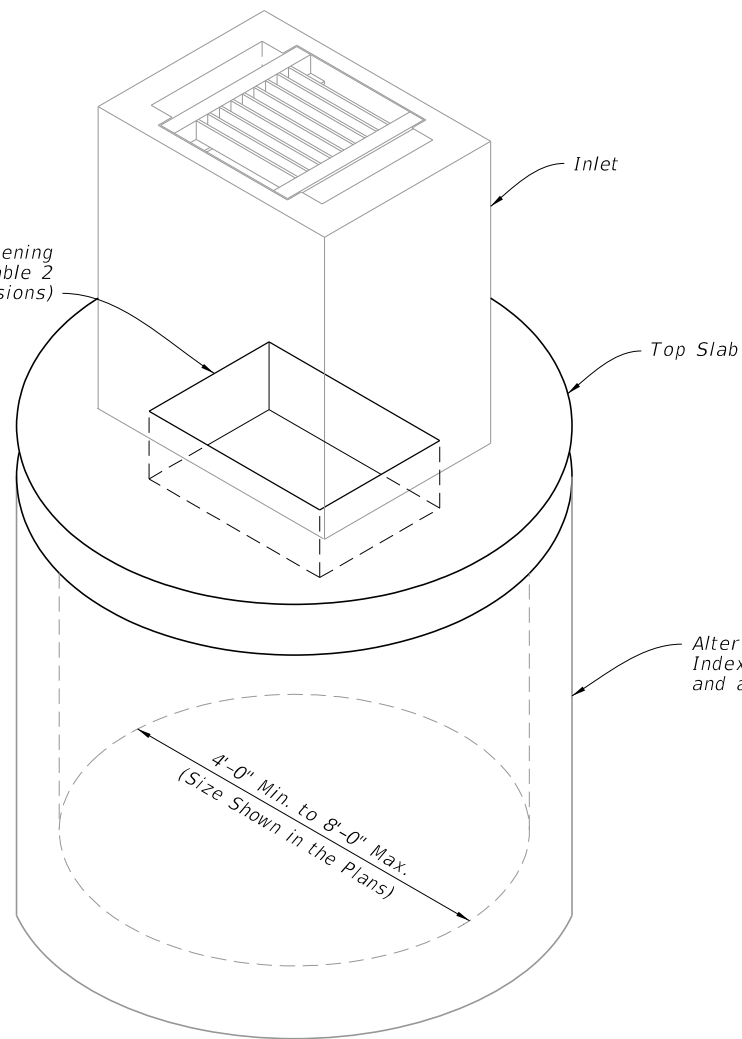
LAST REVISION 11/01/20	REVISION	DESCRIPTION:
---------------------------	----------	--------------


**FY 2021-22  
STANDARD PLANS**

**DITCH BOTTOM INLET TYPE A**

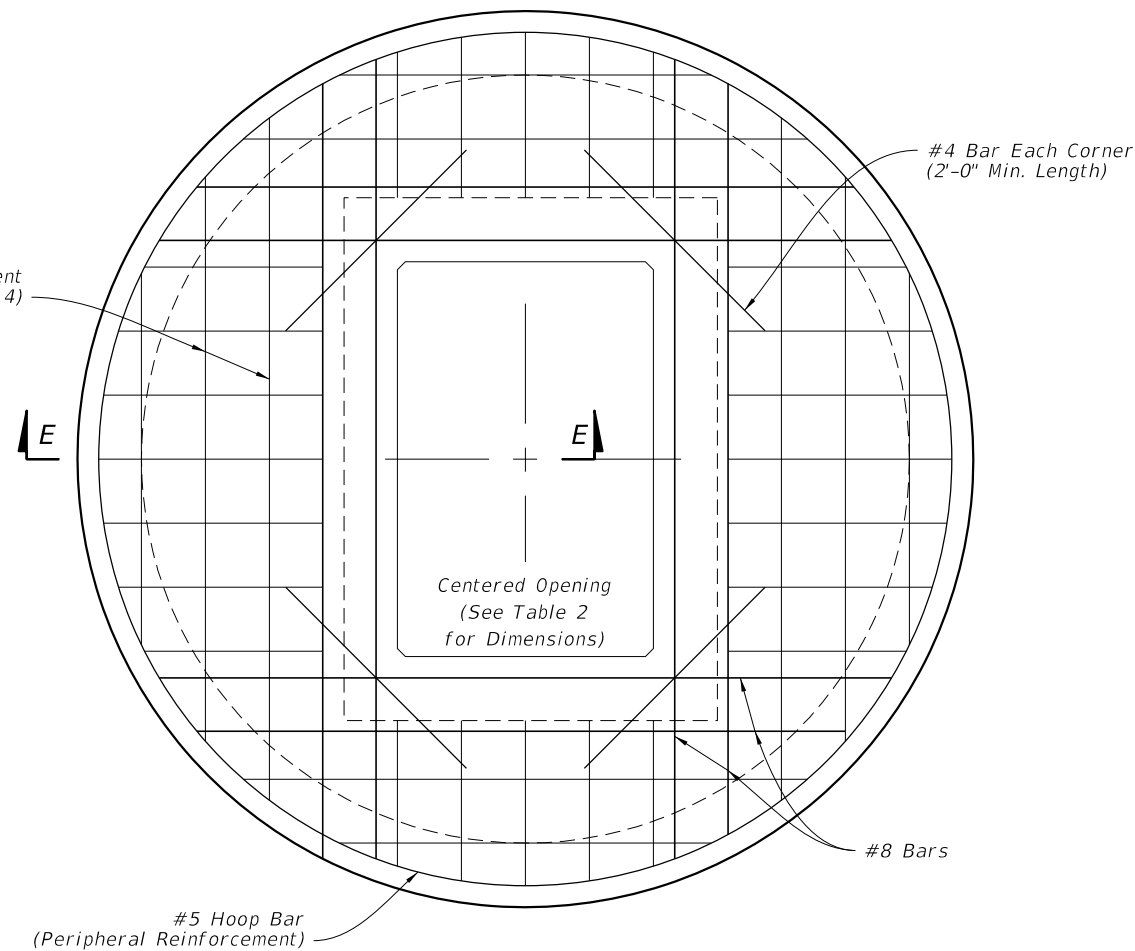
INDEX 425-050	SHEET 3 of 4
------------------	-----------------

Centered Opening  
(See Table 2  
for Dimensions)

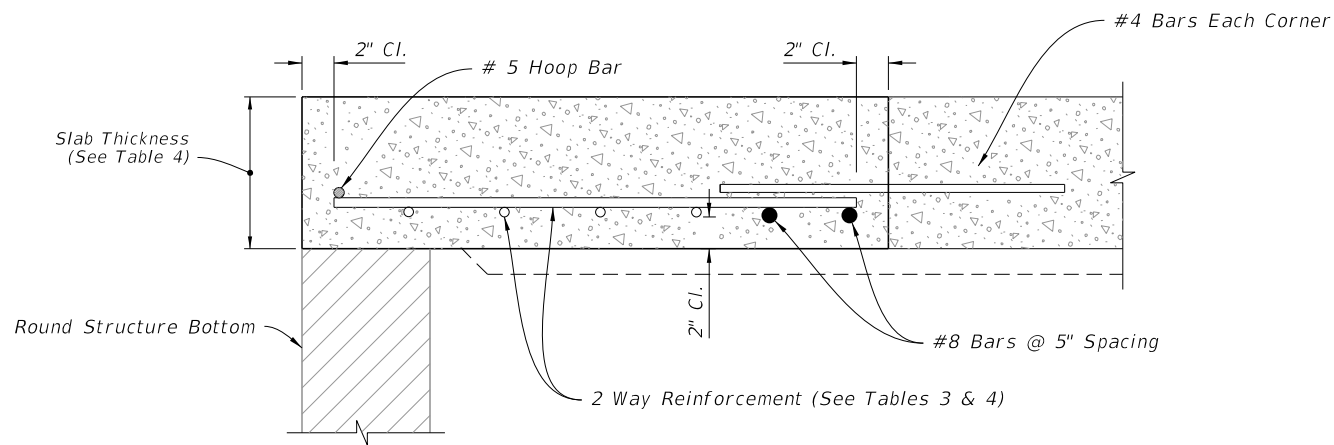


BOTTOM STRUCTURE DIAMETER	OPENING SIZE	
	Min.	Max.
4'-0" to 8'-0"	2'-0" x 3'-1"	--

2 Way Reinforcement  
(See Tables 3 & 4)



PLAN



SECTION E-E

SCHEDULE	GRADE 60 (BAR) OR 65 KSI & 70 KSI (WIRE FABRIC) In. <sup>2</sup> /ft.
A	0.20
B	0.24
C	0.37
D	0.53
E	0.73
F	1.06
G	1.45

STRUCTURE DEPTH	SLAB THICKNESS	REINFORCING (2 WAY) SCHEDULE
SIZE: 4'-0"		
≥0.5'-40'	9½"	C
SIZE: 5'-0"		
≥0.5'<30'	9½"	C
30'-40'	9½"	D
SIZE: 6'-0"		
0.5'<8'	9½"	B
8'<18'	9½"	C
18'<30'	9½"	D
30'<37'	9½"	E
37'-40'	9½"	G
SIZE: 8'-0"		
≥0.5'<9'	11½"	C
9'<15'	11½"	D
15'<23'	11½"	E
23'<33'	11½"	E
33'-40'	11½"	G

ISOMETRIC VIEW

TOP SLAB REINFORCEMENT DETAILS

ALTERNATE A STRUCTURE BOTTOM - TOP SLAB DETAILS

LAST REVISION	DESCRIPTION:
11/01/20	



FY 2021-22  
STANDARD PLANS

DITCH BOTTOM INLET TYPE A

INDEX  
425-050

SHEET  
4 of 4