

GENERAL NOTES:

1. Work this Index with Index 425-001 and Index 425-010.
2. Use Grade 60 reinforcing bars with 2" minimum cover unless otherwise noted. See Index 425-001 for equivalent area of welded wire fabric. Cut or bend bars to provide 1½" minimum clearance around pipe.
3. Chamfer all exposed edges and corners ¾" or tool to ¼" radius.
4. Dimensions are for both precast and cast-in-place inlets unless otherwise noted.

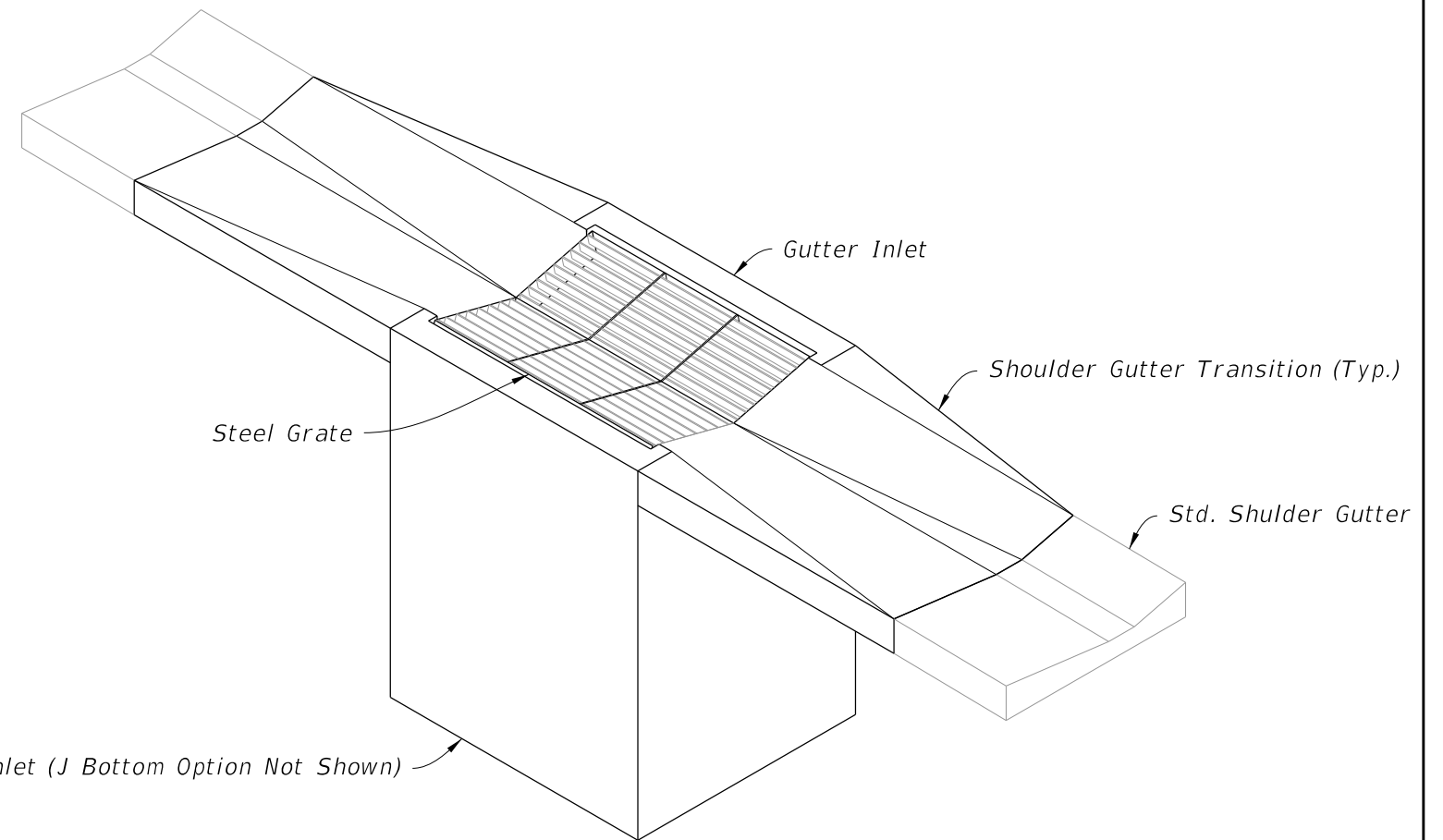


TABLE OF CONTENTS:	
Sheet	Description
1	General Notes and Contents
2	Dimensional and Reinforcing Details
3	Transition and Apron Details
4	Steel Grate Details
5	Alternate A Structure Bottom - Top Slab Details

GUTTER INLET TYPE S
 (Pipe Opening Not Shown)

10/12/2020 6:50:20 AM

LAST REVISION	DESCRIPTION:
11/01/20	

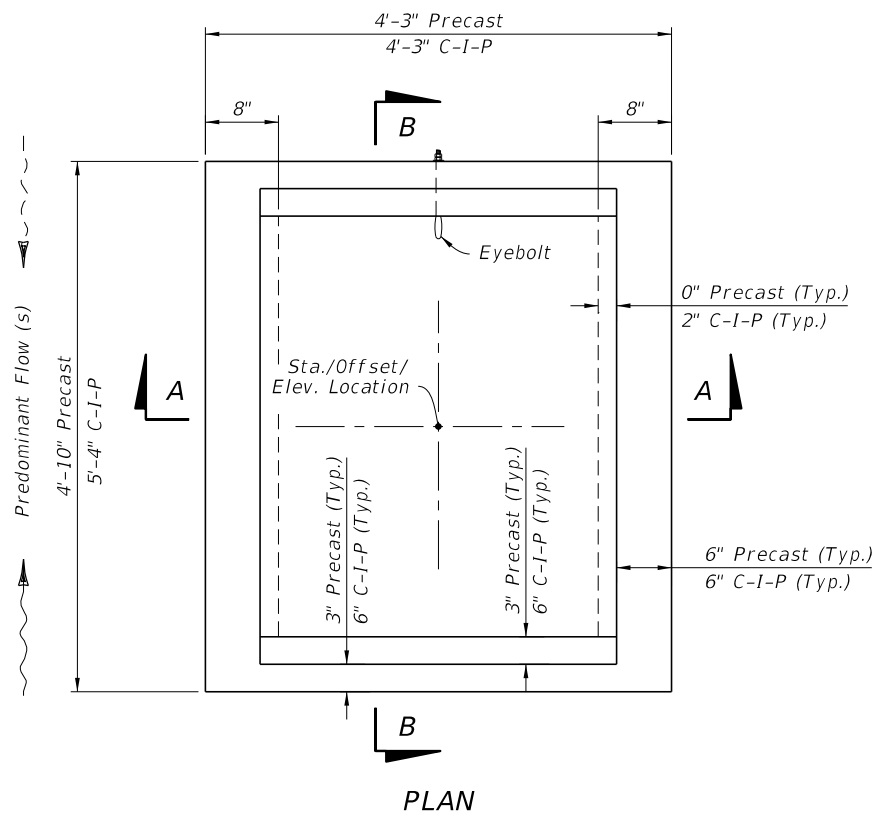


FY 2021-22
 STANDARD PLANS

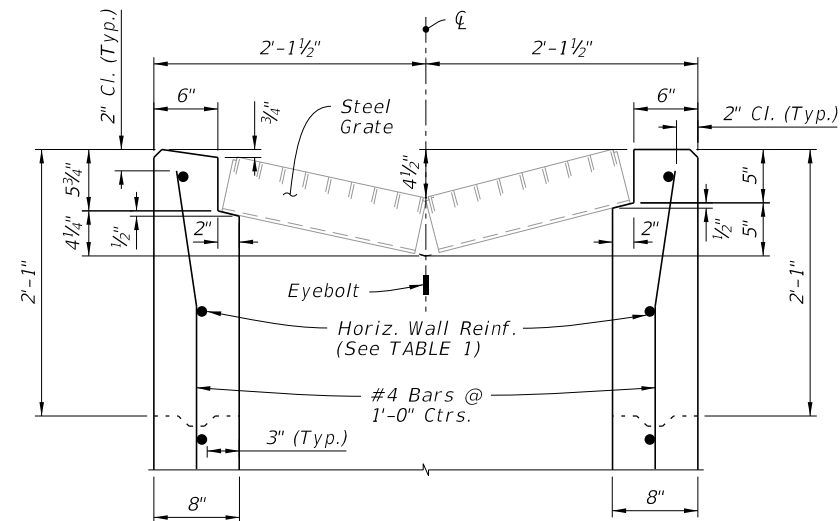
GUTTER INLET TYPE S

INDEX
 425-040

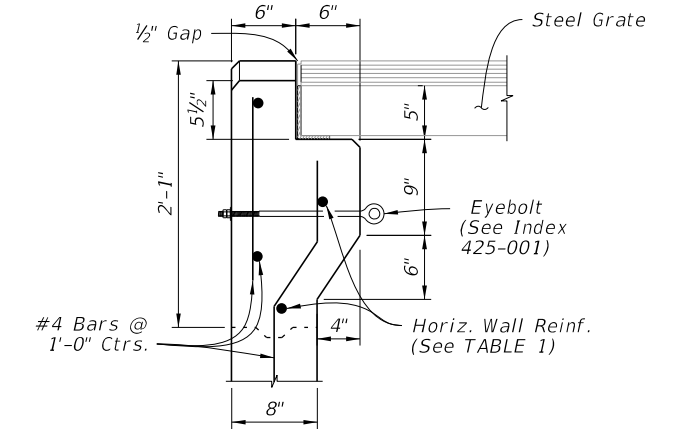
SHEET
 1 of 5



PLAN

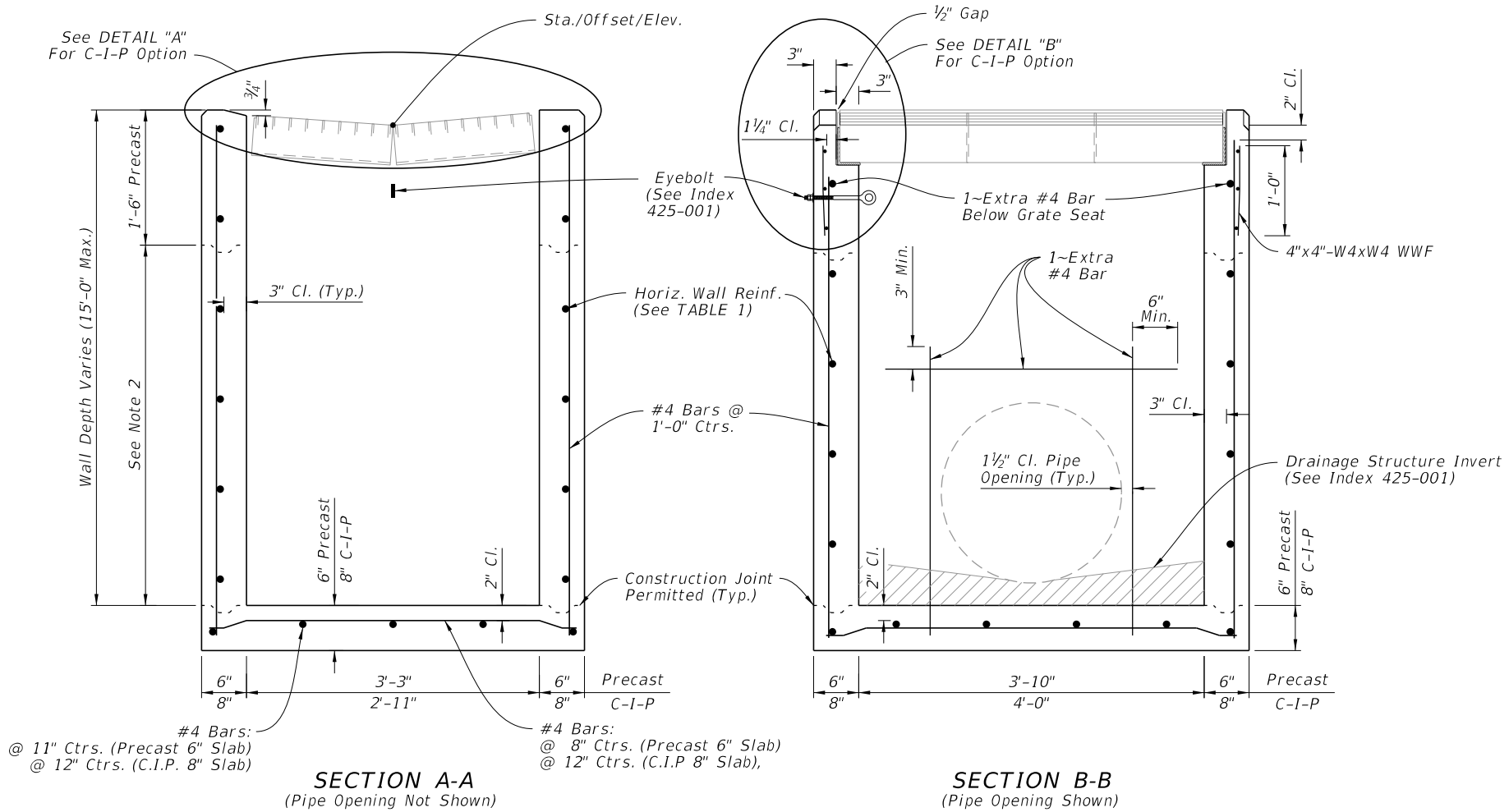


DETAIL "A"



DETAIL "B"

CAST-IN-PLACE OPTION



SECTION A-A
(Pipe Opening Not Shown)

SECTION B-B
(Pipe Opening Shown)

WALL DEPTH	SCHEDULE	AREA (in. ² /ft.)	MAX. SPACING	
			BARS	WWR
0' - 5'	A12	0.20	12"	8"
5' - 9'	A6	0.20	6"	5"
9' - 12'	A4	0.24	4"	3"
9' - 15'	B5.5	0.24	5 1/2"	5"

- NOTES:**
- Concrete Apron/Transition not shown.
 - Construction joints permitted between these limits. See Index 425-001 for minimum dimensions.

10/12/2020 6:50:22 AM

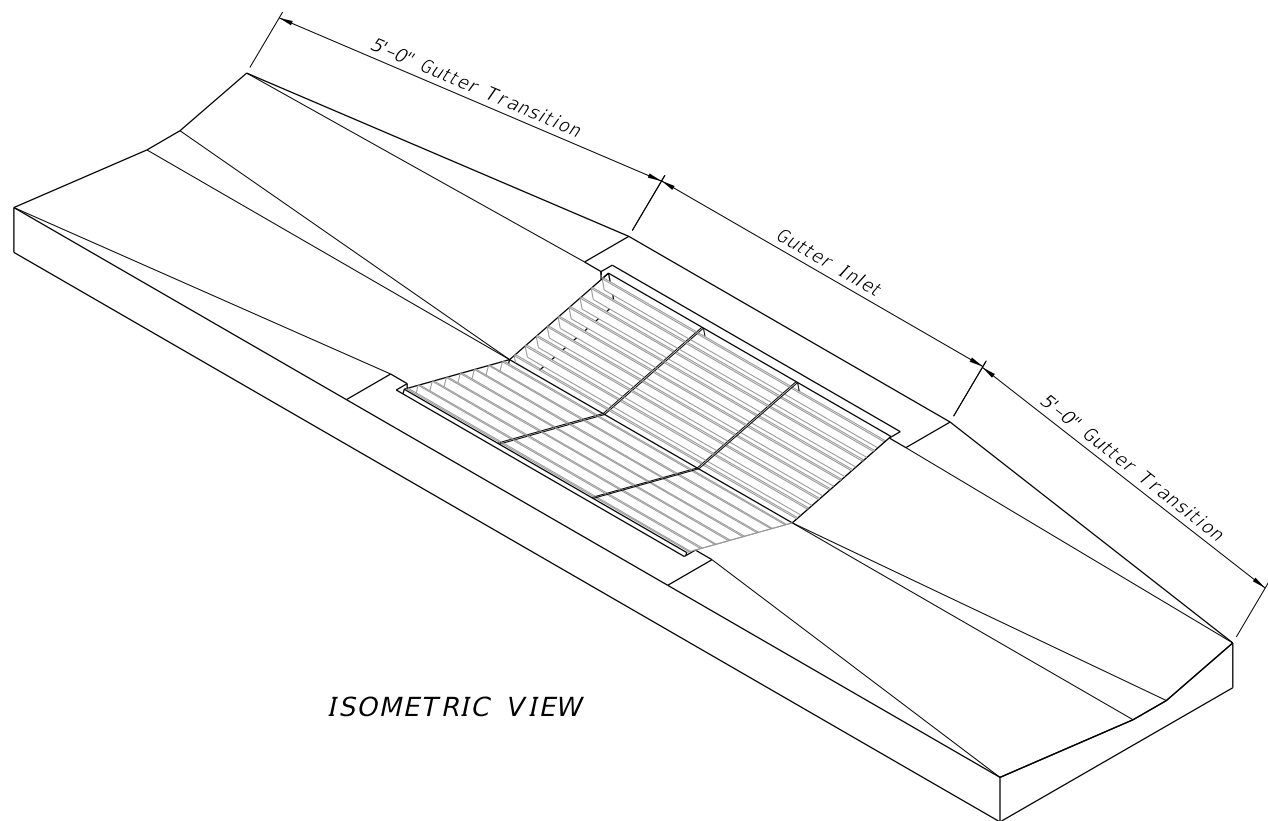
LAST REVISION 11/01/20	DESCRIPTION:
---------------------------	--------------

FY 2021-22
STANDARD PLANS

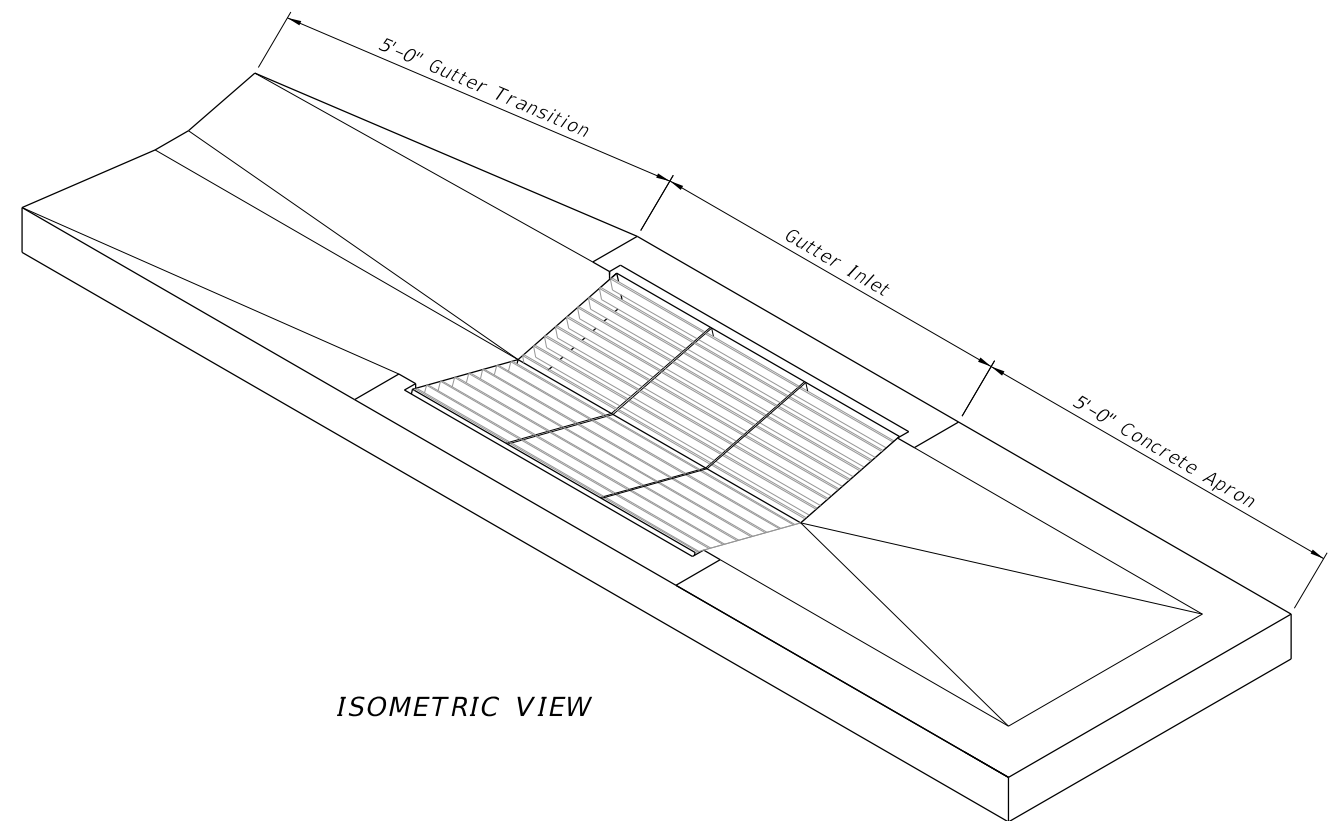
GUTTER INLET TYPE S

INDEX 425-040	SHEET 2 of 5
------------------	-----------------

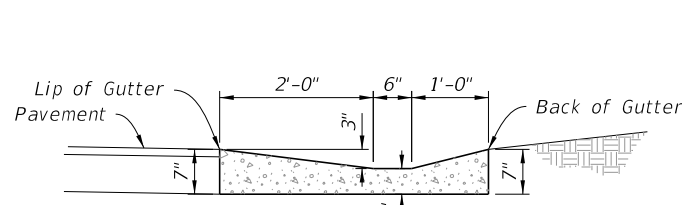
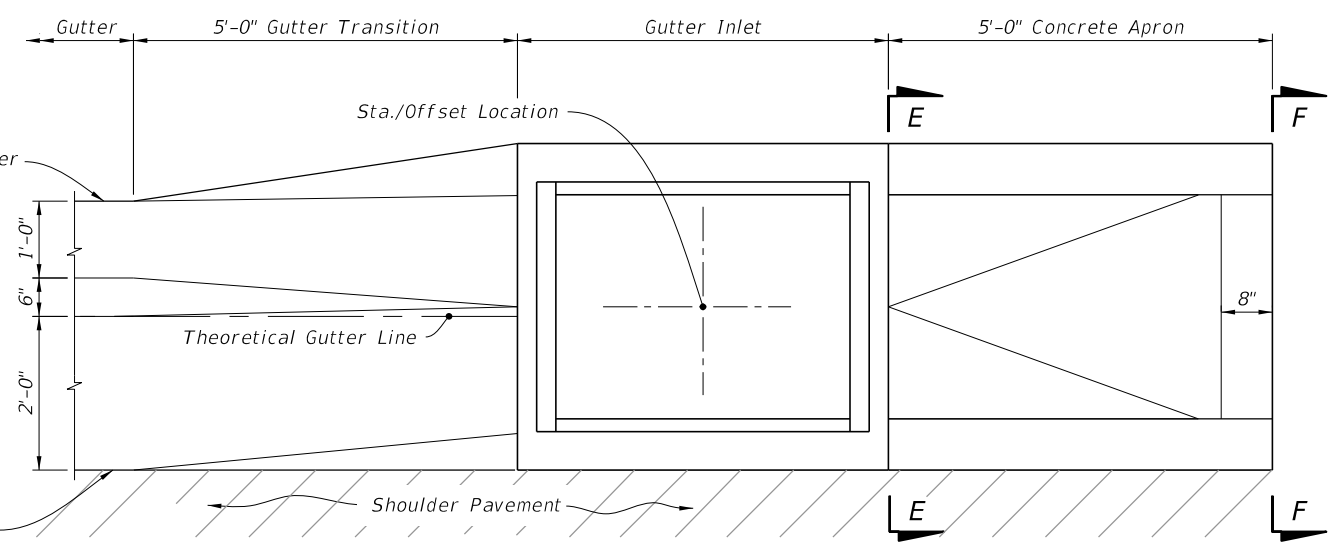
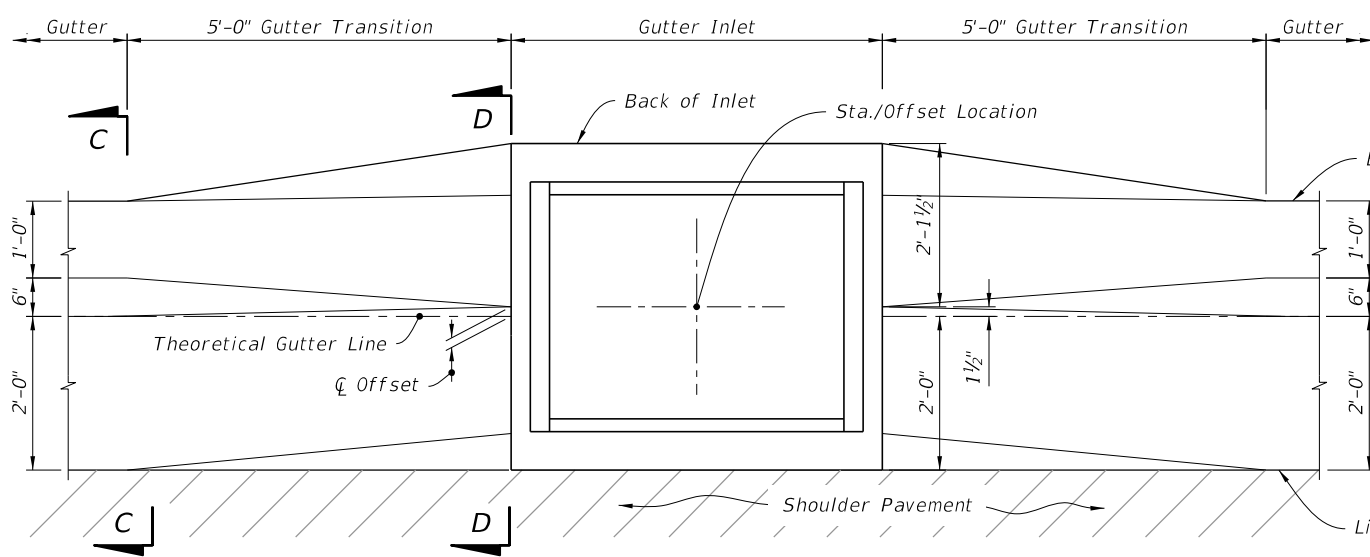
DIMENSIONAL AND REINFORCING DETAILS



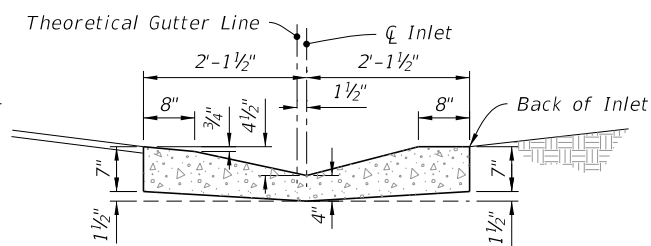
ISOMETRIC VIEW



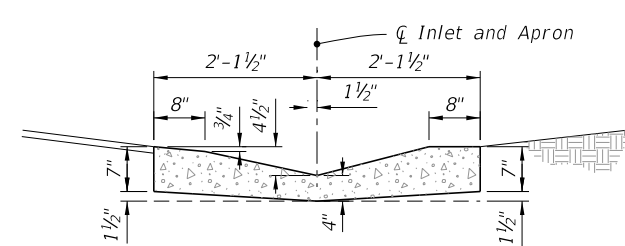
ISOMETRIC VIEW



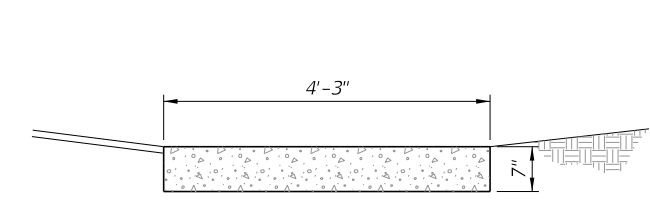
SECTION C-C



SECTION D-D



SECTION E-E



SECTION F-F

SHOULDER GUTTER TRANSITION

APRON AT TERMINAL INLETS

TRANSITION AND APRON DETAILS

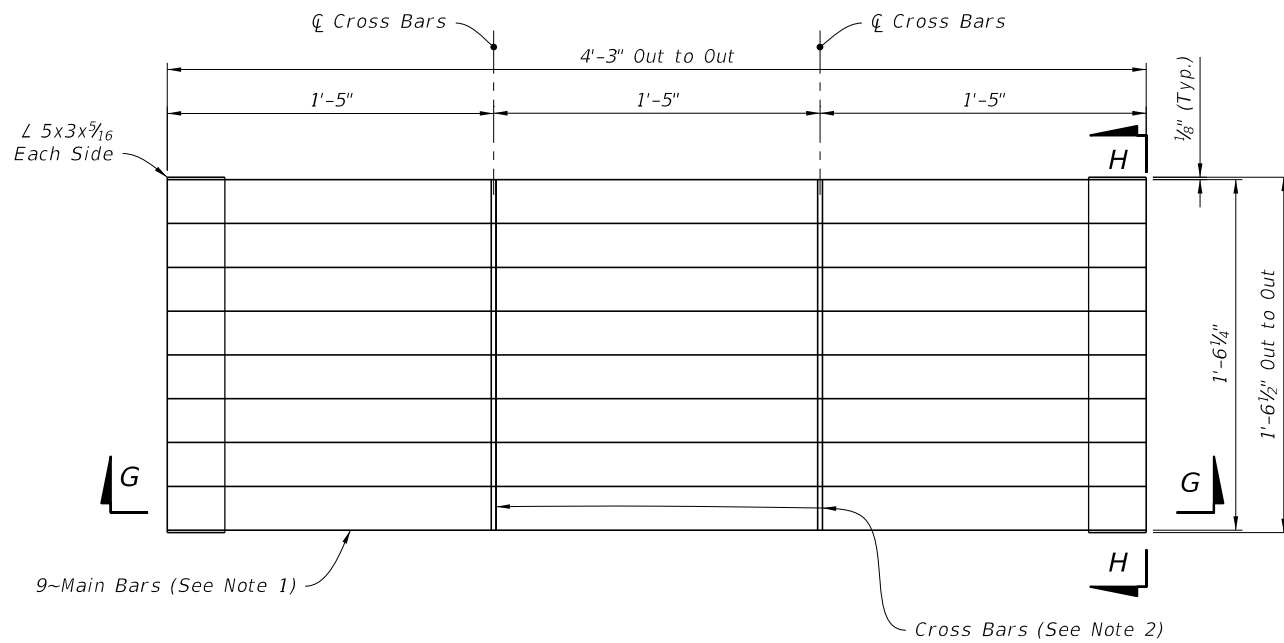
10/12/2020 6:50:25 AM

LAST REVISION 11/01/20	REVISION	DESCRIPTION:
---------------------------	----------	--------------

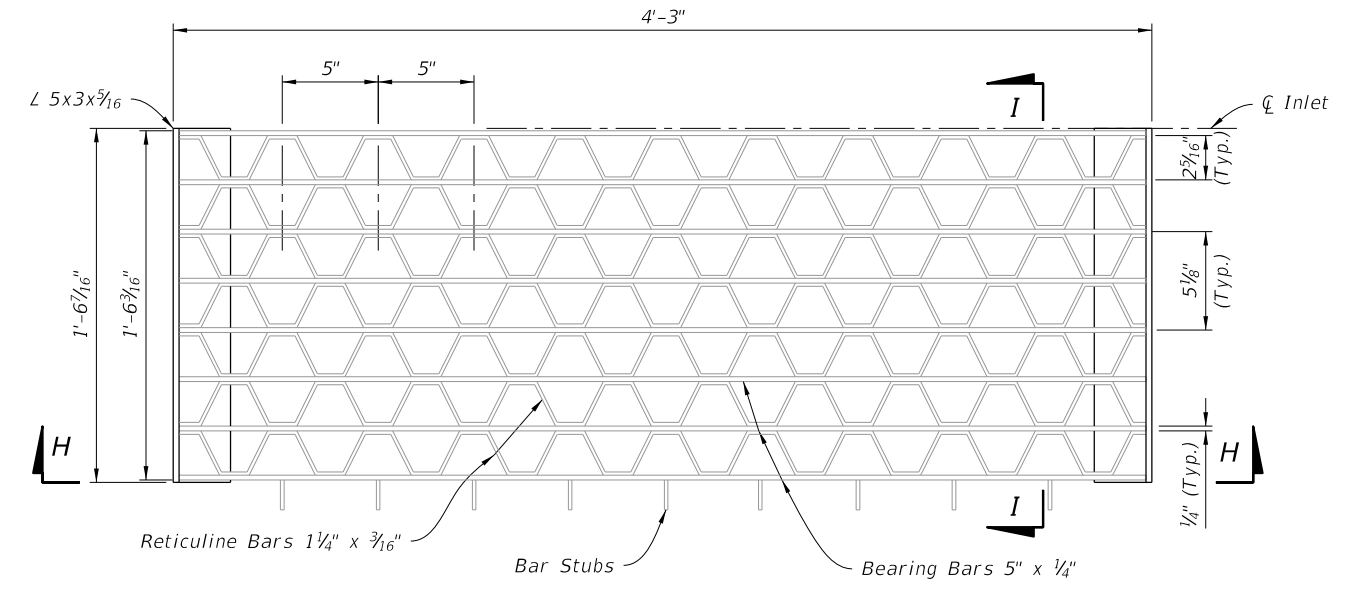

**FY 2021-22
STANDARD PLANS**

GUTTER INLET TYPE S

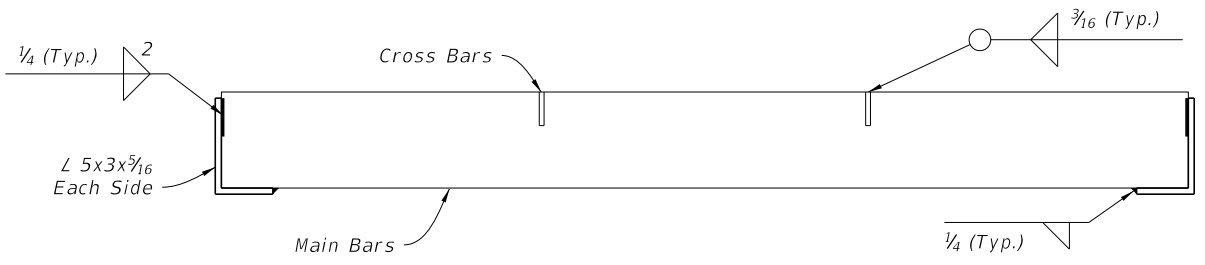
INDEX 425-040	SHEET 3 of 5
------------------	-----------------



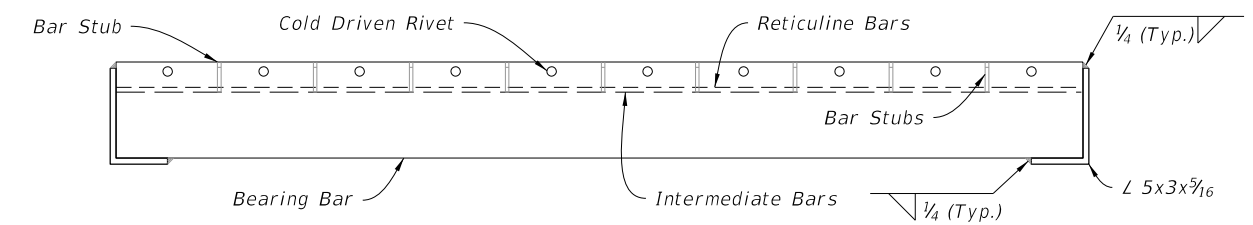
PLAN



PLAN

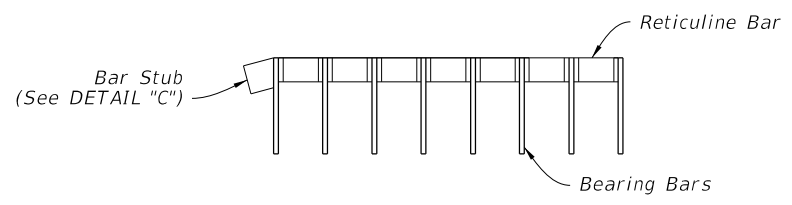


SECTION G-G

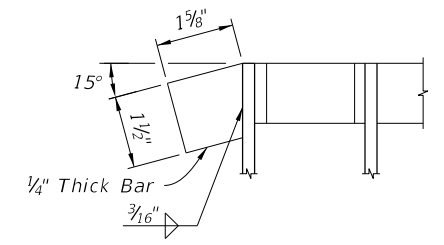


SECTION H-H

- NOTES:**
1. Main Bars are 5"x1/4", notched for Cross Bars, and spaced equally apart.
 2. Cross Bars are 1 3/4"x1/4" and continuously welded at Main Bar Notches.
 3. Main Bars and Cross Bars are flush on top.



SECTION I-I



DETAIL "C"

PARALLEL BARS

RETICULINE BARS

STEEL GRATE DETAILS

10/12/2020 6:50:29 AM

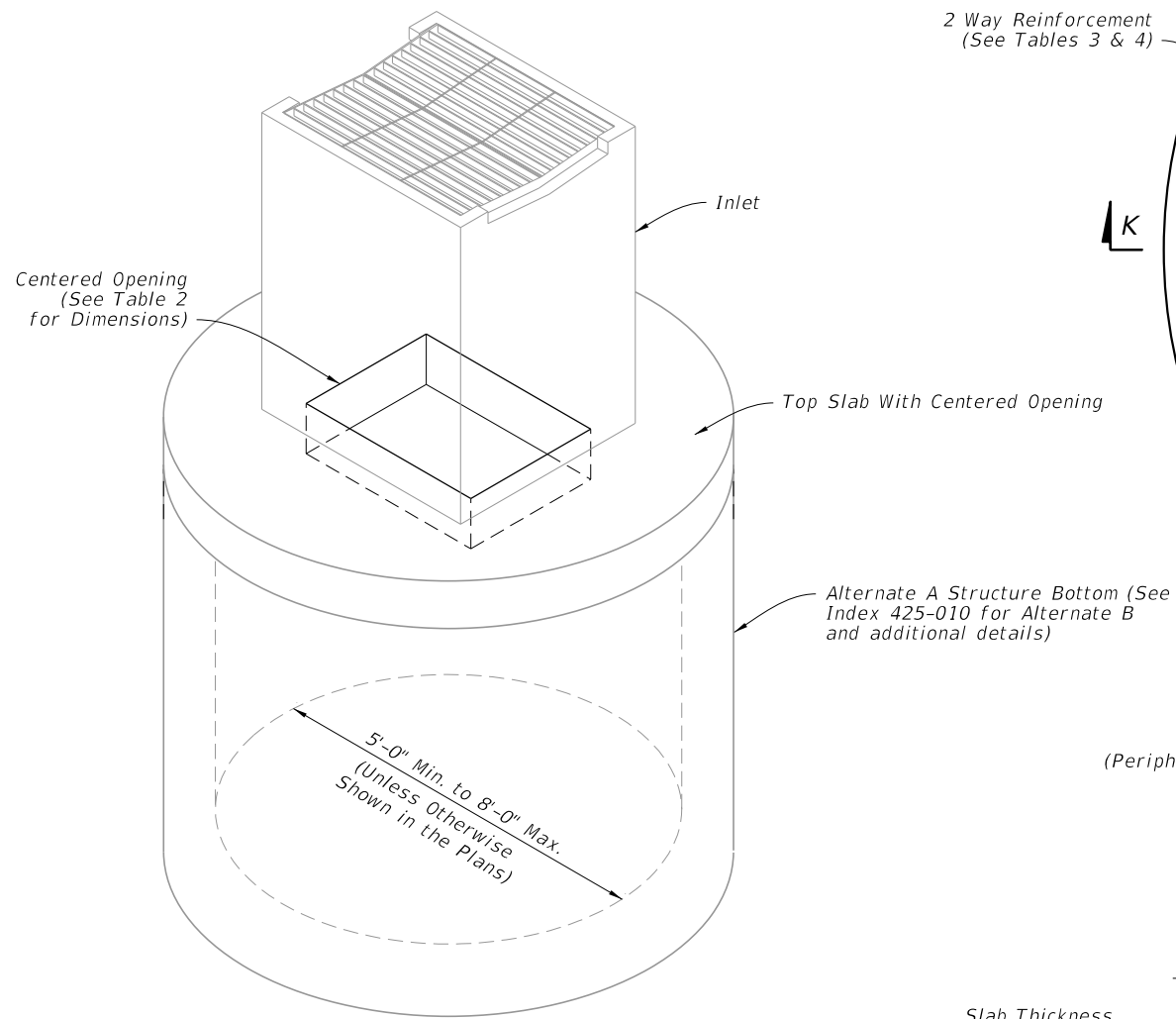
LAST REVISION 11/01/20	DESCRIPTION:
---------------------------	--------------


**FY 2021-22
STANDARD PLANS**

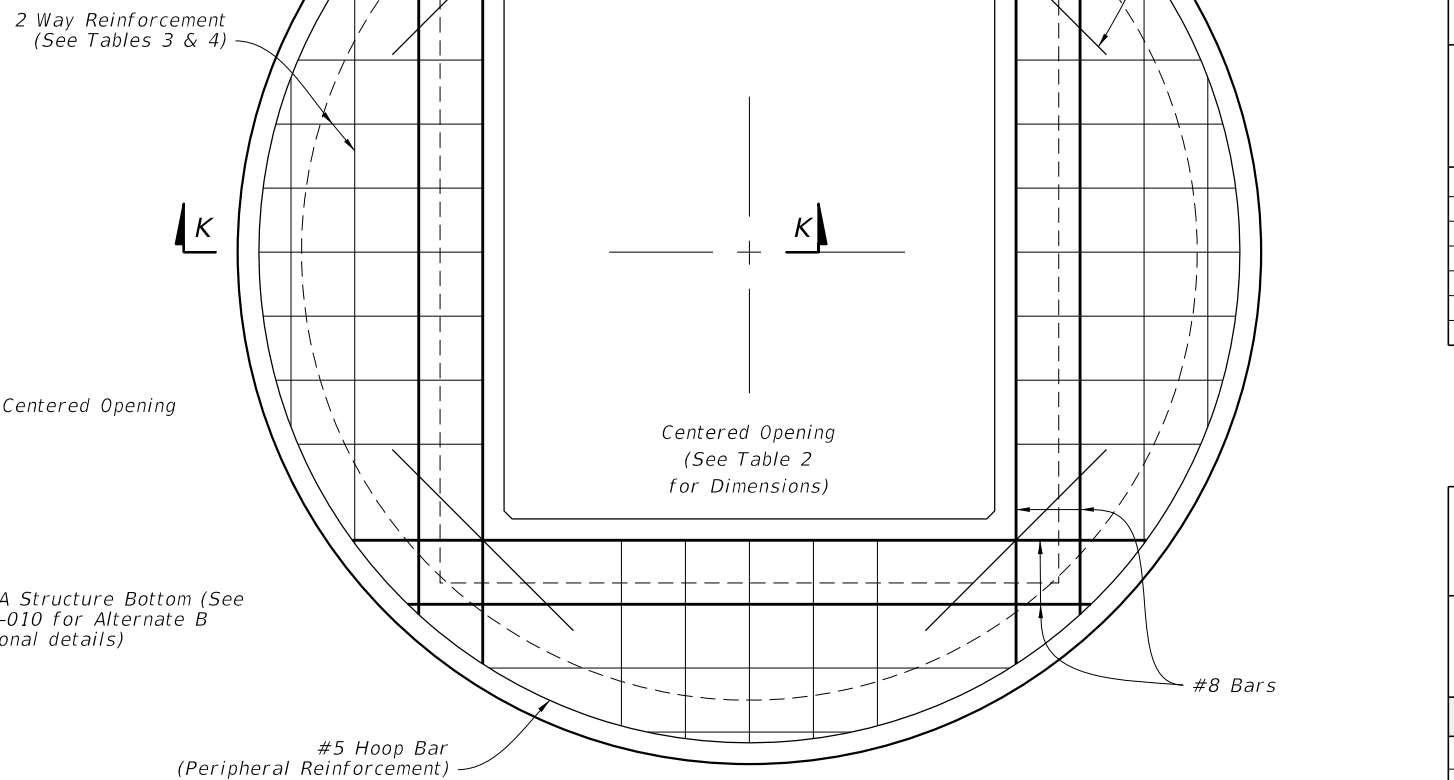
GUTTER INLET TYPE S

INDEX 425-040	SHEET 4 of 5
------------------	-----------------

10/16/2020 8:37:00 AM

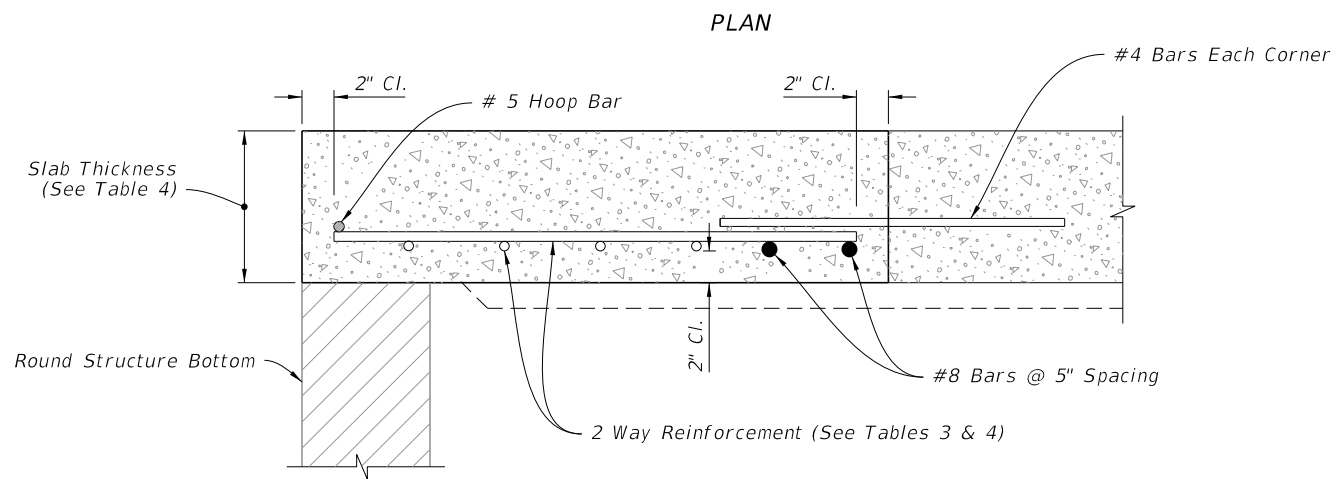


DIAMETER	OPENING SIZE	
	Min.	Max.
5'-0" to 8'-0"	2'-11" x 4'-0"	3'-3" x 3'-10"



SCHEDULE	GRADE 60 (BAR) OR 65 KSI & 70 KSI (WIRE FABRIC) In. ² /ft.
A	0.20
B	0.24
C	0.37
D	0.53
E	0.73
F	1.06
G	1.45

STRUCTURE DEPTH	SLAB THICKNESS	REINFORCING (2 WAY) SCHEDULE
SIZE: 5'-0"		
≥0.5' < 30'	9½"	C
30' < 40'	9½"	D
SIZE: 6'-0"		
≥0.5' < 8'	9½"	B
8' < 18'	9½"	C
18' < 30'	9½"	D
30' < 37'	9½"	E
37' - 40'	9½"	G
SIZE: 8'-0"		
≥0.5' < 9'	11½"	C
9' < 15'	11½"	D
15' < 23'	11½"	E
23' < 33'	11½"	E
33' - 40'	11½"	G



SECTION K-K

ISOMETRIC VIEW

TOP SLAB REINFORCEMENT DETAILS

ALTERNATE A STRUCTURE BOTTOM - TOP SLAB DETAILS

LAST REVISION	DESCRIPTION:
11/01/20	



FY 2021-22
STANDARD PLANS

GUTTER INLET TYPE S

INDEX
425-040

SHEET
5 of 5