

GENERAL NOTES:

1. Work this Index with Index 425-001 and Index 425-010.
2. When called for in the Plans, use this inlet in conjunction with median or shoulder barrier per Index 521-001 or a barrier with junction slab and wall coping per Index 521-610.
3. Reinforce the upper 2'-3" of the inlet in accordance with sections CC, DD, and EE regardless of construction method.
4. Chamfer exposed edges and corners to $\frac{3}{4}$ " or tool to $\frac{1}{4}$ " radius.
5. Field installation of a roller bar will not be permitted. Adjust tolerance during fabrication or casting, or, match grate to structure prior to galvanizing.
6. Use Grade 60, #4 bars for reinforcing steel. See Index 425-001 for equivalent area of welded wire fabric.
7. Dimensions are for both precast and cast-in-place inlets unless otherwise noted.
8. Anchor bolts: Use either ASTM A307 hex head bolts cast-in-place, or ASTM A36 or F1554 (Grade 36) galvanized fully threaded rod, adhesive bonded anchors installed in accordance with Specification 416. Rods must be a minimum of 6" long with 4" minimum embedment with one ASTM 194 or A563 heavy hex head nut and one ASTM F436 flat washer each. Hot-dip galvanize anchor bolts, nuts, and washers.
9. Reduce Cross Slope: Use a flatter cross slope as required to match adjacent grading per the Plans. Reduce vertical dimensions and bar spacing as needed to maintain concrete cover as shown.

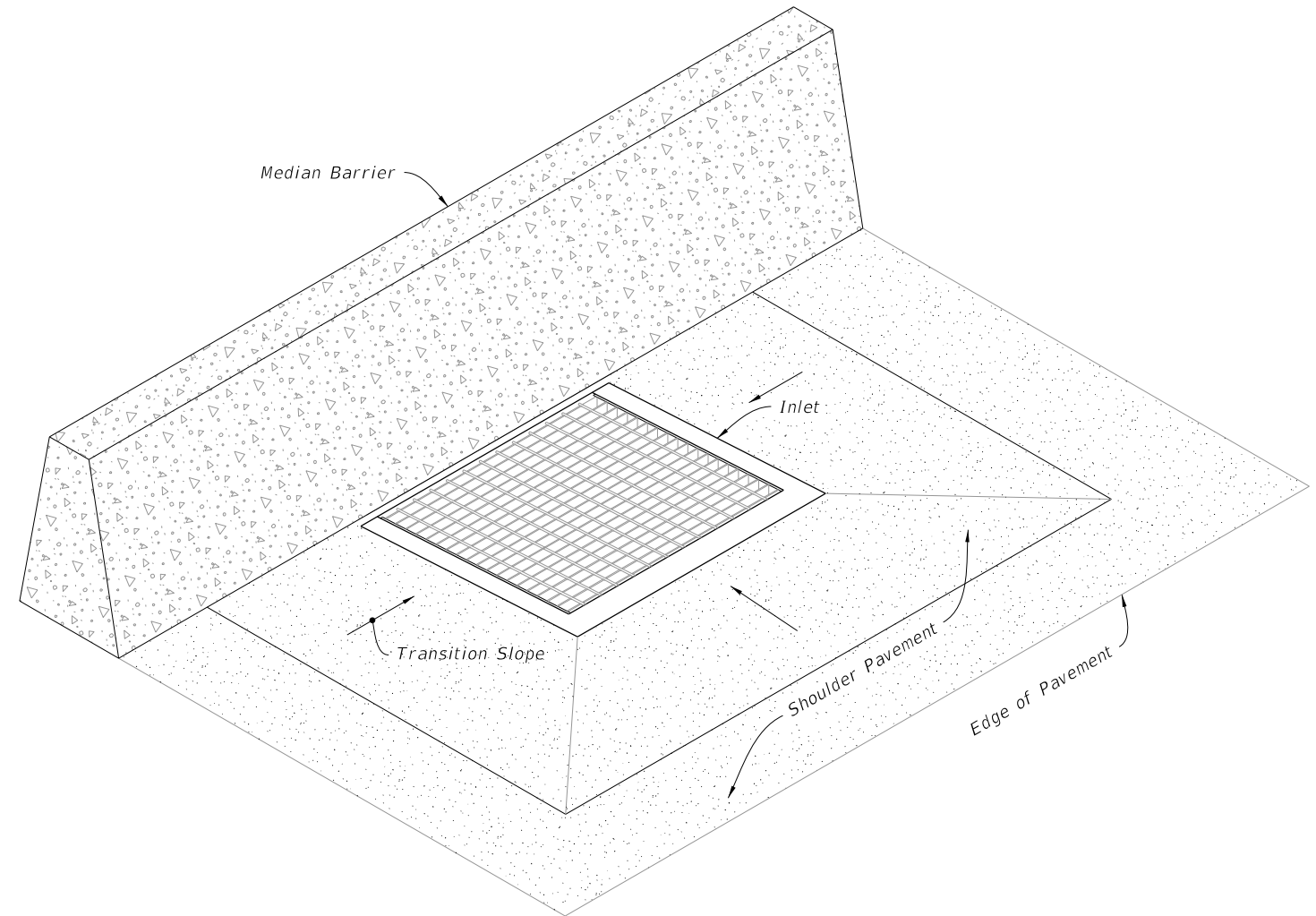
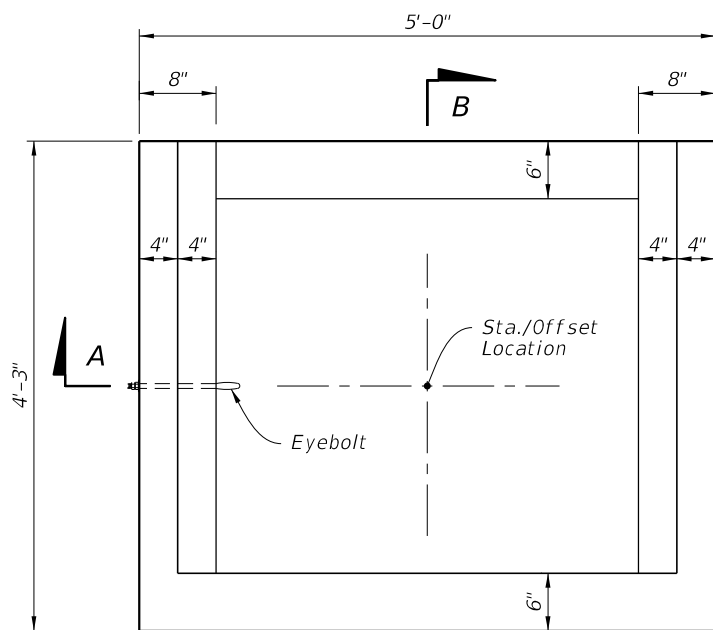


TABLE OF CONTENTS:

Sheet	Description
1	General Notes and Contents
2	Dimensional, Reinforcing, and Steel Grate Details
3	Inlet Collar Dimensional, Reinforcing, and Backwall Plate Details
4	Shoulder Pavement Wrap, Barrier Type Examples, and Structure Bottoms

ADJACENT BARRIER INLET
(Shoulder Barrier Similar)

10/12/2020 6:49:02 AM



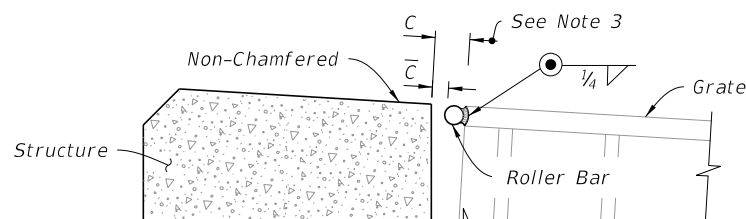
PLAN

NOTES:

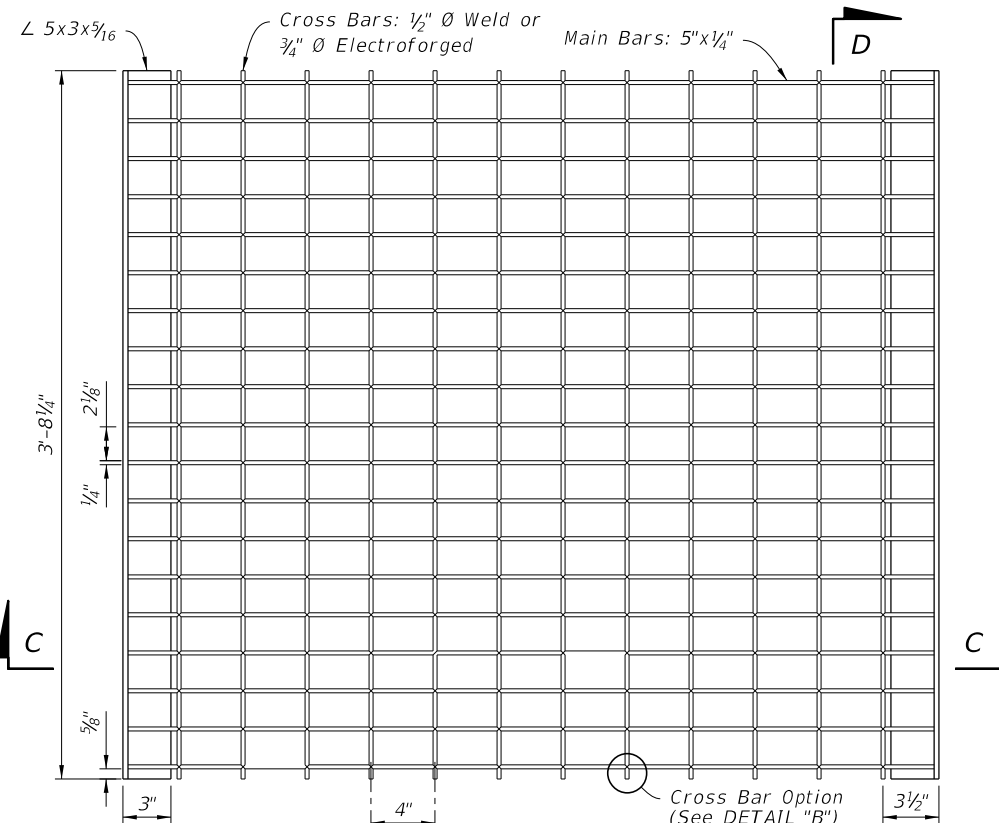
1. See Sections E-E, F-F, and G-G on Sheet 3 for reinforcing details.
2. Construction joints permitted between these limits. See Index 425-001 for minimum dimensions.
3. Field Installation: When clearance (C) exceeds $\frac{5}{8}$ " weld a one-piece round bar (roller bar) to the end of the cross bars and end band angles to reduce the clearance (\bar{C}) to $\frac{5}{8}$ " or less. After welding the bar, clean bar and damaged grate coating and coat with a coal tar pitch varnish.

TABLE 1: HORIZONTAL WALL REINFORCING SCHEDULE

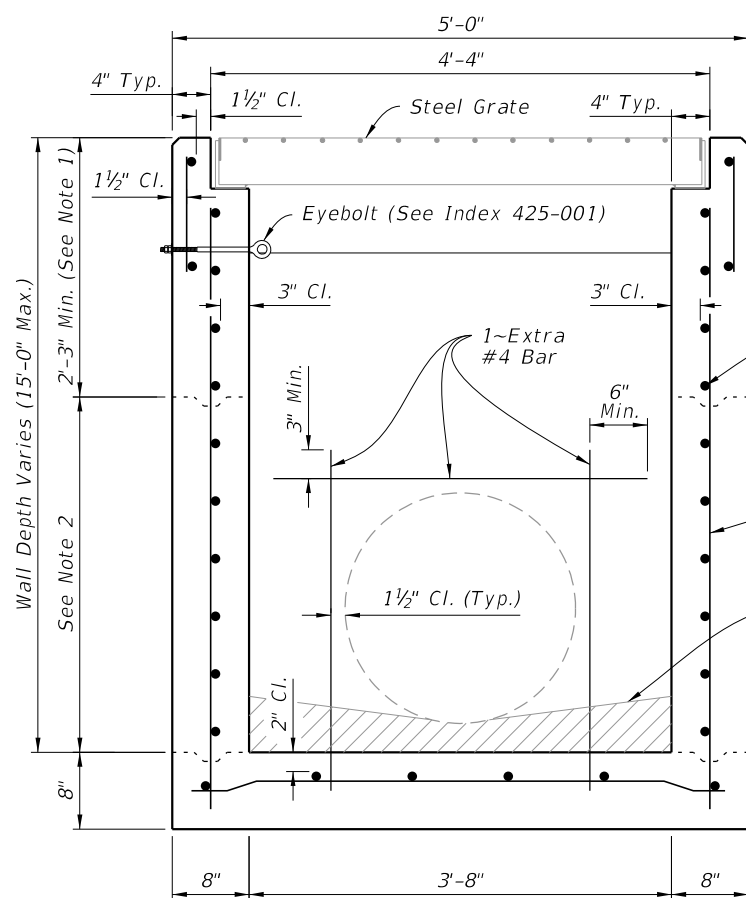
WALL DEPTH	SCHEDULE	AREA (in. ² /ft.)	MAX. SPACING	
			BARS	WWR
0'-5'	A12	0.20	12"	8"
5'-10'	A6	0.20	6"	5"
10'-15'	A4	0.20	4"	3"
10'-15'	B5.5	0.24	5½"	5"



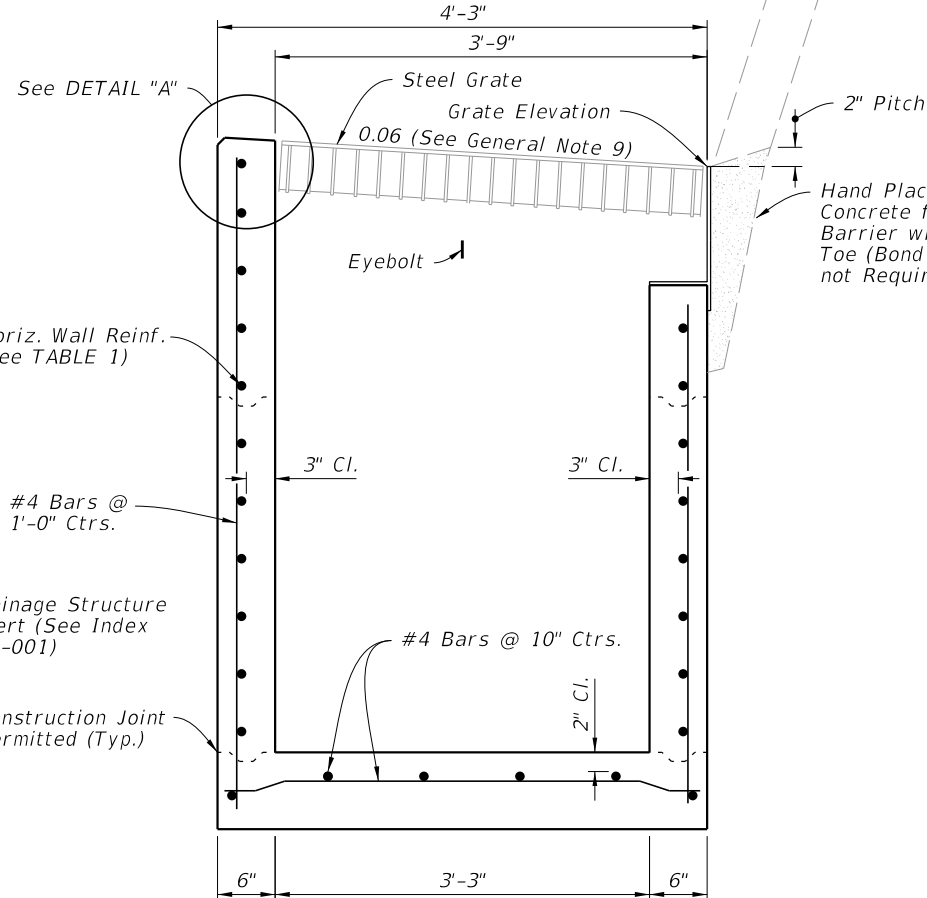
DETAIL "A"



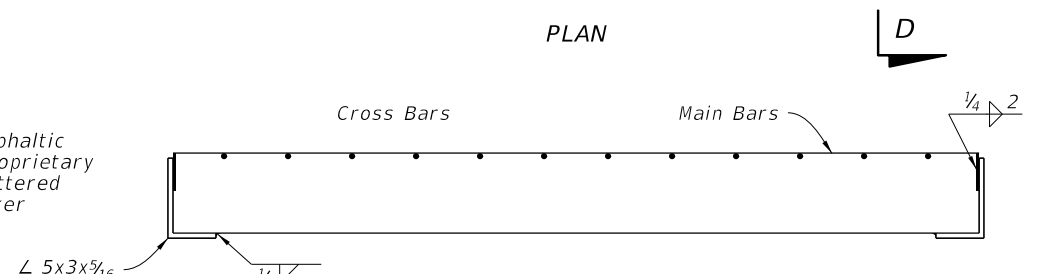
PLAN



SECTION A-A
(Pipe Opening Shown)



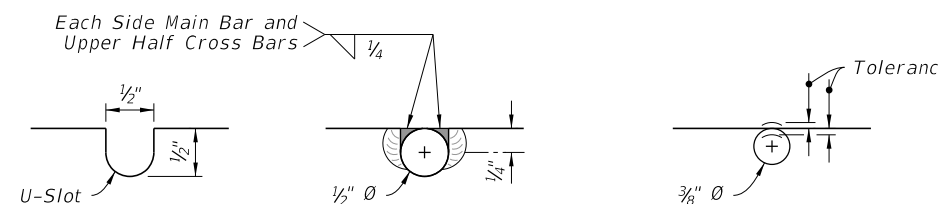
SECTION B-B
(Pipe Opening Not Shown)



SECTION C-C



SECTION D-D



WELDED

DETAIL "B"

ELECTROFORGED

DIMENSIONAL AND REINFORCEMENT

STEEL GRATE

DIMENSIONAL, REINFORCING, AND STEEL GRATE DETAILS

12/21/2020 1:18:16 PM

LAST REVISION	DESCRIPTION:
11/01/20	

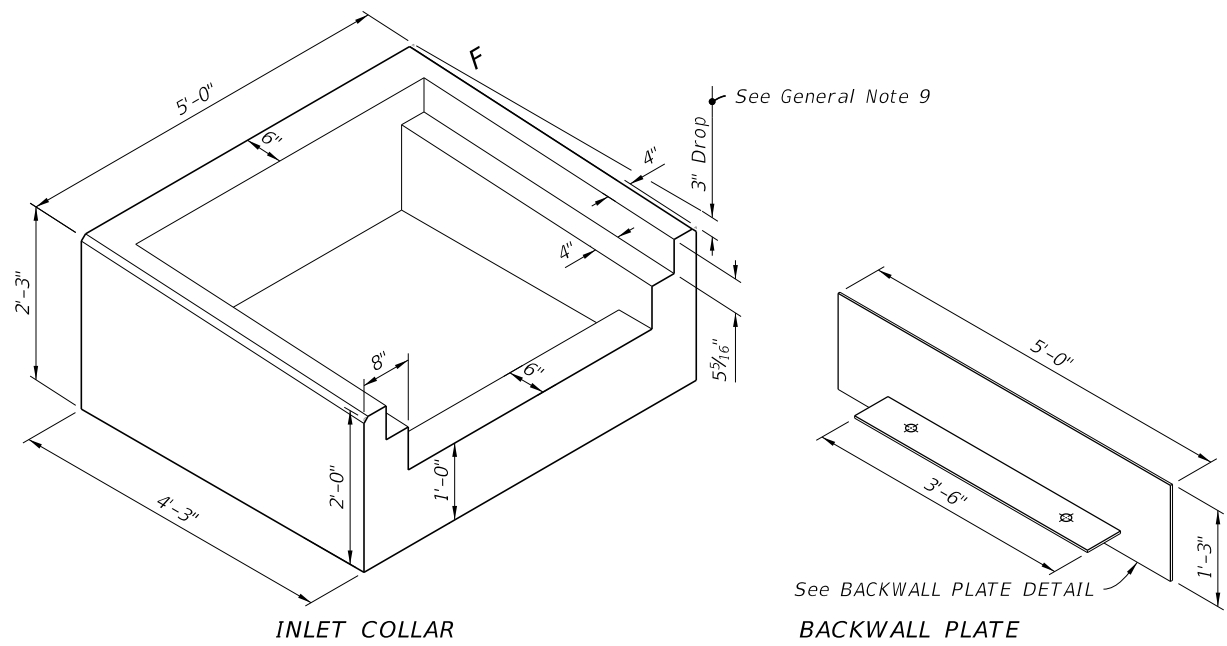


FY 2021-22
STANDARD PLANS

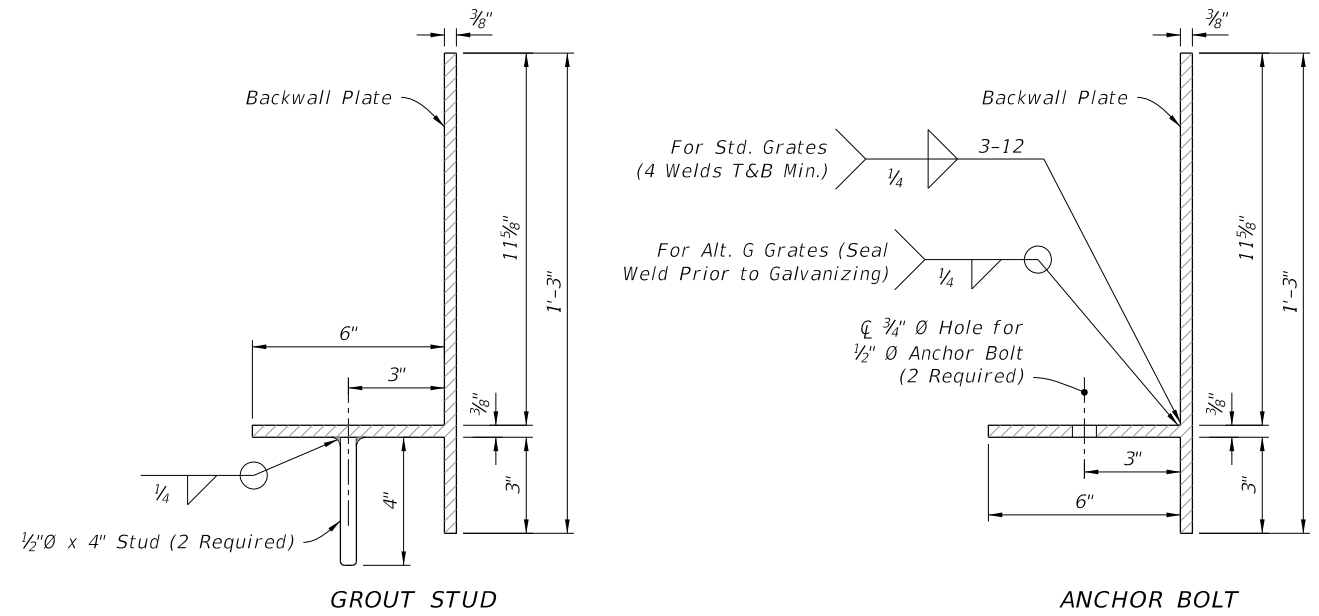
ADJACENT BARRIER INLET

INDEX
425-031

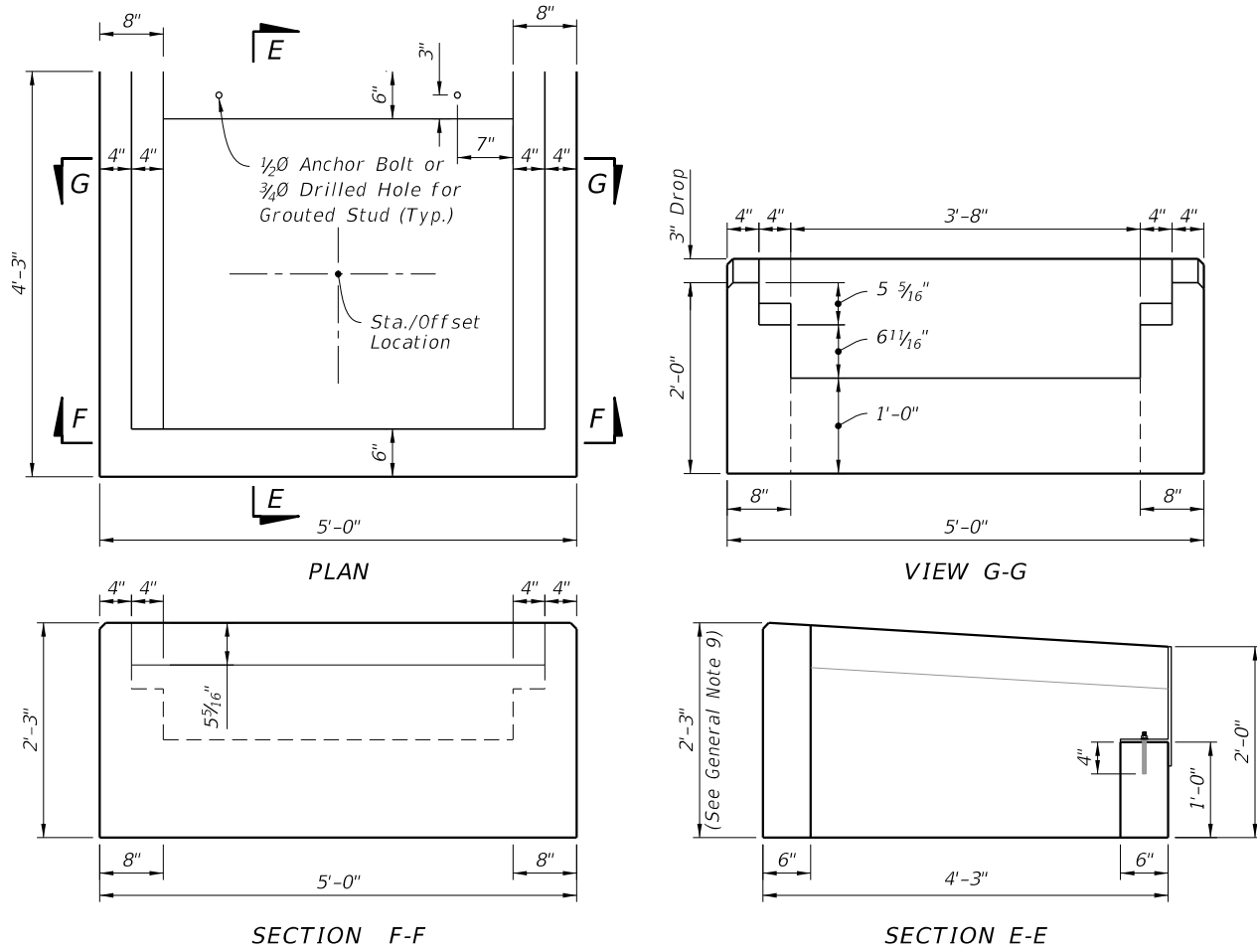
SHEET
2 of 4



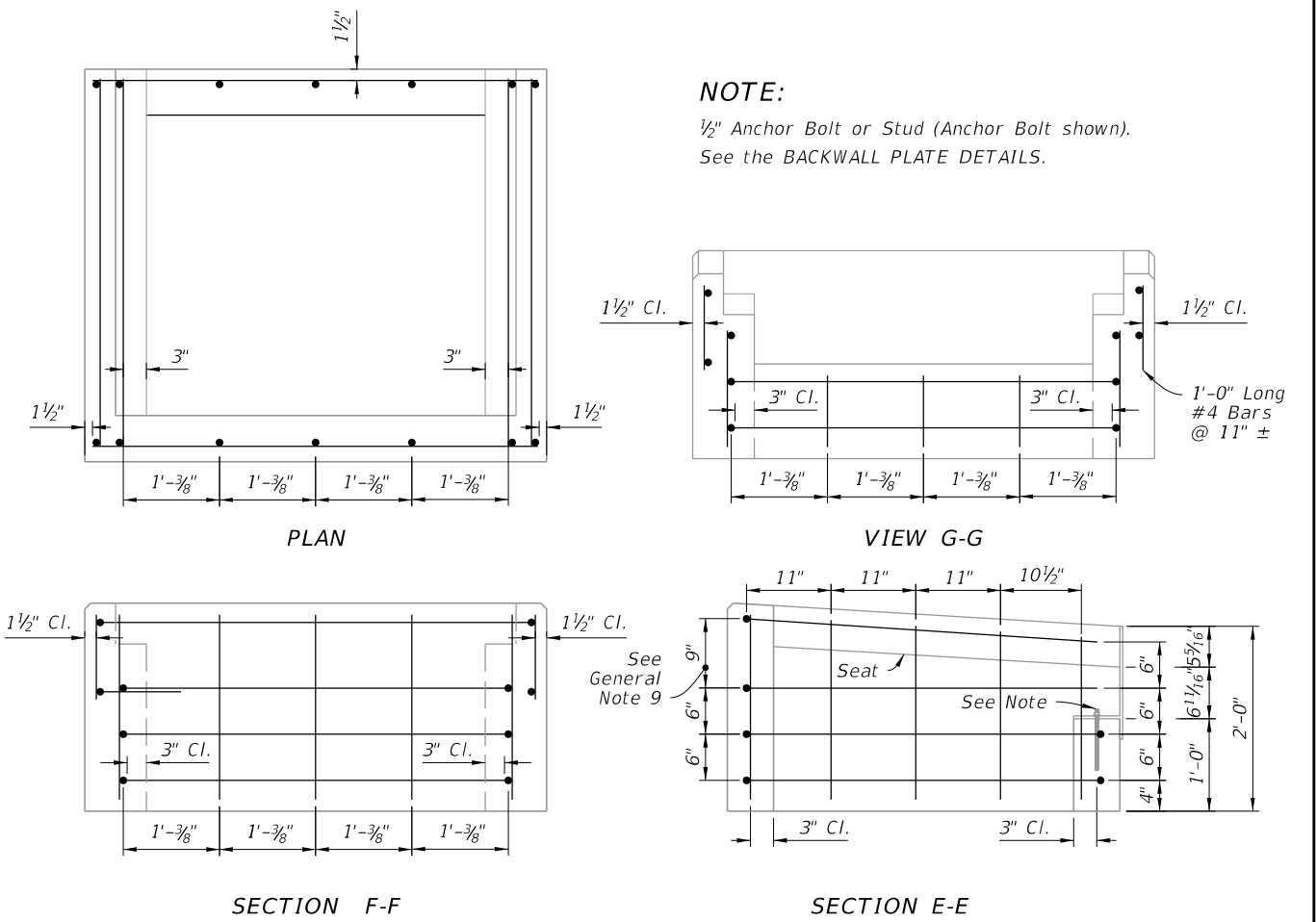
ISOMETRIC VIEW
(Grate Not Shown)



BACKWALL PLATE DETAIL



DIMENSIONAL DETAILS

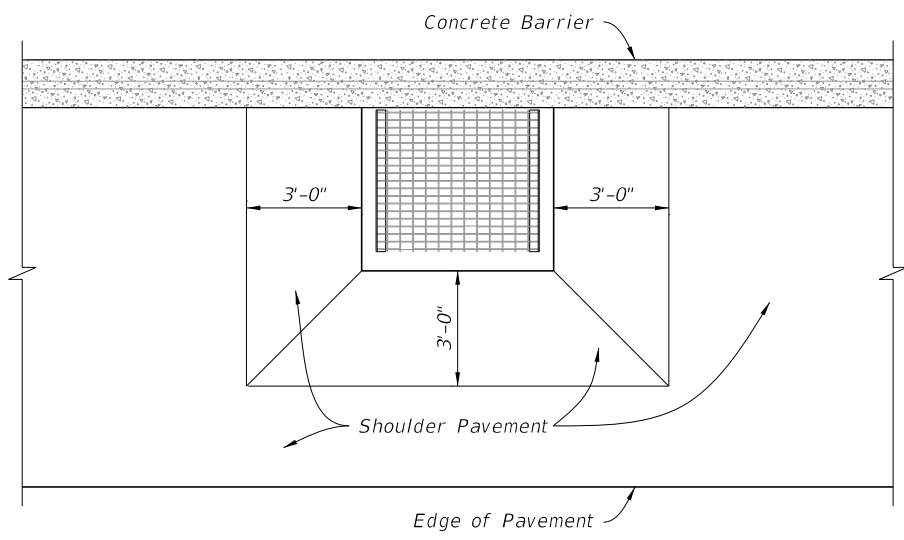


REINFORCING DETAILS

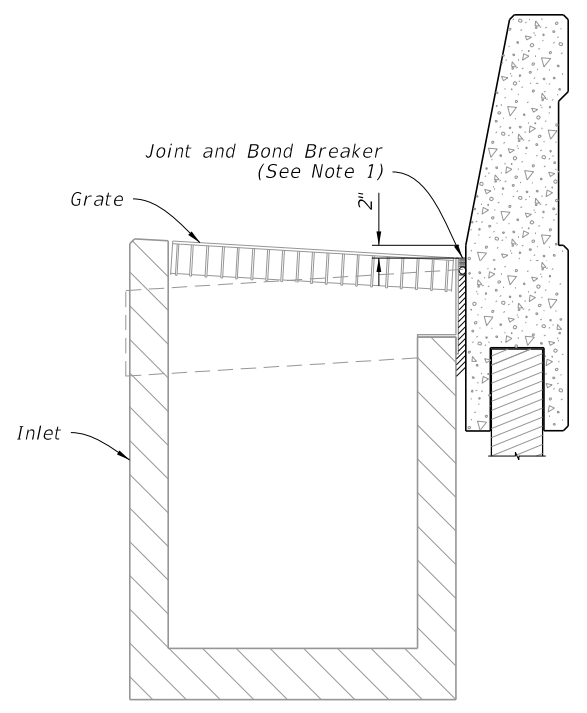
INLET COLLAR DIMENSIONAL, REINFORCING, AND BACKWALL PLATE DETAILS

10/12/2020 6:49:09 AM

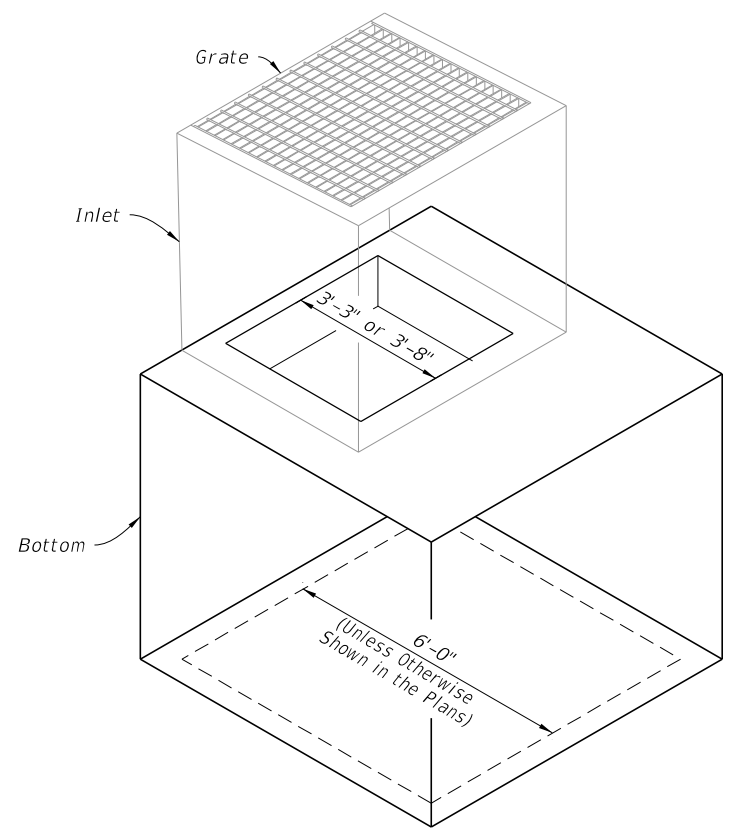
LAST REVISION 11/01/20	REVISION	DESCRIPTION:	FY 2021-22 STANDARD PLANS	ADJACENT BARRIER INLET		INDEX	SHEET
						425-031	3 of 4



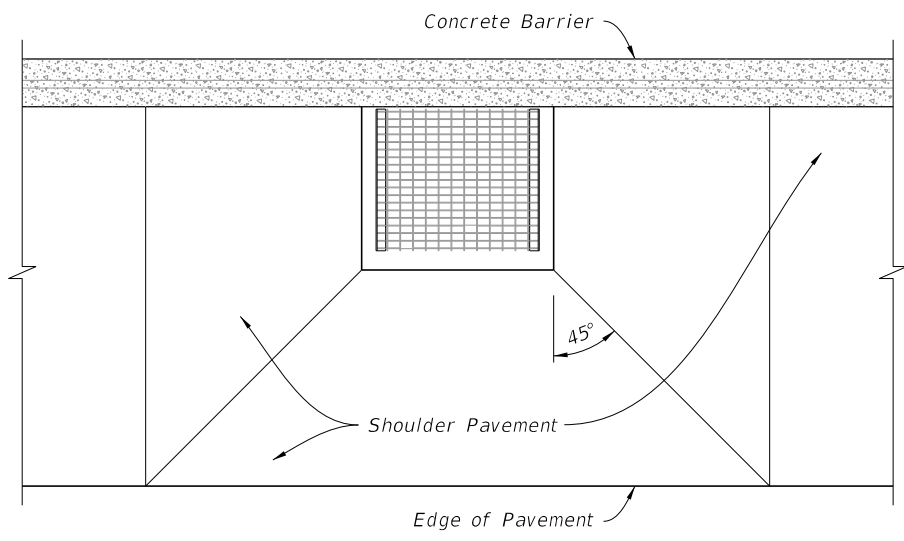
LOW SIDE SUPERELEVATION



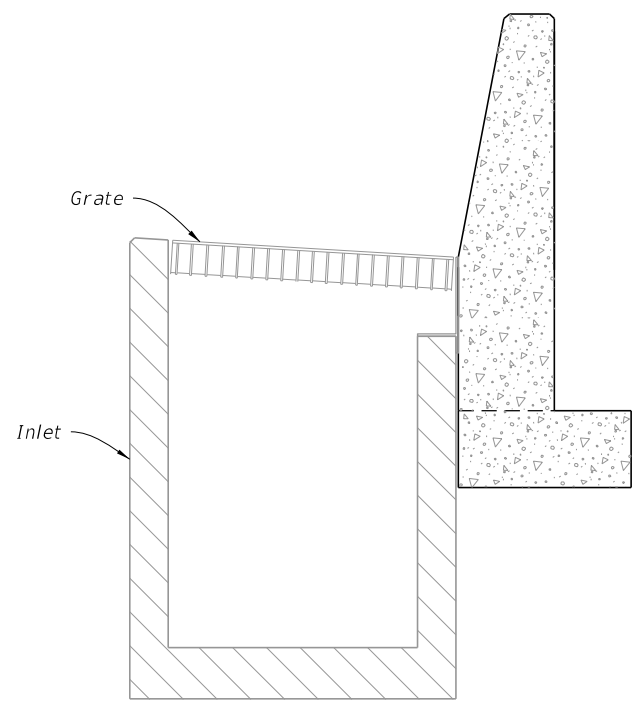
JUNCTION SLAB AND WALL COPING



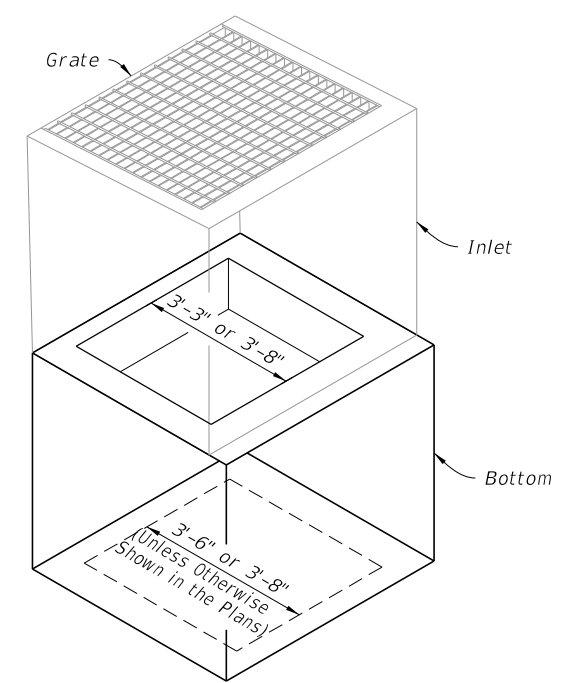
ALTERNATE B STRUCTURE BOTTOM



HIGH SIDE TRANSITION



STEM AND FOOTING



ALTERNATE B STRUCTURE BOTTOM

NOTE: Alt. B Structure Bottom Only. See Index 425-010

===== SUPERELEVATION SHOULDER PAVEMENT WRAP =====

===== BARRIER TYPE EXAMPLES =====

===== INLET WITH STRUCTURE BOTTOM =====

SHOULDER PAVEMENT WRAP, BARRIER TYPE EXAMPLES, AND STRUCTURE BOTTOMS

10/12/2020 6:49:17 AM

LAST REVISION	DESCRIPTION:
11/01/20	


**FY 2021-22
STANDARD PLANS**

ADJACENT BARRIER INLET

INDEX	SHEET
425-031	4 of 4