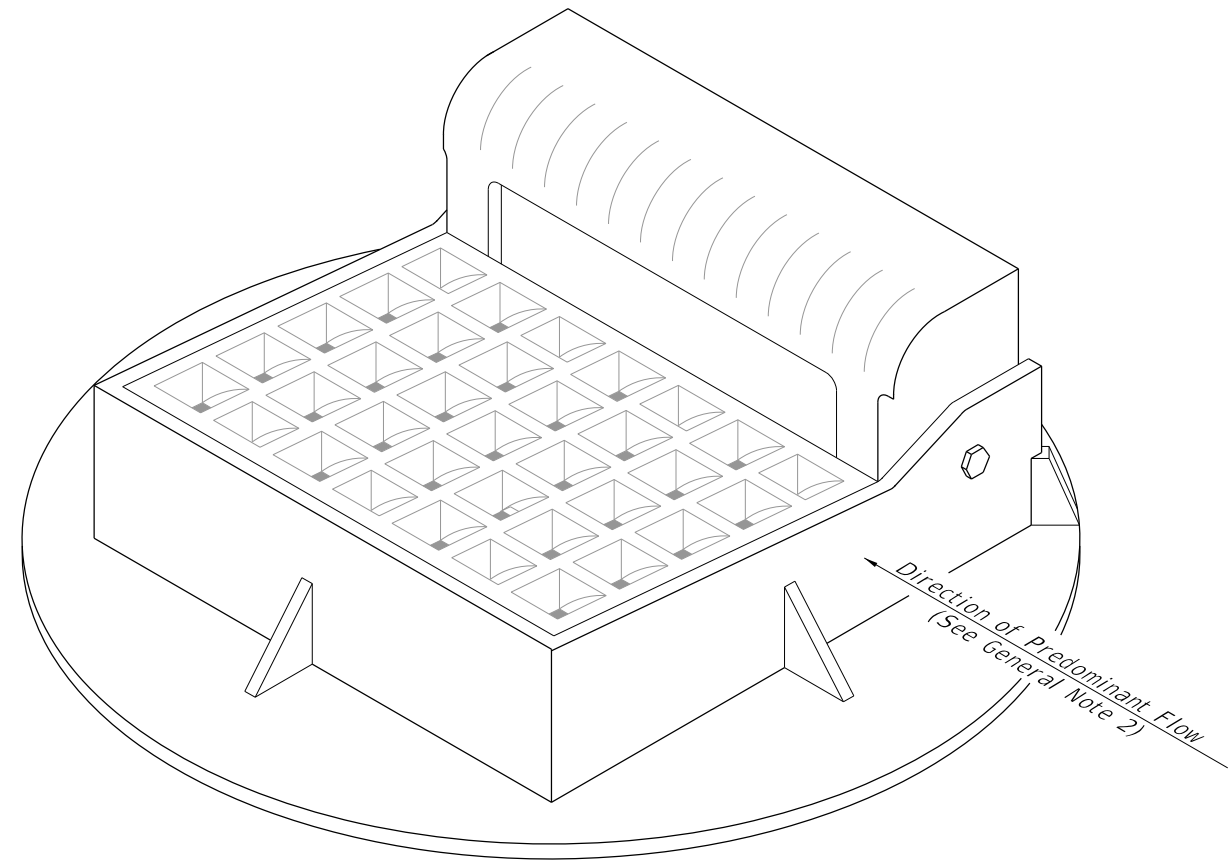


**GENERAL NOTES:**


1. Work this Index with Index 425-001 and Index 425-010.
2. Orient grate with vanes directed toward predominant flow.
3. Provide 1 1/4" minimum cover for steel in slab tops unless otherwise shown. Tops may be either cast-in-place or precast concrete.
4. Place top slab openings such that 2 edges of inlet frame will be located directly above bottom or riser walls, for Alternate B applications.
5. When used on a structure with dimensions larger than those detailed on Sheet 3 and risers are not applied, Construct the top slab using Index 425-010 with the slab opening adjusted to 22"x24". The "Special Top Slab" on Index 425-010 is not permitted.
6. Frame may be adjusted with one to six courses of brick.
7. Vaned grates with approximately equal openings that satisfy AASHTO HL-93 loading are permitted. Provide reversible (right or left) grates.

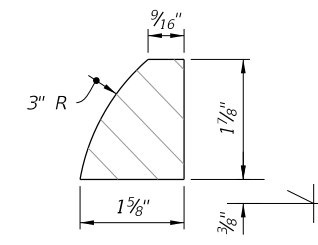
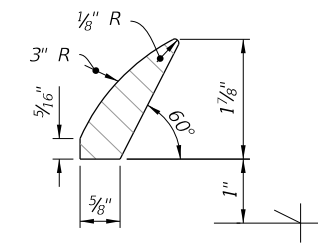
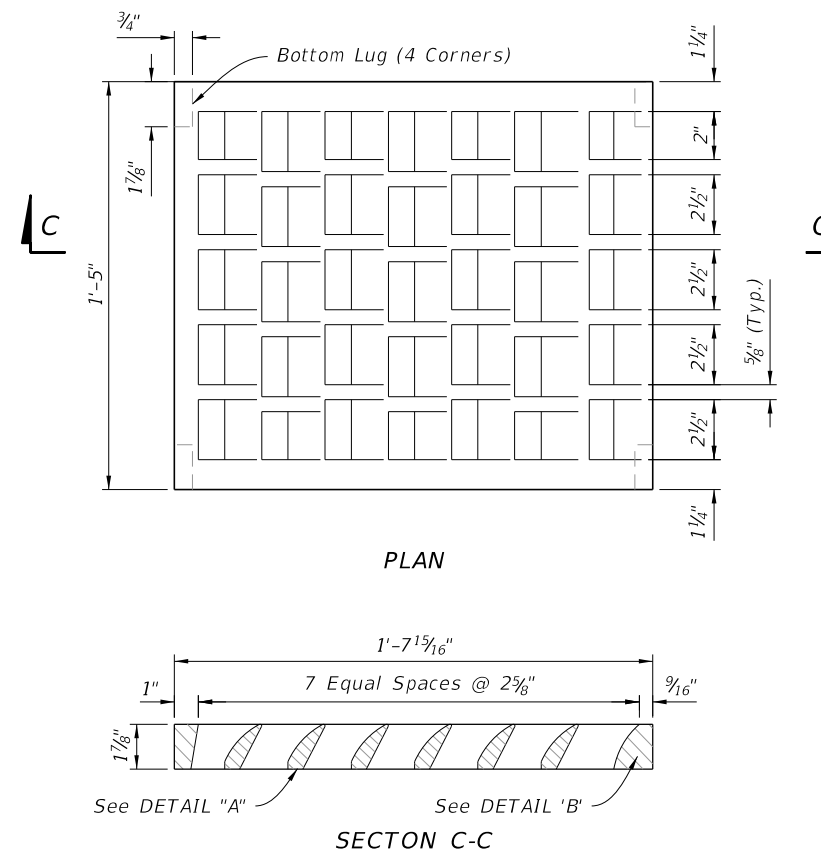
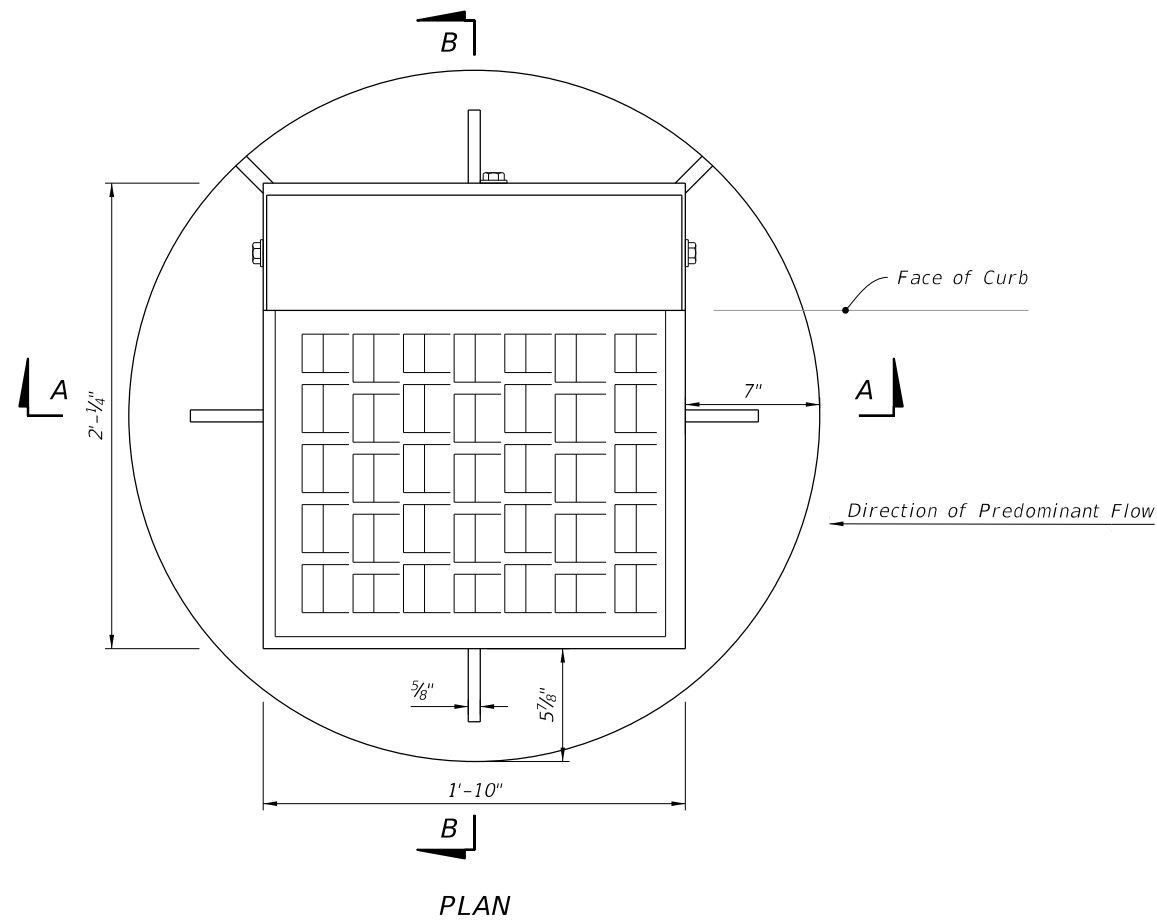
TABLE OF CONTENTS:	
Sheet	Description
1	General Notes and Contents
2	Frame and Grate Details
3	Top Slab Details



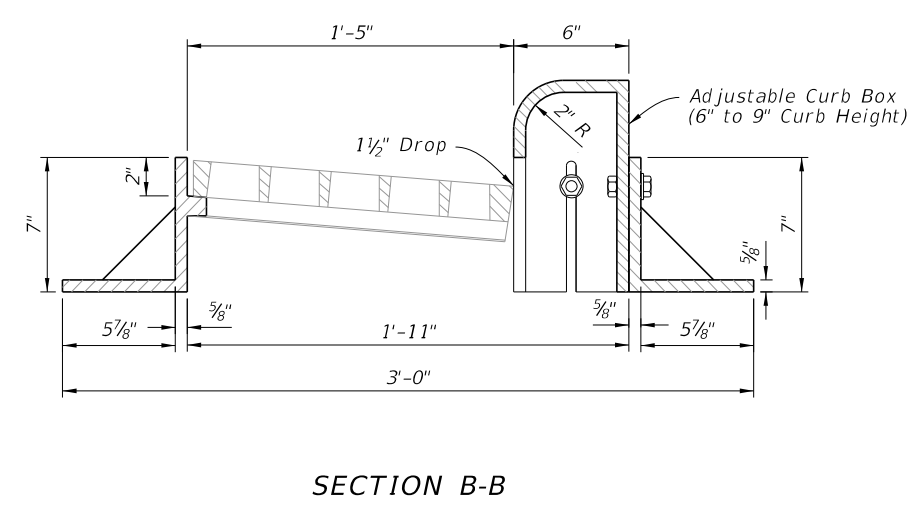
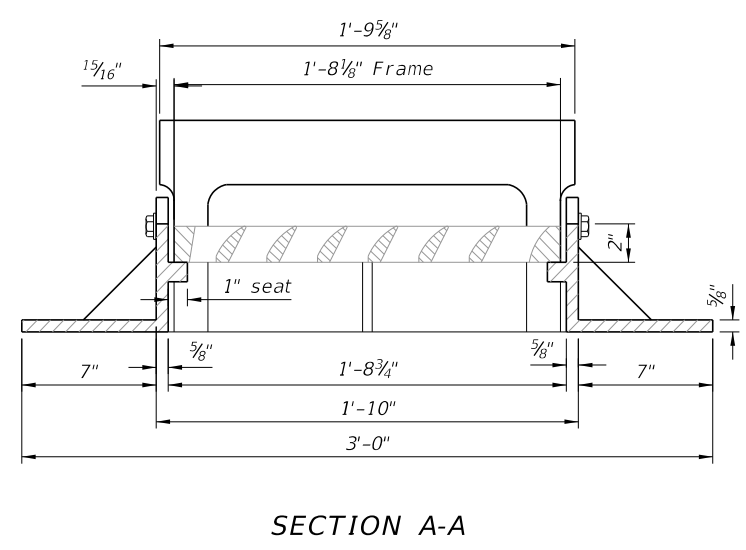
==== CURB INLET TOP TYPE 10 =====

10/12/2020 6:47:21 AM

LAST REVISION 11/01/20	REVISION	DESCRIPTION:	 FY 2021-22 STANDARD PLANS	CURB INLET TOP TYPE 10	INDEX 425-025	SHEET 1 of 3
---------------------------	----------	--------------	---	------------------------	------------------	-----------------



GRATE DETAILS

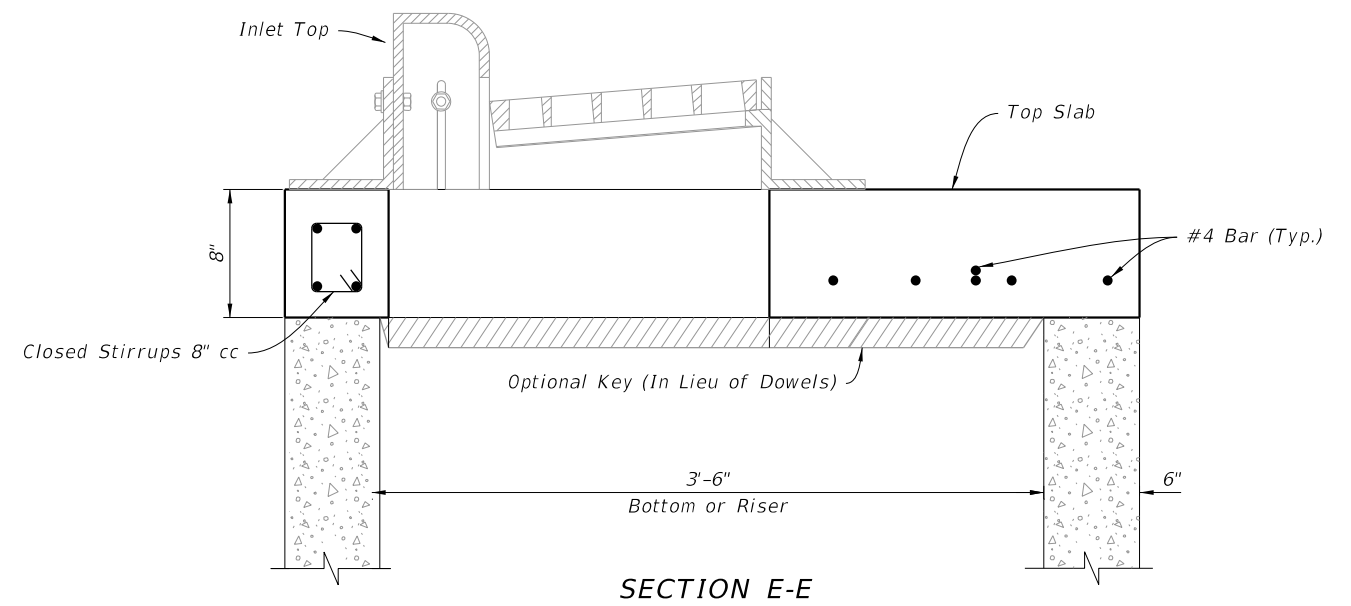
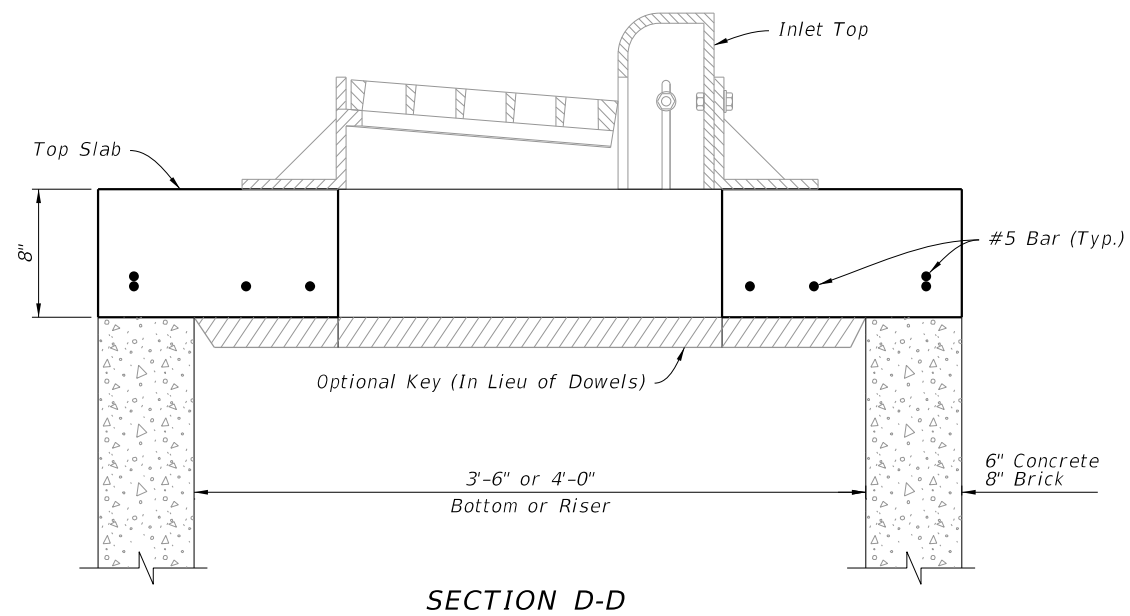
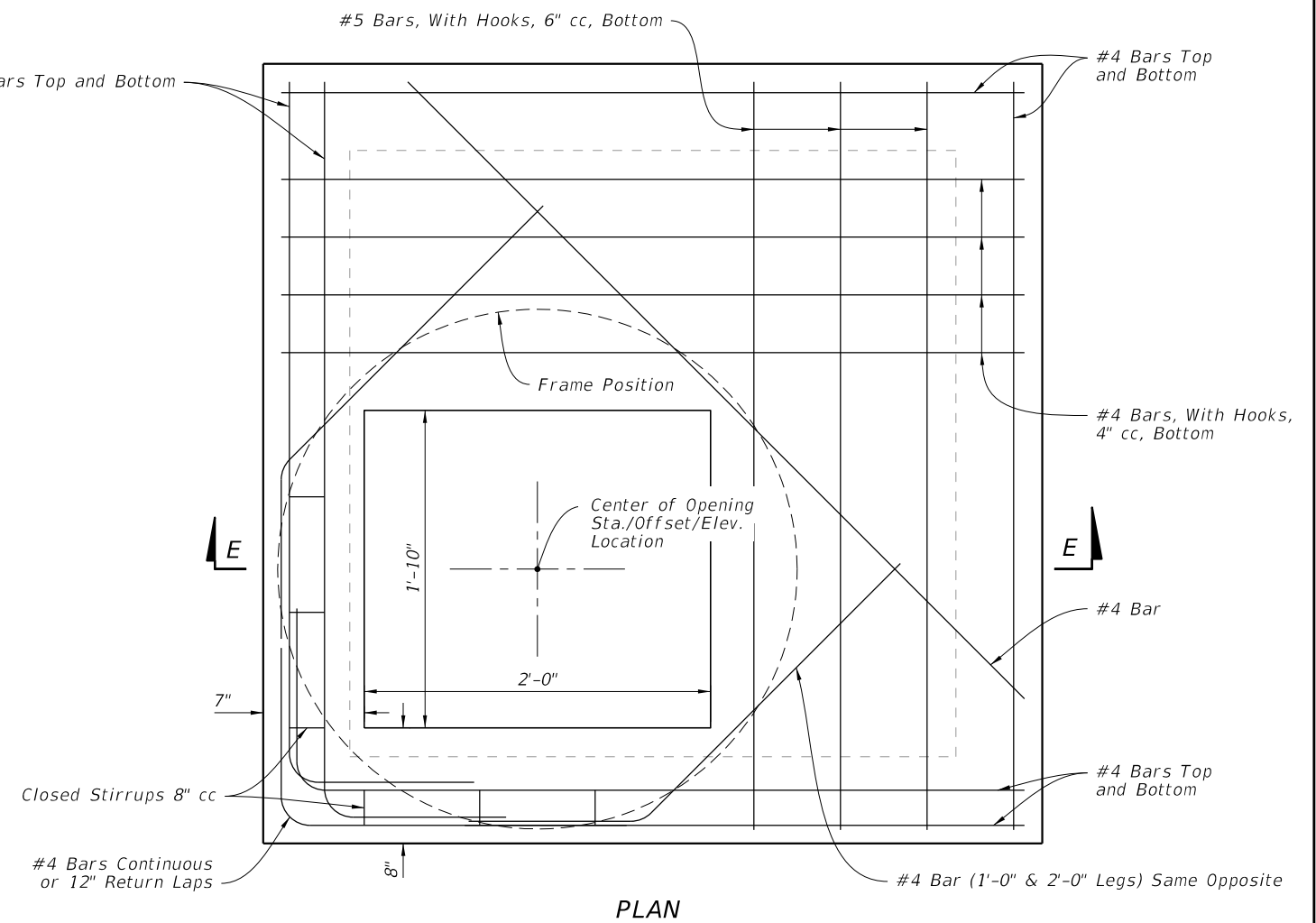
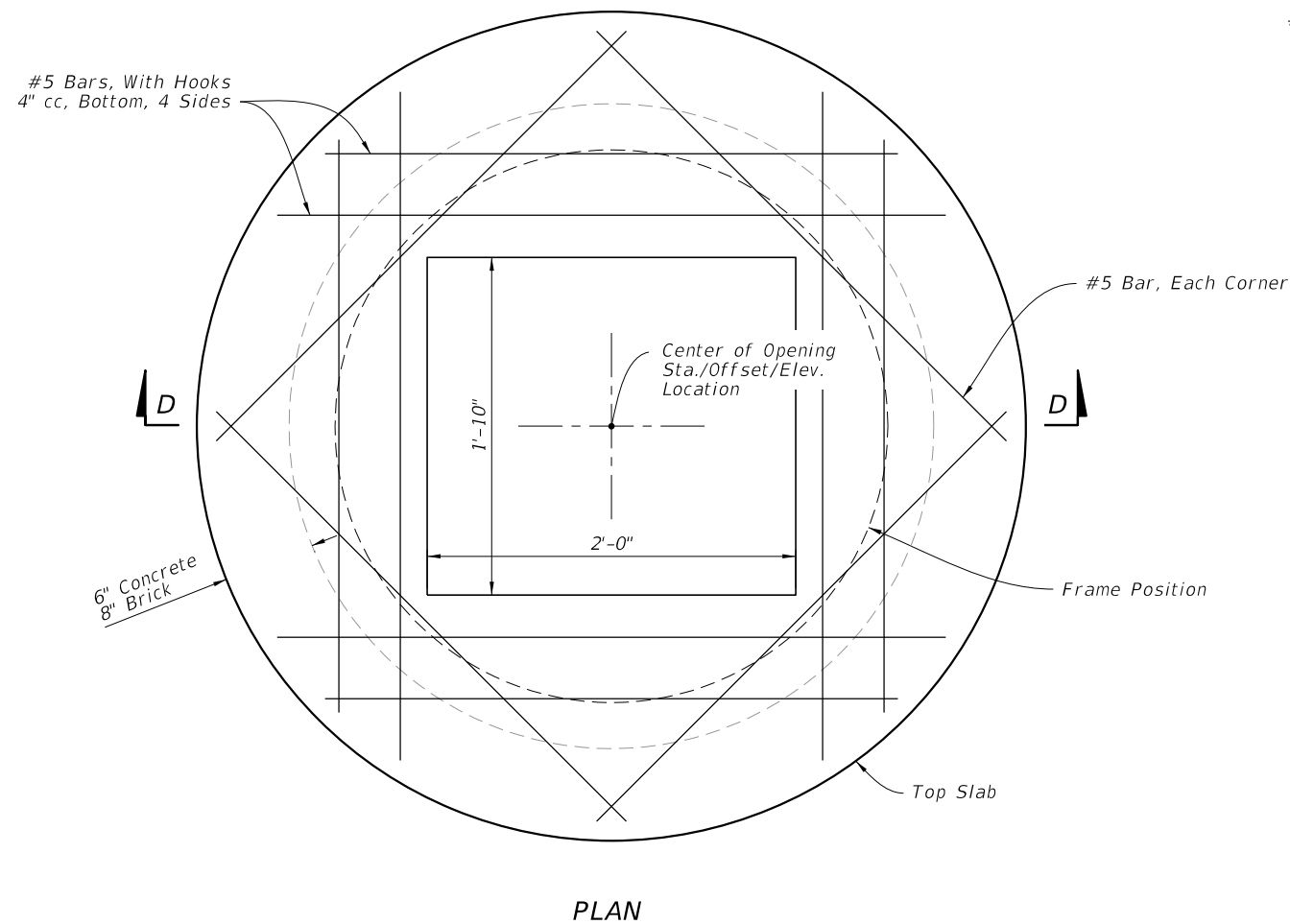


FRAME AND GRATE DETAILS

10/12/2020 6:47:23 AM

LAST REVISION 11/01/20	DESCRIPTION:		FY 2021-22 STANDARD PLANS	CURB INLET TOP TYPE 10	INDEX	SHEET
					425-025	2 of 3

FRAME AND GRATE DETAILS



10/12/2020 6:47:27 AM

LAST REVISION 11/01/20	REVISION	DESCRIPTION:
---------------------------	----------	--------------



FY 2021-22  
STANDARD PLANS

CURB INLET TOP TYPE 10

TOP SLAB DETAILS

INDEX 425-025	SHEET 3 of 3
------------------	-----------------