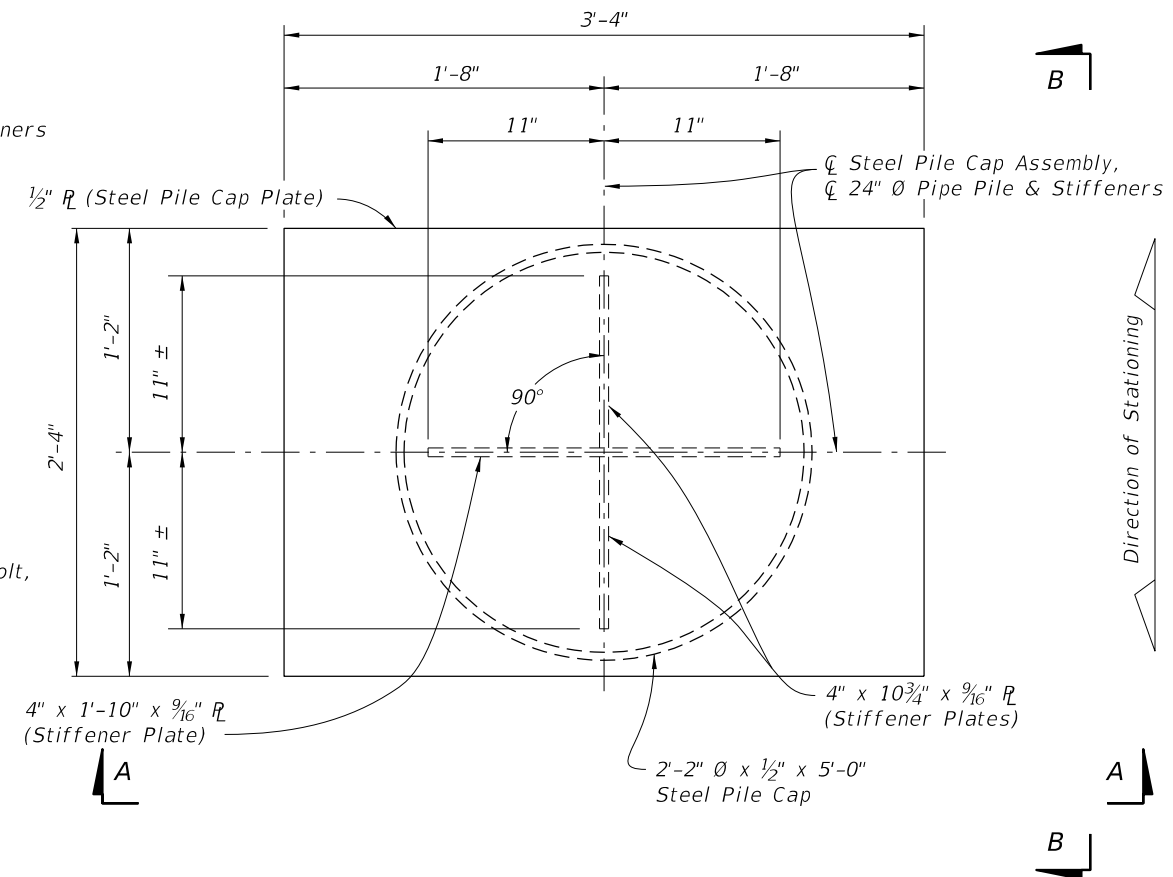
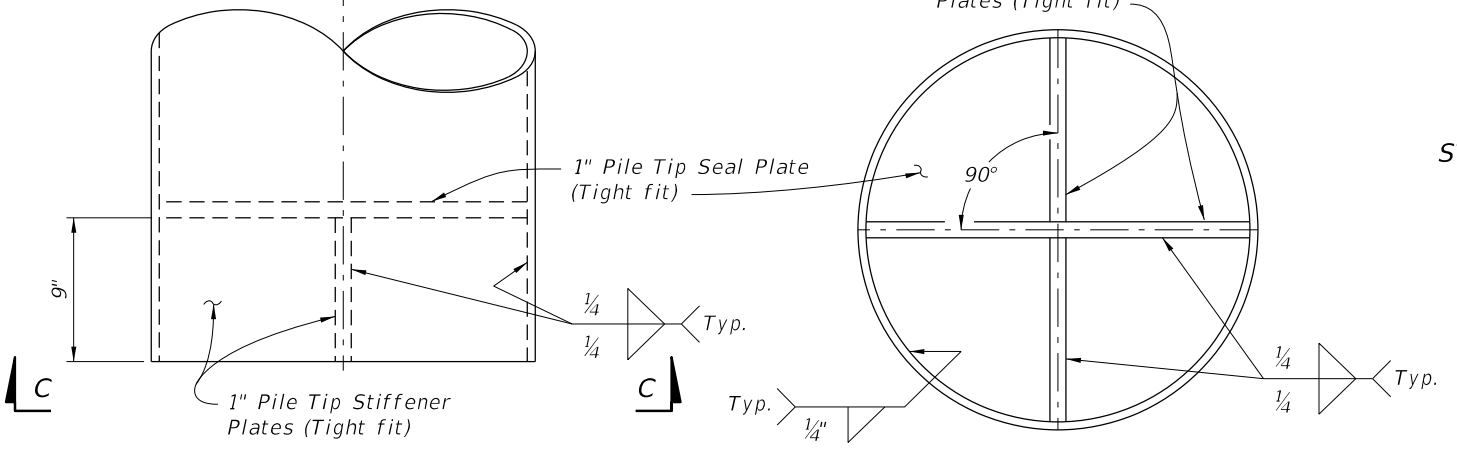


PARTIAL VIEW A-A

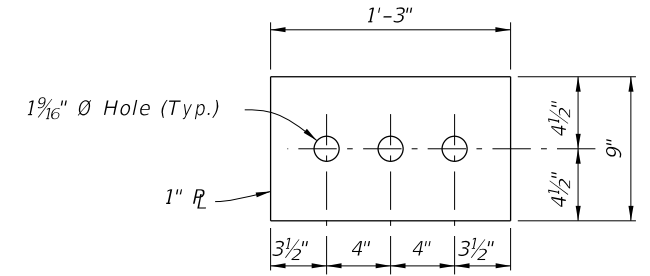


PLAN VIEW STEEL PILE CAP ASSEMBLY
(Bearing Plates and Bearing Keeper Bars not show for clarity)



VIEW B-B

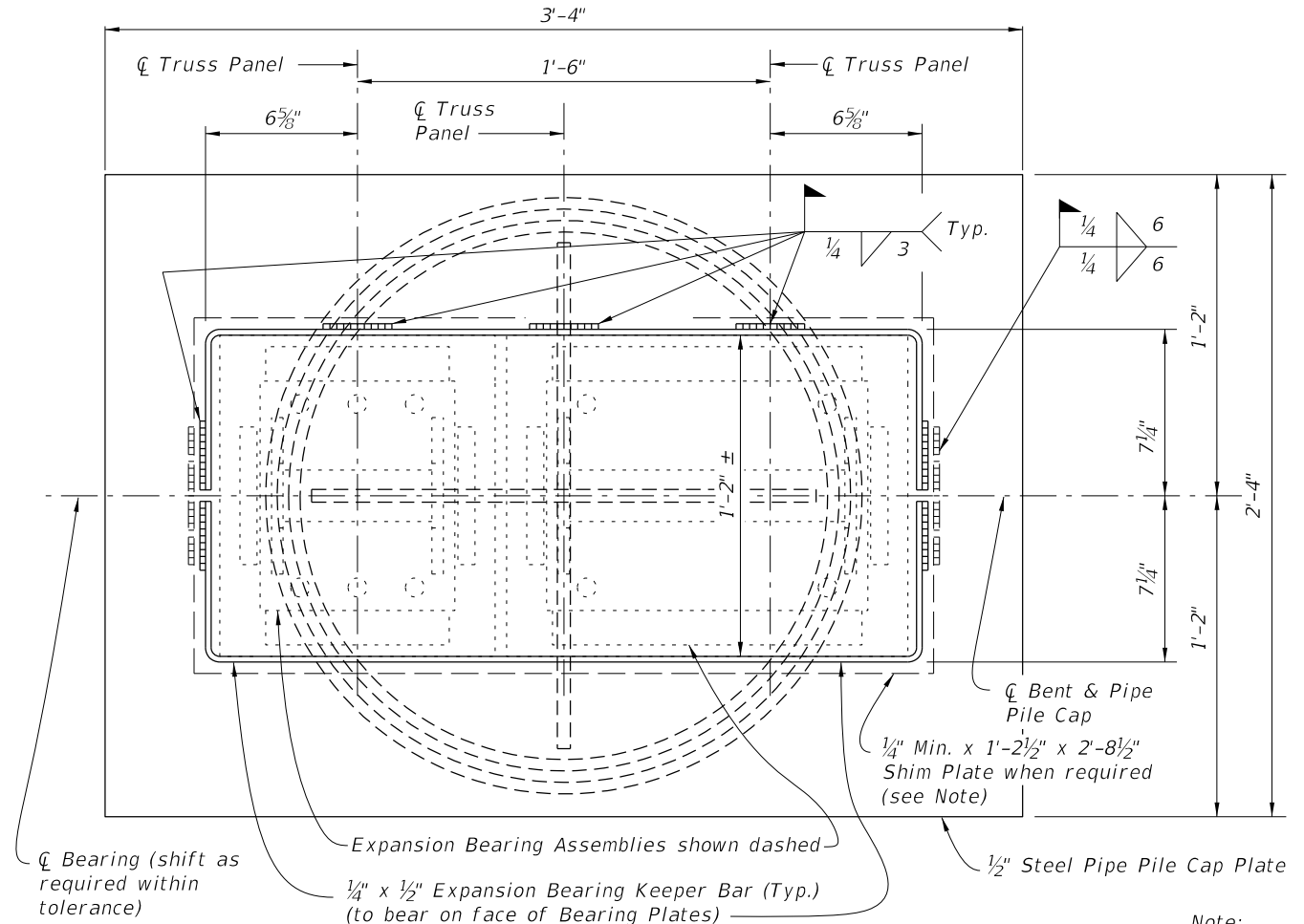
VIEW C-C
PILE TIP DETAIL



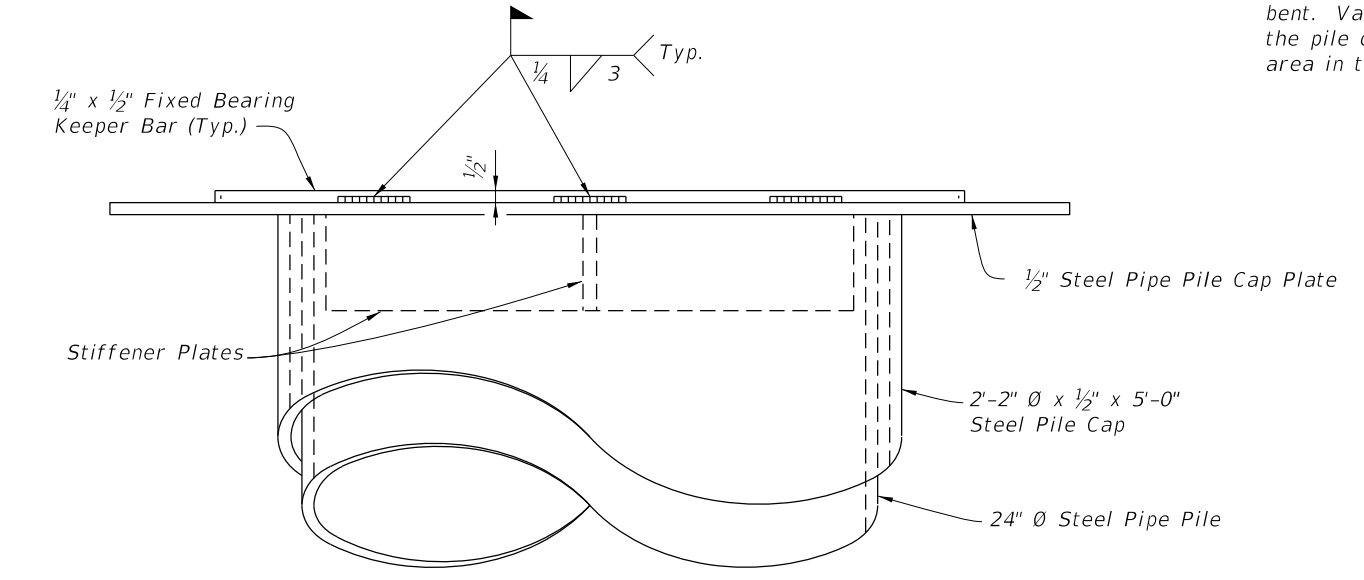
STRUT CONNECTOR PLATE DETAIL

10/8/2020 10:44:23 AM

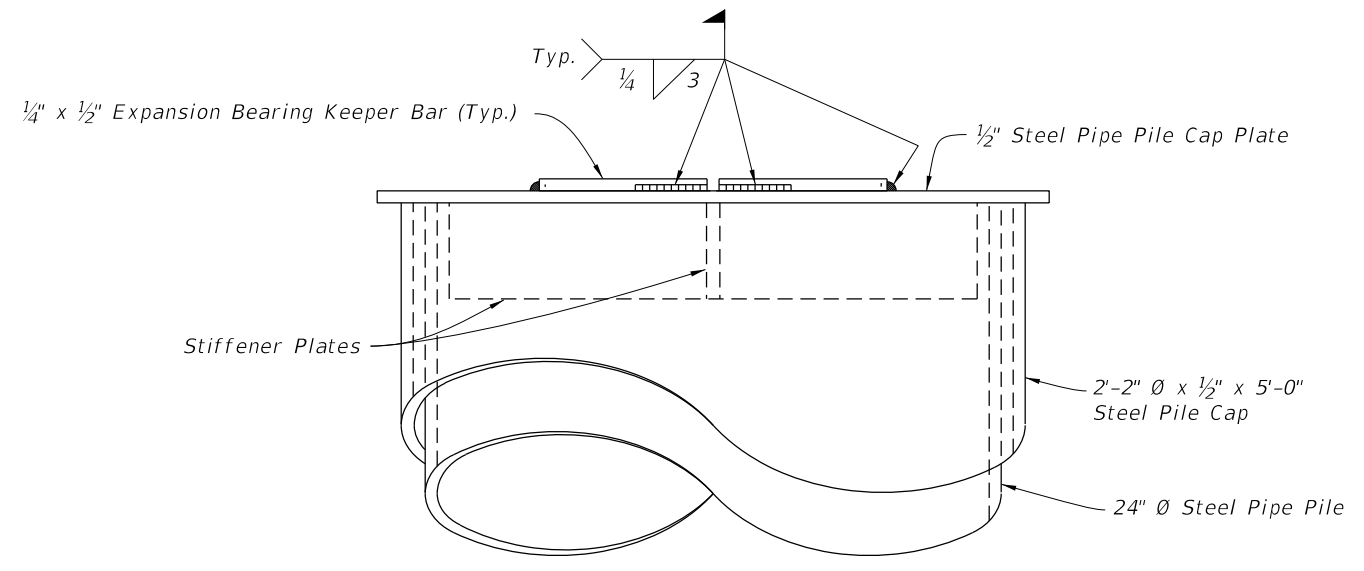
LAST REVISION 07/01/15	REVISION	DESCRIPTION:	 FY 2021-22 STANDARD PLANS	TEMPORARY DETOUR BRIDGE DETAILS STEEL PIPE PILE FOUNDATIONS	INDEX 102-230	SHEET 1 of 3
---------------------------	----------	--------------	--	--	------------------	-----------------



PARTIAL PLAN VIEW

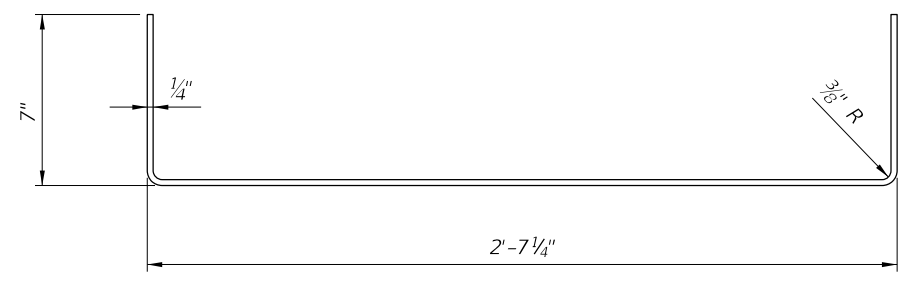


PARTIAL ELEVATION VIEW



END VIEW

Note:
Use Shim Plates as required to provide equal bearing seat elevations across the bent. Vary thickness of Shim Plate across the pile cap plate to provide a level bearing area in the transverse direction.



EXPANSION BEARING KEEPER BAR DETAIL

ABUTMENT AND INTERMEDIATE EXPANSION BEARING DETAILS

10/8/2020 10:44:27 AM

LAST REVISION 01/01/16	DESCRIPTION:		FY 2021-22 STANDARD PLANS	TEMPORARY DETOUR BRIDGE DETAILS STEEL PIPE PILE FOUNDATIONS	INDEX	SHEET
					102-230	3 of 3