

**FIXED BEARING KEEPER BAR DETAIL**

===== **FIXED BEARING DETAILS** =====

**EXPANSION BEARING KEEPER BAR DETAIL**

===== **EXPANSION BEARING DETAILS** =====

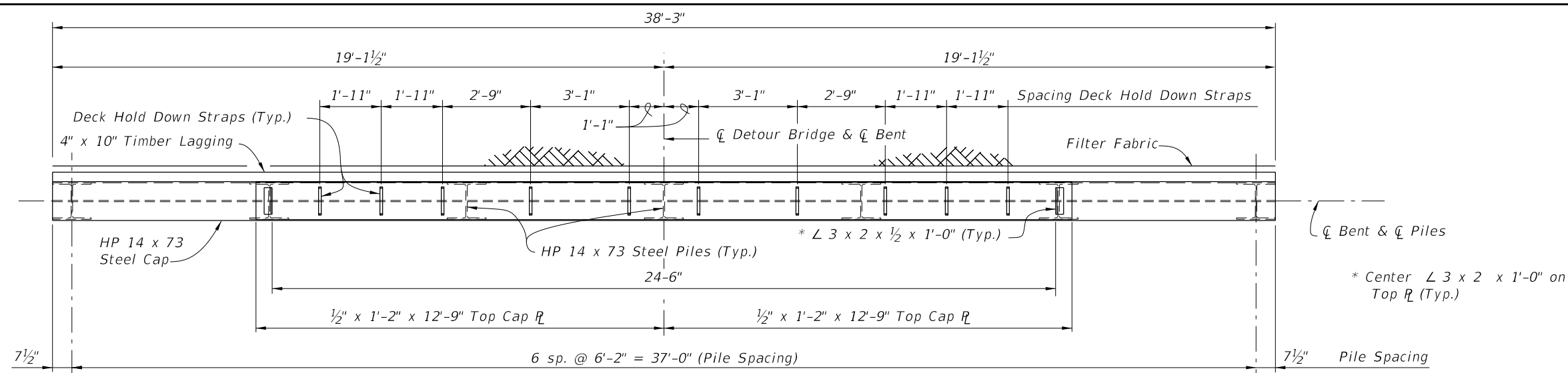
10/8/2020 10:44:40 AM

LAST REVISION 01/01/16	REVISION	DESCRIPTION:
---------------------------	----------	--------------

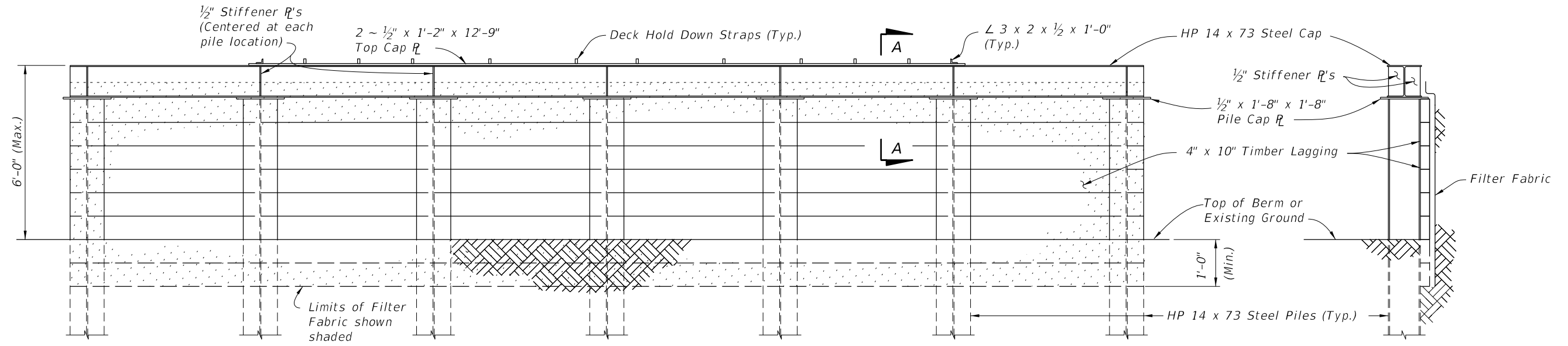


TEMPORARY DETOUR BRIDGE DETAILS  
STEEL H PILE FOUNDATIONS

INDEX 102-220	SHEET 1 of 2
------------------	-----------------

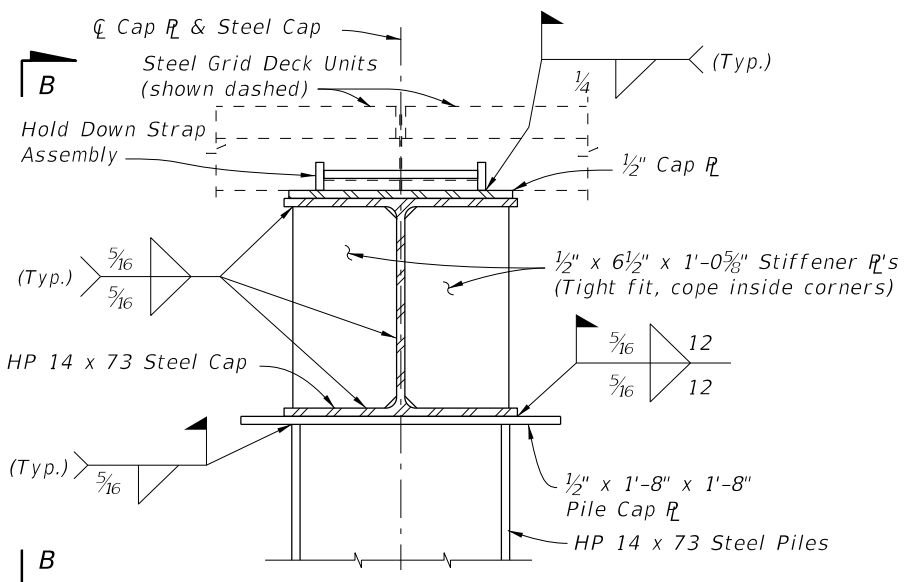


PLAN VIEW

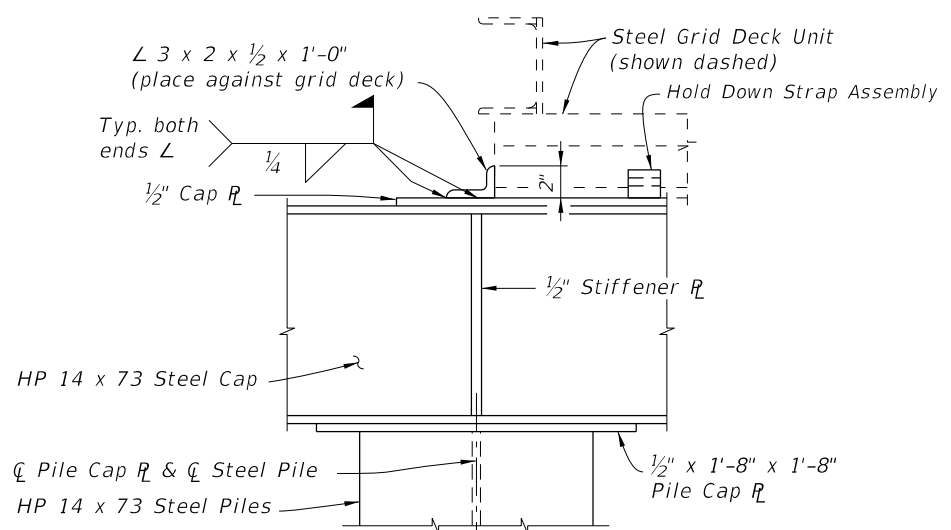


ELEVATION VIEW

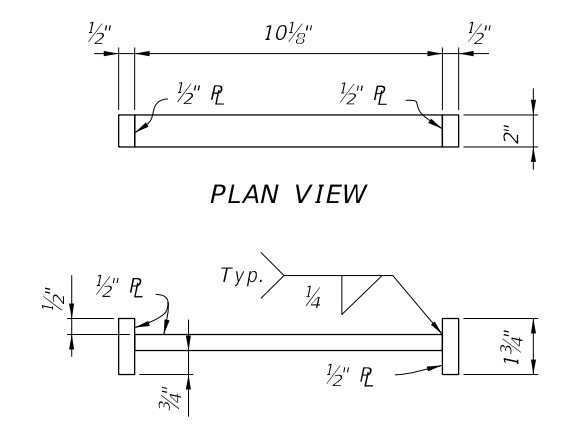
END VIEW



SECTION A-A  
(LAGGING NOT SHOWN FOR CLARITY)



VIEW B-B



HOLD DOWN STRAP ASSEMBLY DETAIL

BACKWALL BENT DETAILS

10/8/2020 10:44:42 AM

LAST REVISION 07/01/06	REVISION	DESCRIPTION:		FY 2021-22 STANDARD PLANS	TEMPORARY DETOUR BRIDGE DETAILS STEEL H PILE FOUNDATIONS	INDEX 102-220	SHEET 2 of 2
---------------------------	----------	--------------	--	------------------------------	---	------------------	-----------------