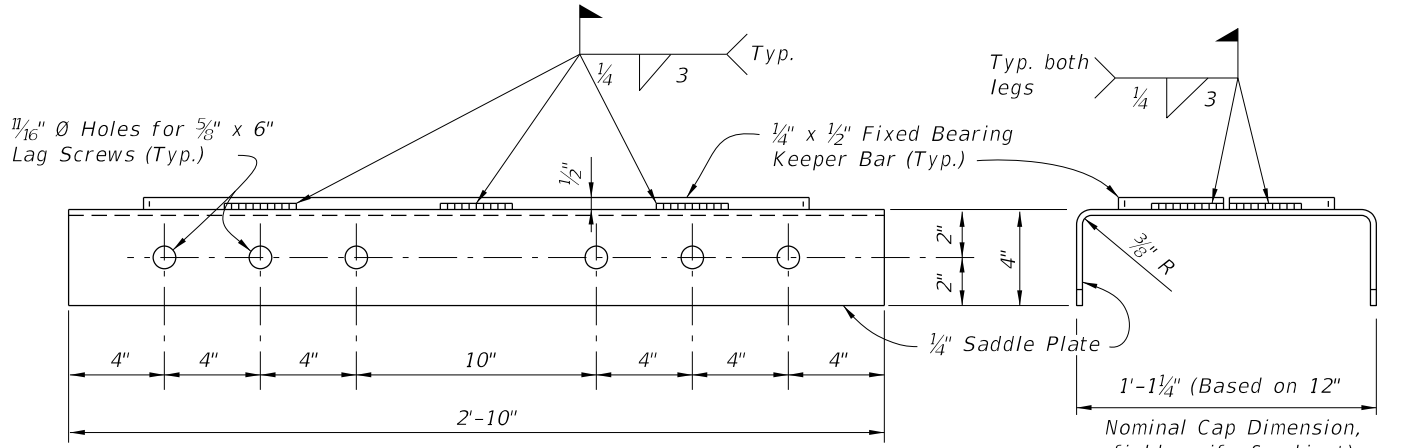
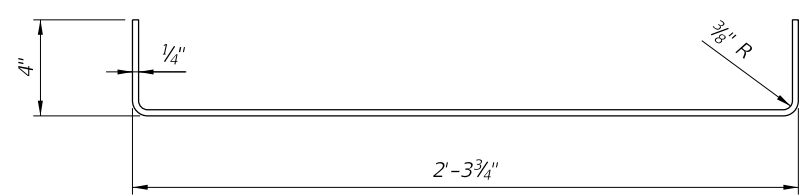


PLAN VIEW



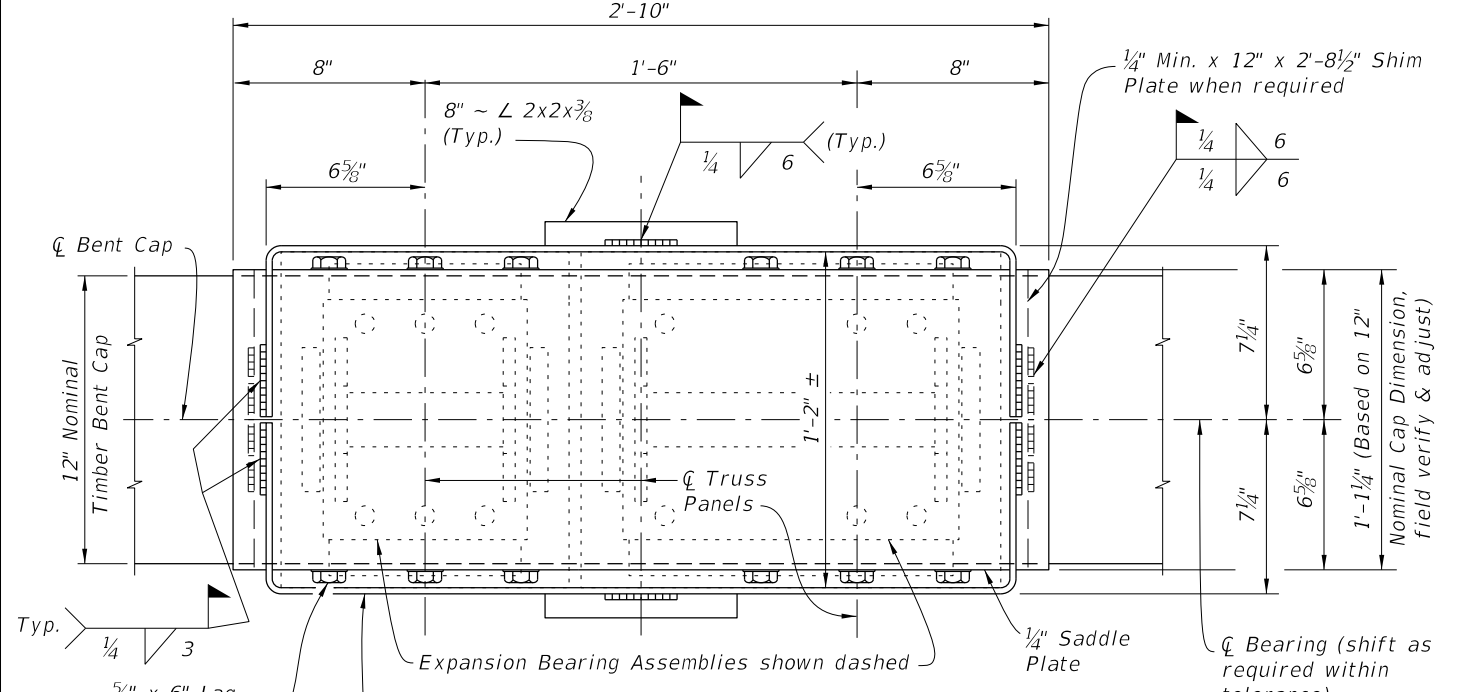
ELEVATION VIEW OF SADDLE PLATE

END VIEW

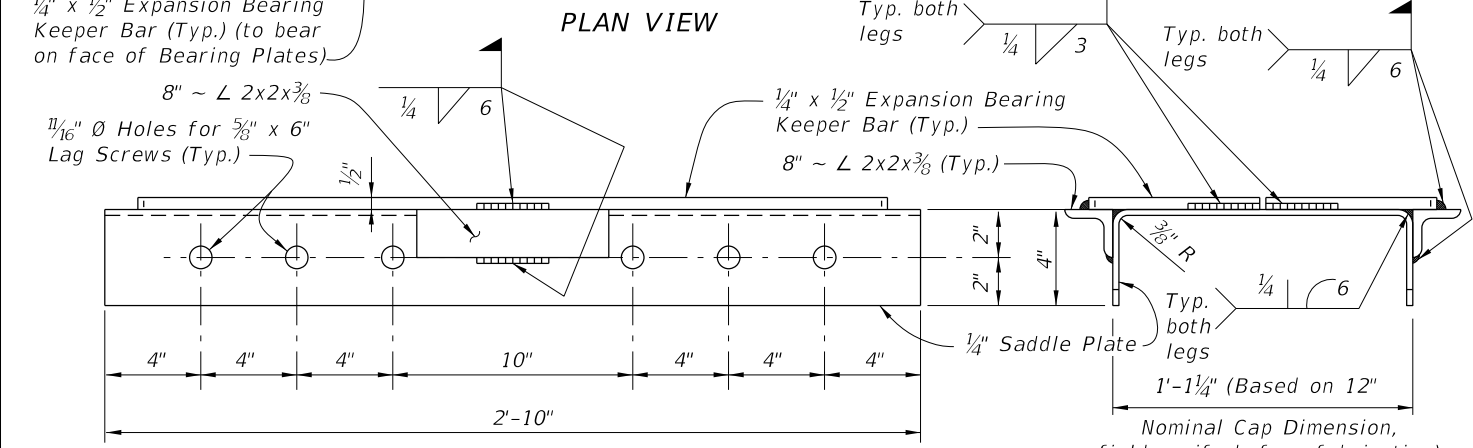


FIXED BEARING KEEPER BAR DETAIL

FIXED BEARING DETAILS

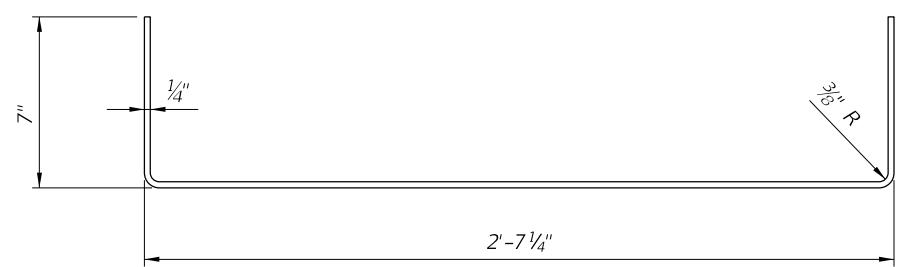


PLAN VIEW



ELEVATION VIEW OF SADDLE PLATE

END VIEW



EXPANSION BEARING KEEPER BAR DETAIL

EXPANSION BEARING DETAILS

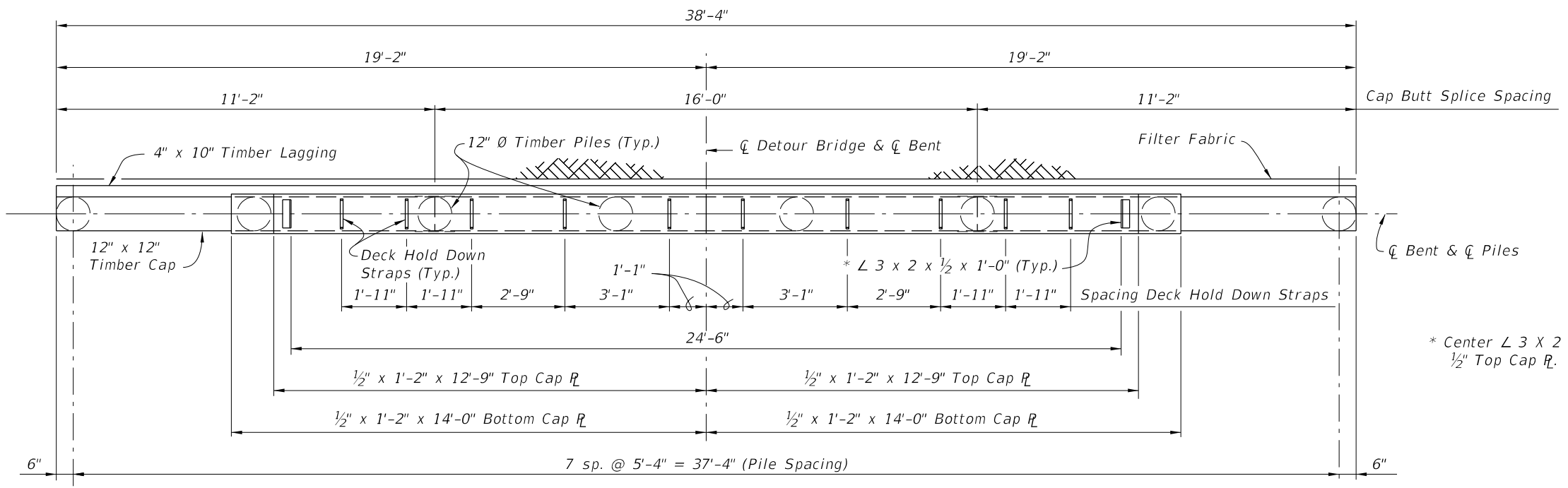
10/8/2020 10:44:55 AM

LAST REVISION	DESCRIPTION:
01/01/16	

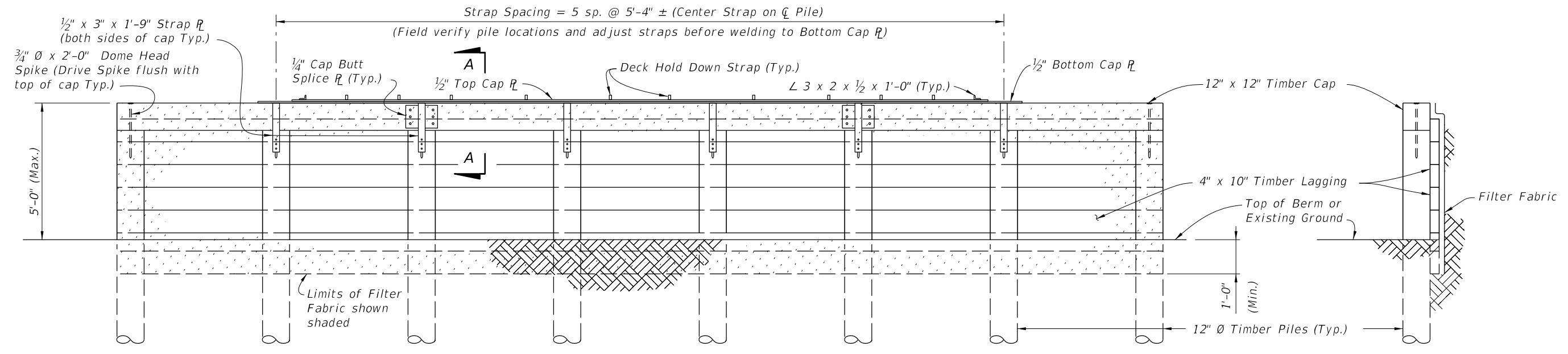
**FY 2021-22  
STANDARD PLANS**

**TEMPORARY DETOUR BRIDGE  
TIMBER PILE FOUNDATIONS**

INDEX	SHEET
102-210	1 of 3



PLAN VIEW



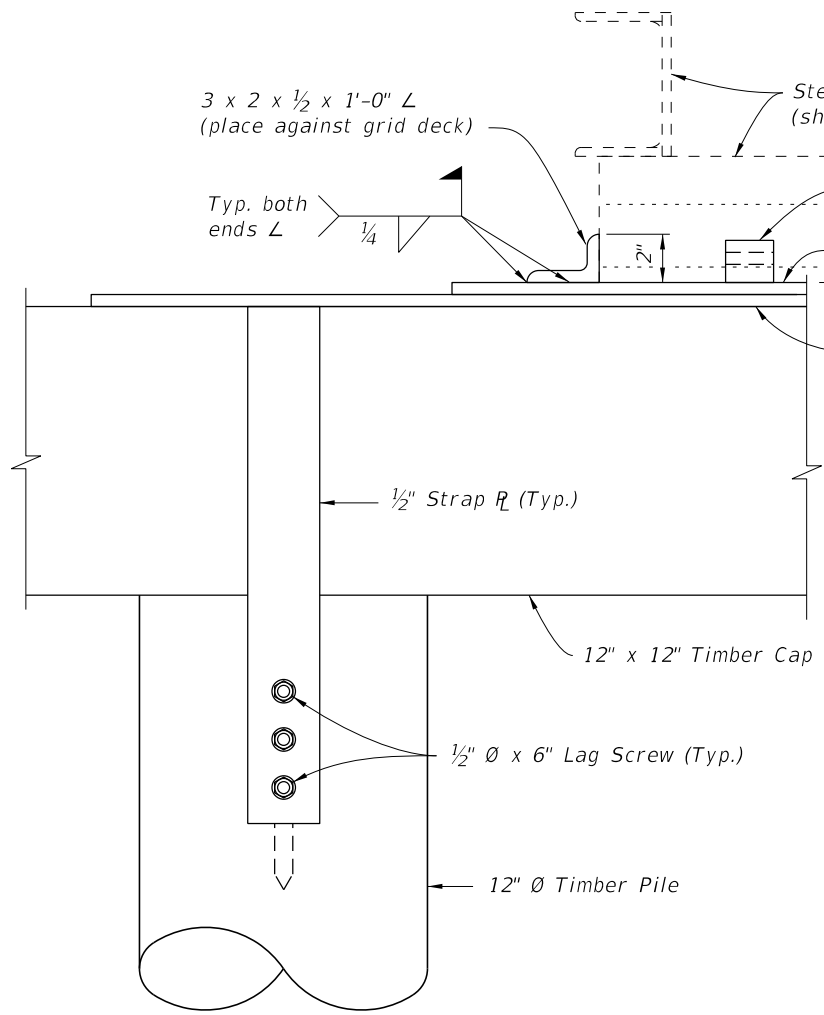
ELEVATION VIEW

END VIEW

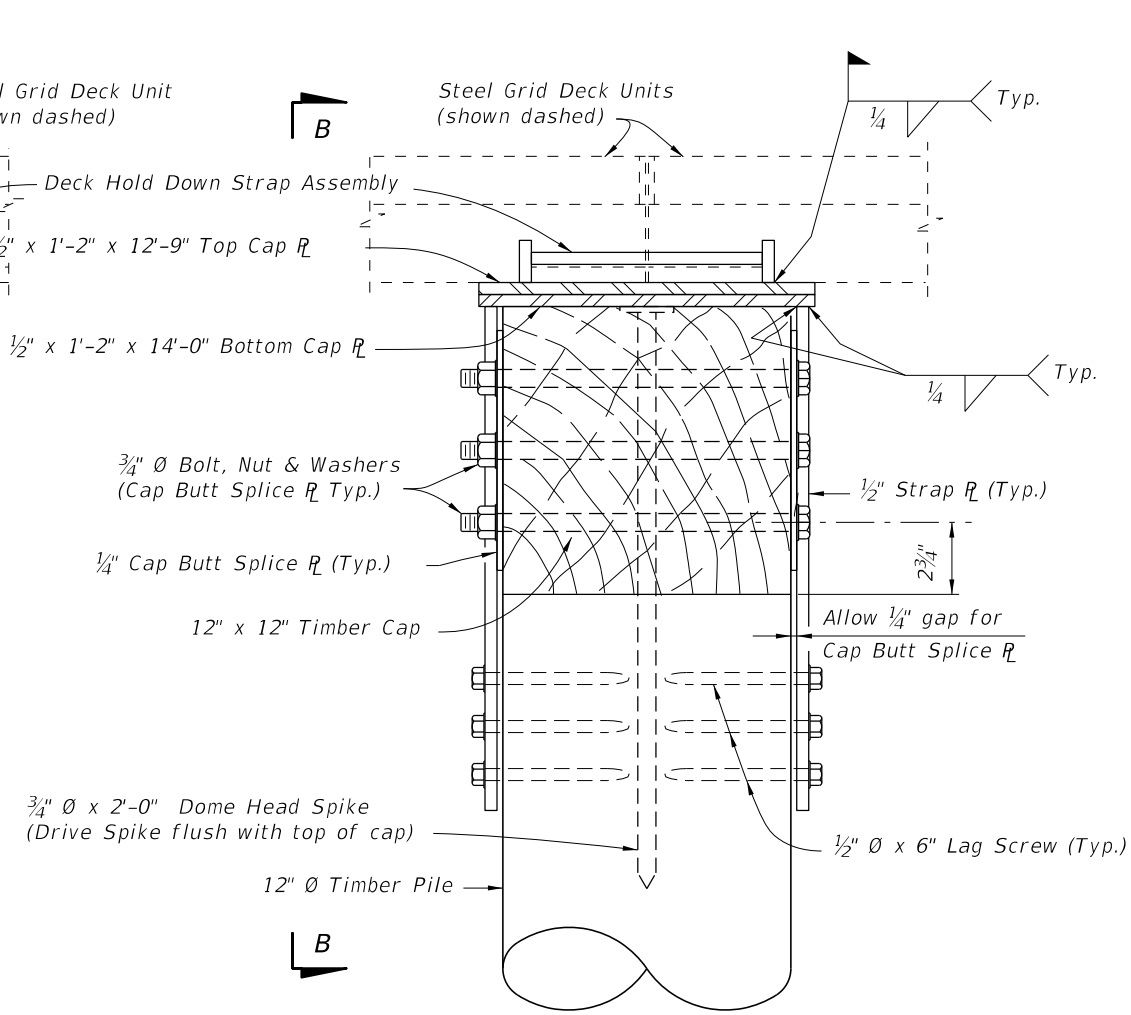
BACKWALL BENT DETAILS

10/8/2020 10:44:57 AM

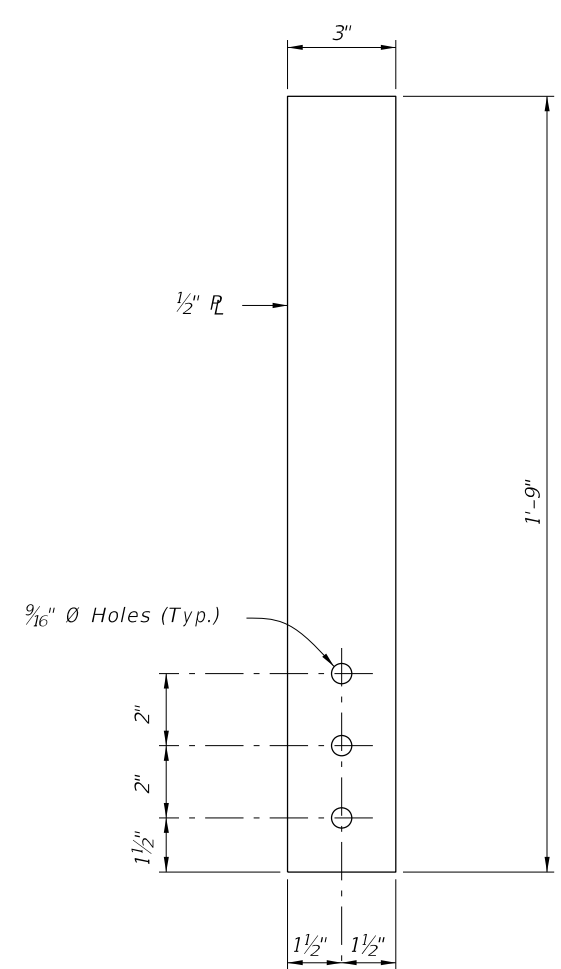
LAST REVISION 07/01/06	REVISION	DESCRIPTION:	 FY 2021-22 STANDARD PLANS	TEMPORARY DETOUR BRIDGE TIMBER PILE FOUNDATIONS	INDEX 102-210	SHEET 2 of 3
---------------------------	----------	--------------	----------------------------------------------------------------------------------------------------------------------	----------------------------------------------------	------------------	-----------------



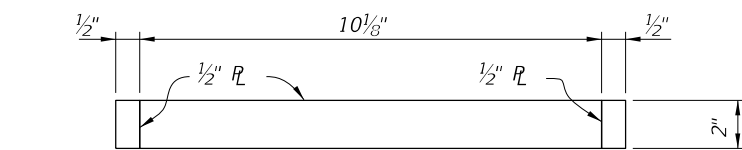
VIEW B-B  
 (SHOWING END OF CAP PLATES)



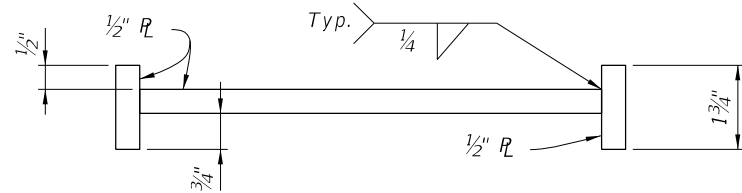
SECTION A-A



STRAP PLATE DETAIL

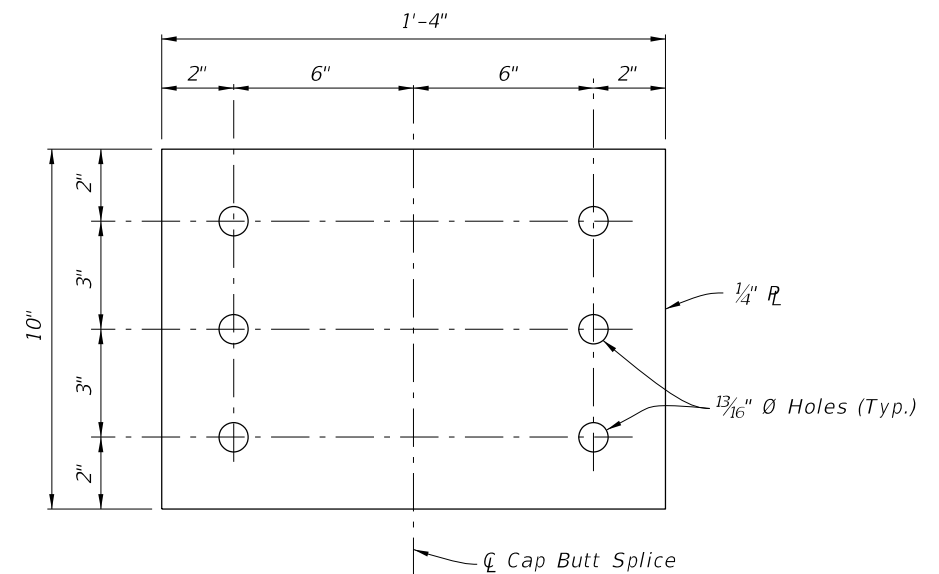


PLAN VIEW



ELEVATION VIEW

HOLD DOWN STRAP ASSEMBLY DETAIL



CAP BUTT SPLICE PLATE DETAIL

BACKWALL BENT DETAILS

10/8/2020 10:44:59 AM

LAST REVISION	DESCRIPTION:
07/01/06	



FY 2021-22  
 STANDARD PLANS

TEMPORARY DETOUR BRIDGE  
 TIMBER PILE FOUNDATIONS

INDEX  
 102-210

SHEET  
 3 of 3