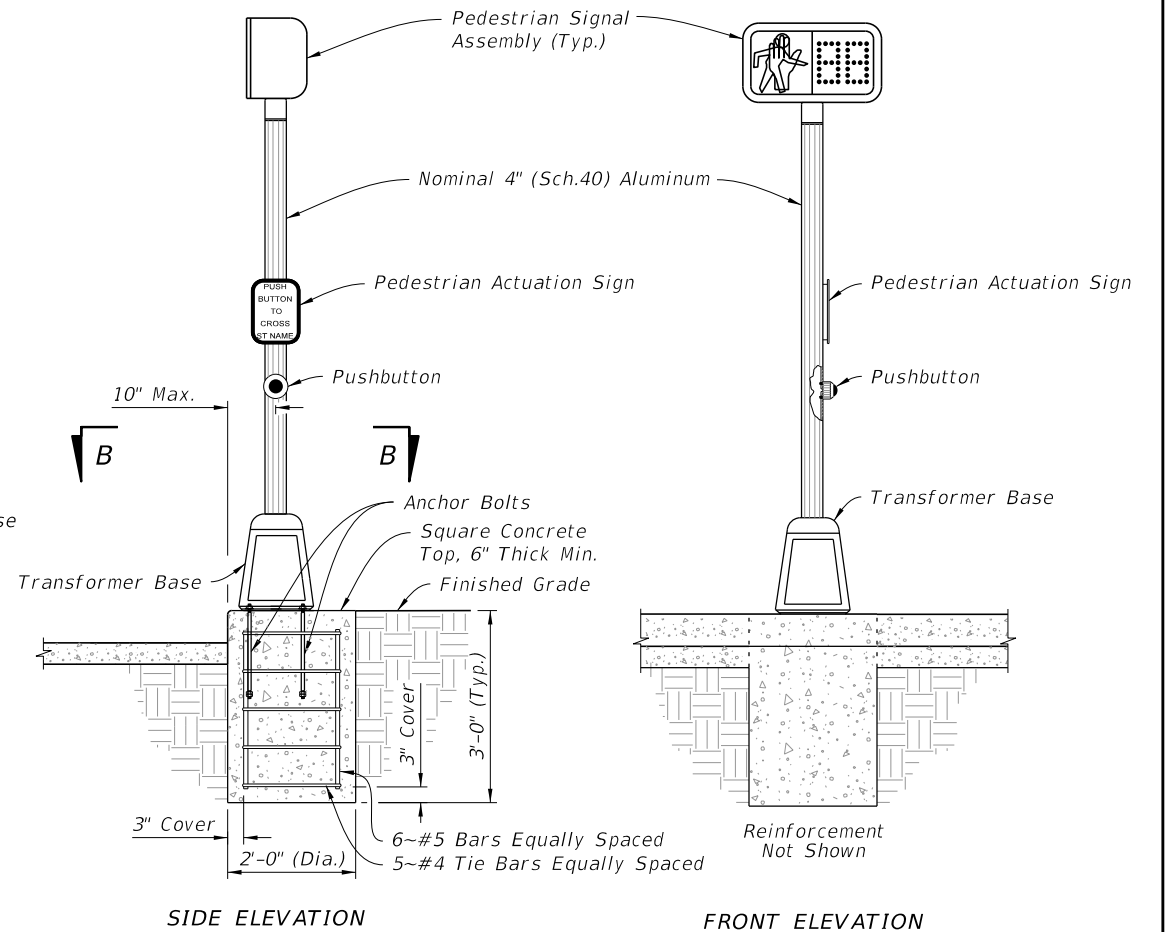
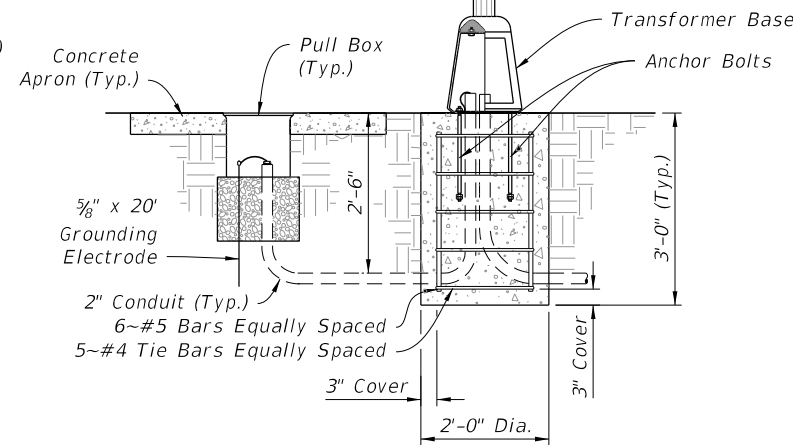
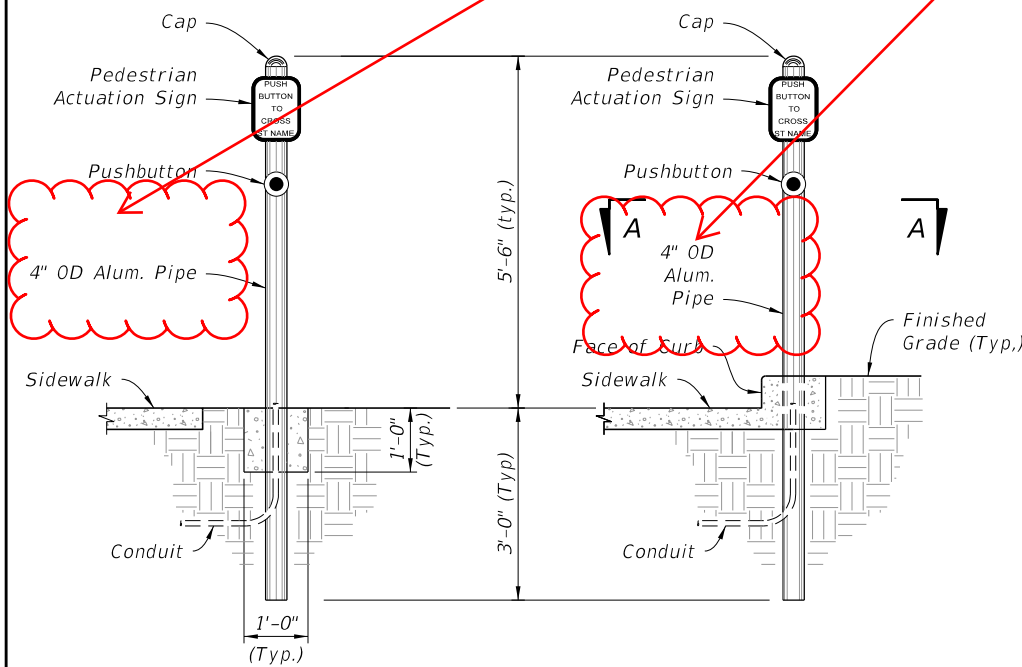
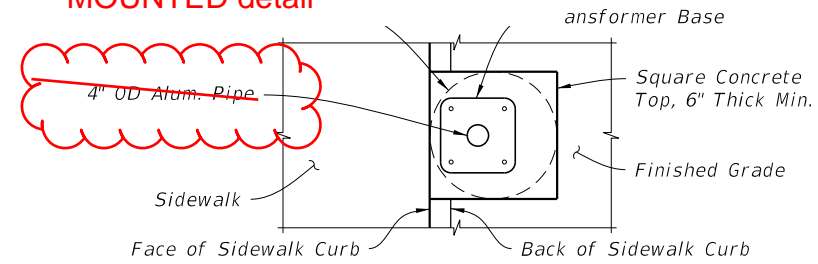
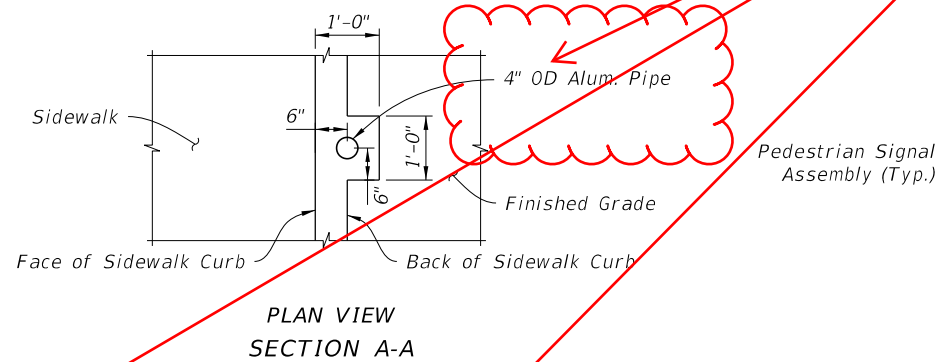


NOTES:

1. Work this Index with Specification 646.
2. For Pedestrian Signals see Index 653-001.
3. For Pedestrian Detector Assembly (i.e., Pushbutton and Sign) details see Index 665-001.
4. Construct footing with Class I Concrete, footing may be Cast-In-Place (C-I-P) or Precast.

CORRECTED:
to match the other pole callouts in the PEDSTAL MOUNTED detail



ADJACENT TO SIDEWALK

IN SIDEWALK CURB

ADJACENT TO SIDEWALK

IN SIDEWALK CURB
(Conduit And Grounding Not Shown)

POST MOUNTED

PEDESTAL MOUNTED

10/12/2020 8:20:14 AM

LAST REVISION	DESCRIPTION:
11/01/20	


**FY 2021-22
STANDARD PLANS**

**ALUMINUM POST AND PEDESTAL MOUNTED
PEDESTRIAN DETECTORS AND SIGNALS**

INDEX	SHEET
646-001	1 of 1