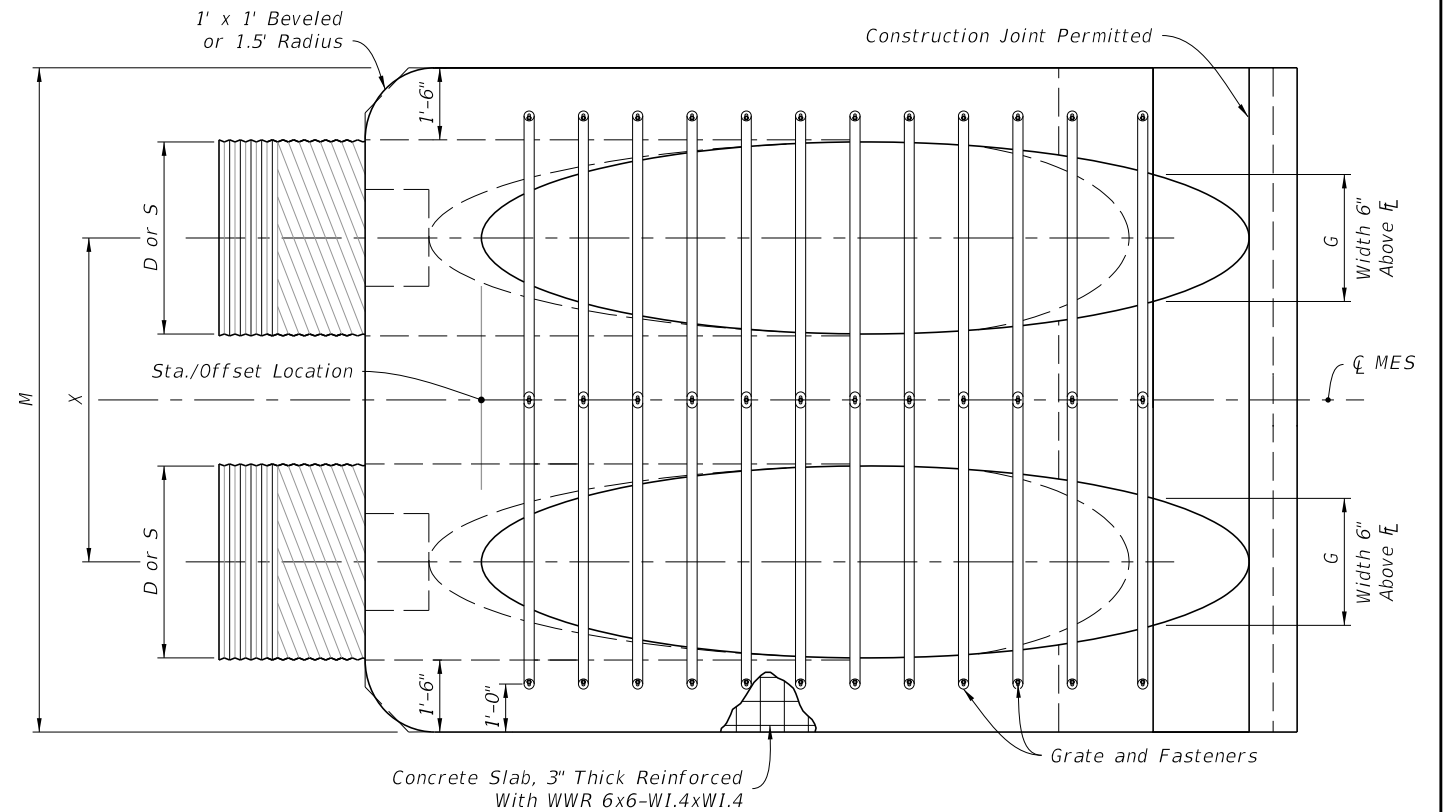
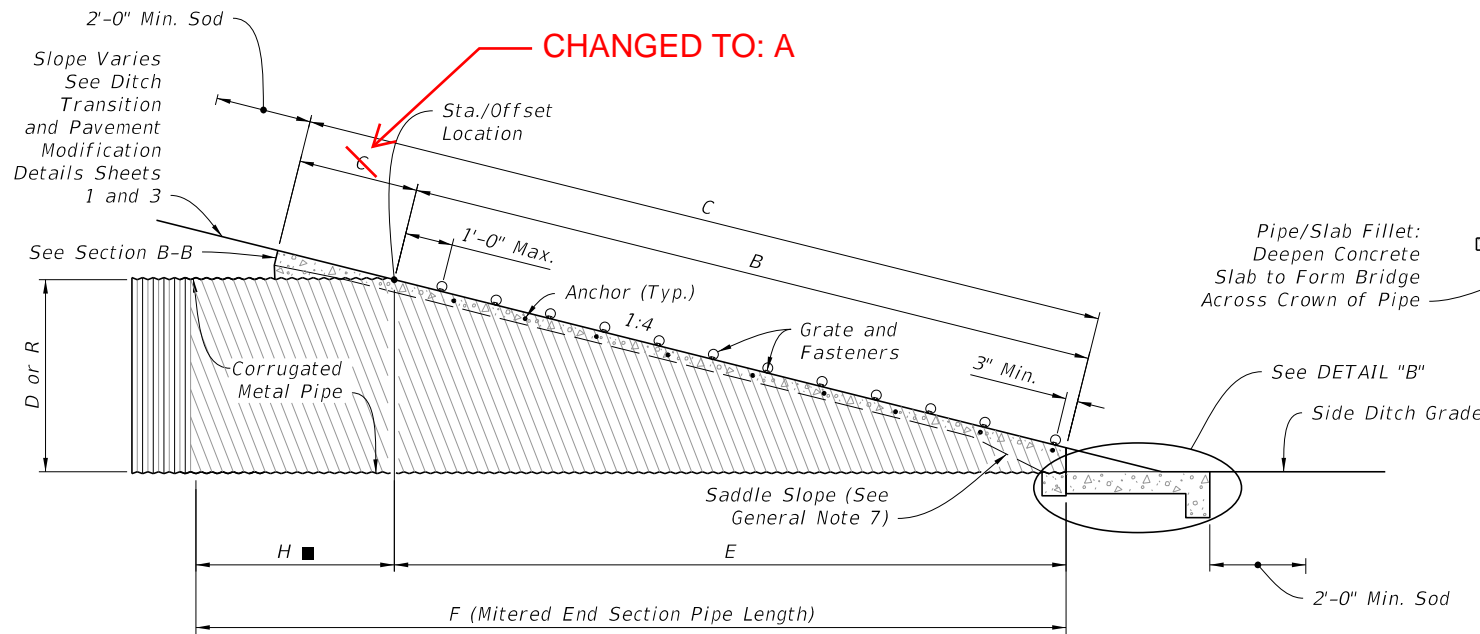


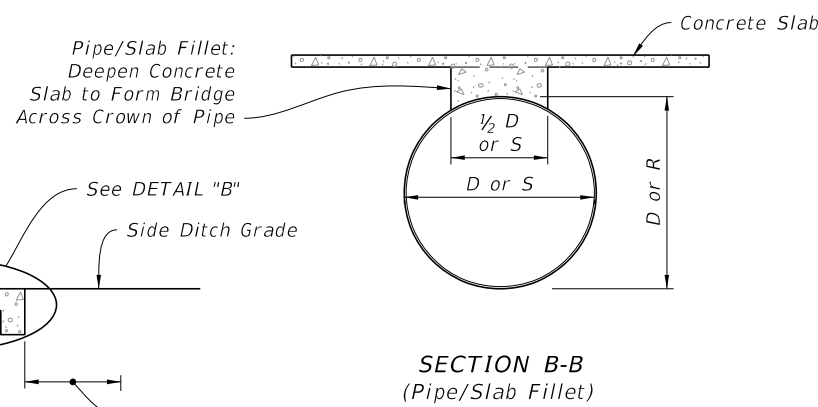
PLAN - SINGLE PIPE



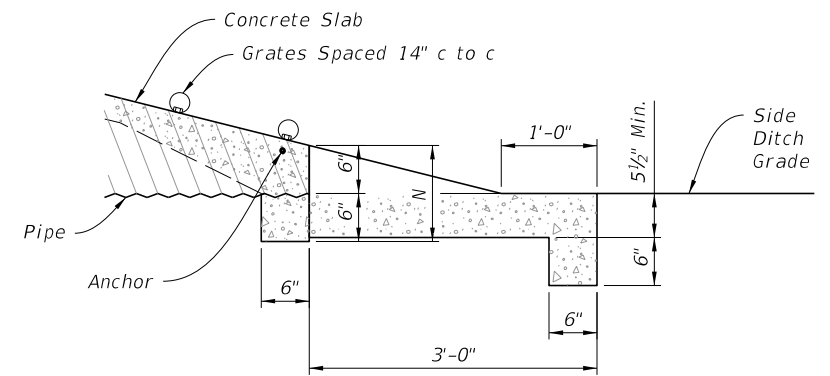
PLAN - MULTIPLE PIPE



ELEVATION



SECTION B-B
(Pipe/Slab Fillet)



DETAIL "B"

ROUND CORRUGATED PIPE
(Arched Pipe Similar)

SINGLE AND MULTIPLE CORRUGATED METAL PIPE

10/12/2020 7:17:51 AM

LAST REVISION 11/01/19	DESCRIPTION:		FY 2021-22 STANDARD PLANS	SIDE DRAIN MITERED END SECTION	INDEX	SHEET
					430-022	4 of 7