

CAST-IN-PLACE OPTION

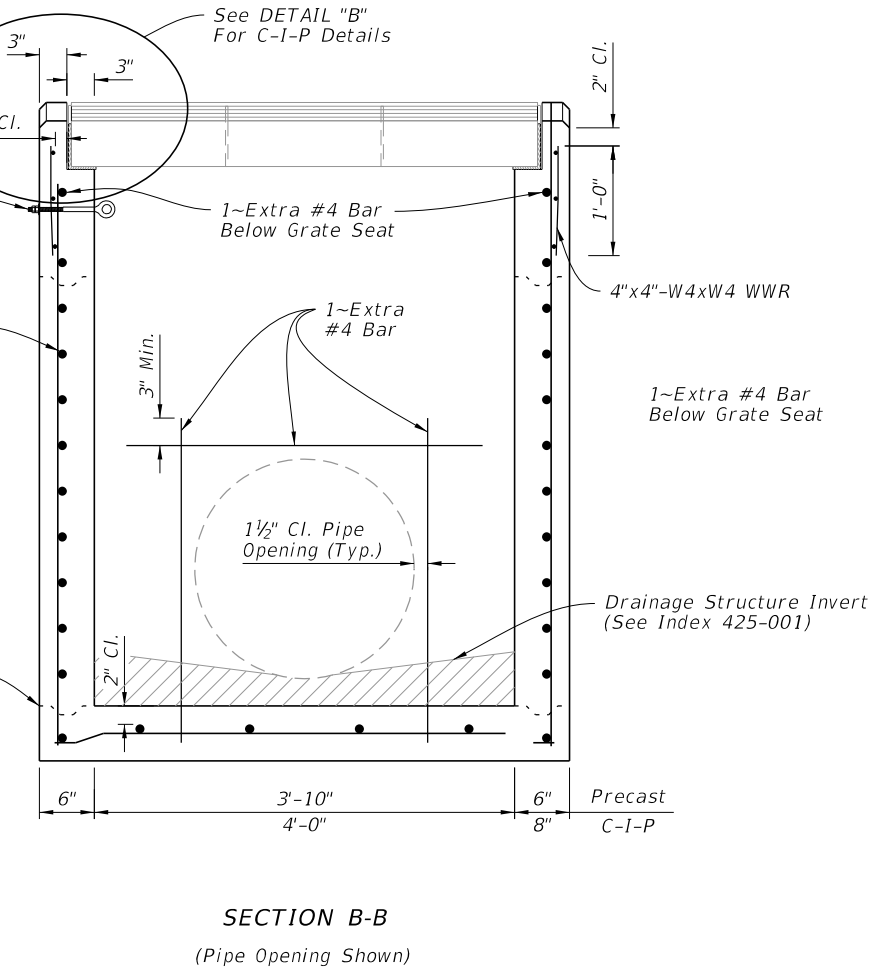
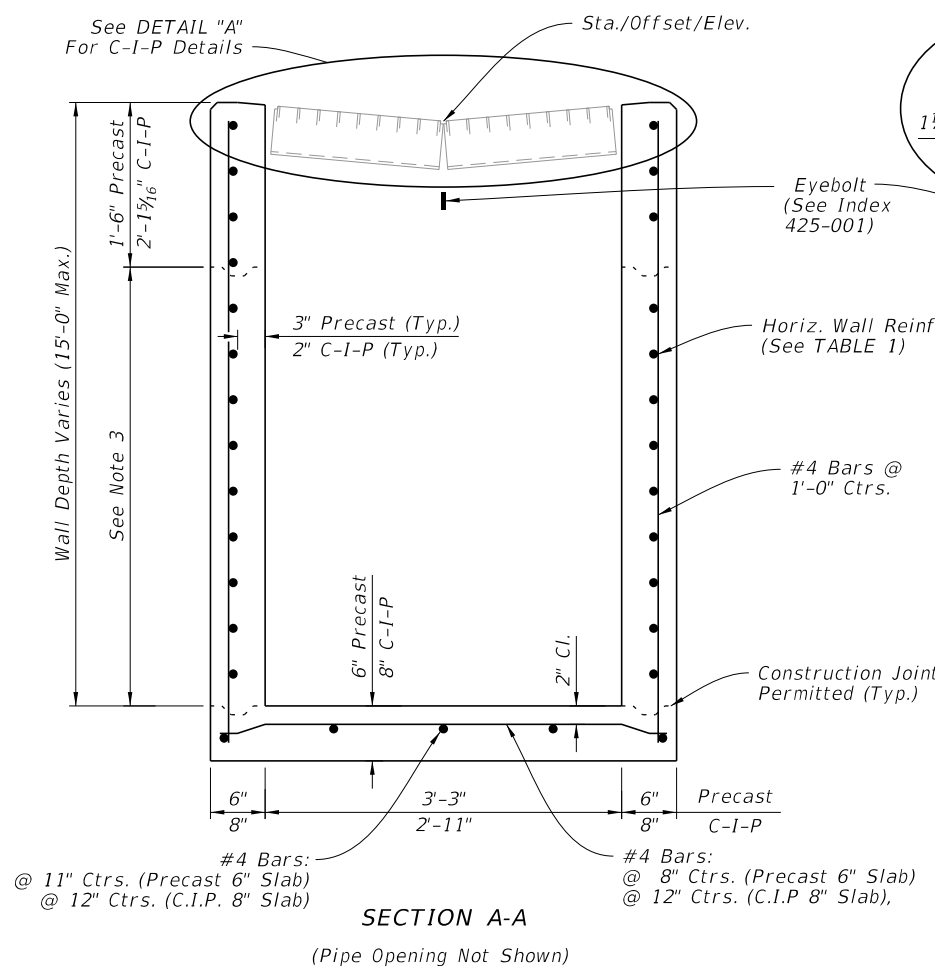


TABLE 1
HORIZONTAL WALL REINFORCING SCHEDULE

WALL DEPTH	SCHEDULE	AREA (in. ² /ft.)	MAX. SPACING	
			BARS	WWR
0' - 4'	A12	0.20	12"	8"
4' - 9'	A6	0.20	6"	5"
9' - 12'	A4	0.24	4"	3"
9' - 15'	B5.5	0.24	5 1/2"	5"

- NOTES:**
1. Grate, Concrete Apron, and Sod not shown in Plan View.
 2. See Sheet 3 for Concrete Apron and Sodded Area details.
 3. Construction joints permitted between these limits. See Index 425-001 for minimum dimensions.

DIMENSIONAL AND REINFORCING DETAILS

DIMENSIONAL AND REINFORCING DETAILS

10/12/2020 7:00:40 AM

LAST REVISION	11/01/20	DESCRIPTION:
---------------	----------	--------------

FY 2021-22
STANDARD PLANS

DITCH BOTTOM INLET TYPE J

INDEX	SHEET
425-054	2 of 4