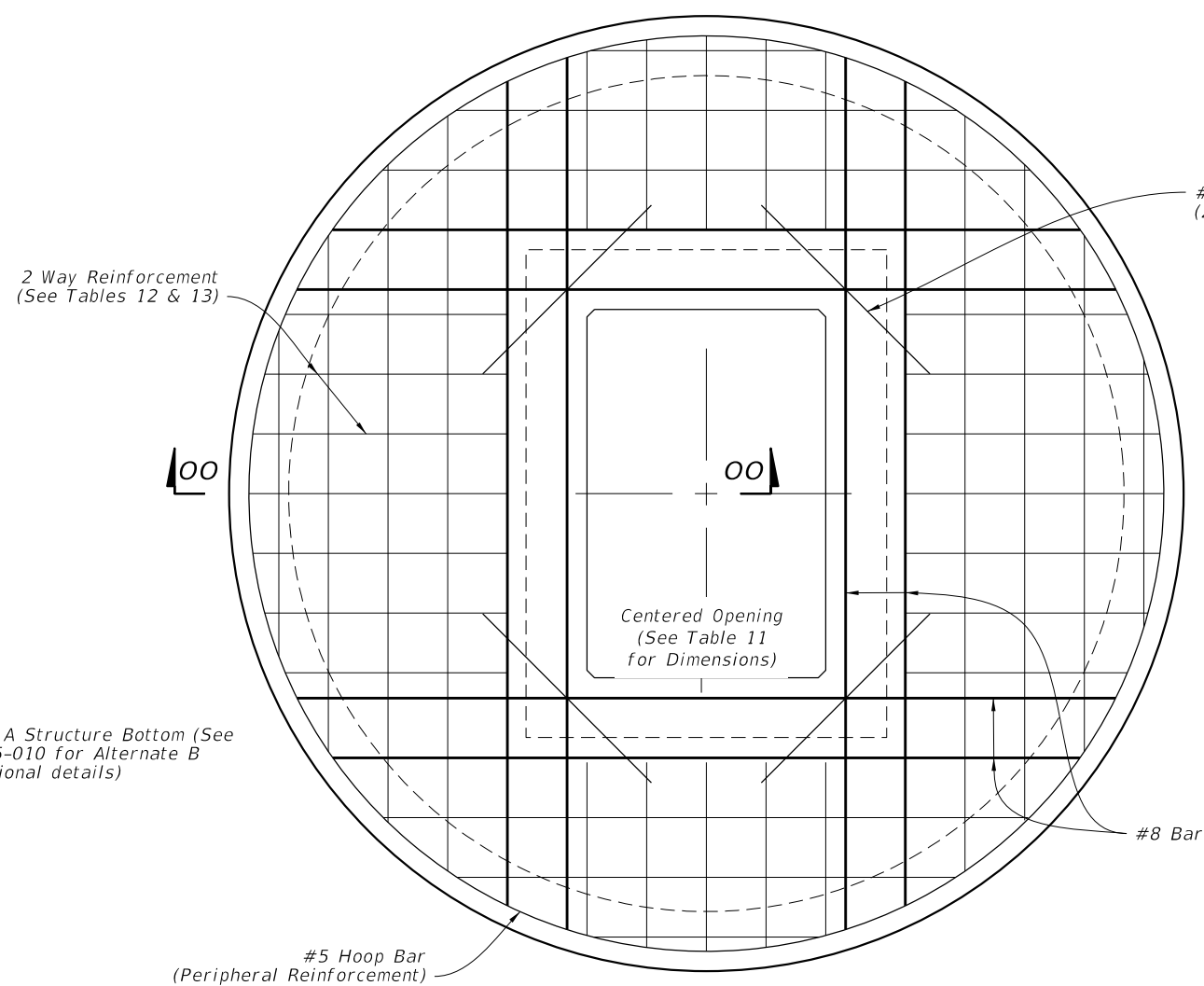
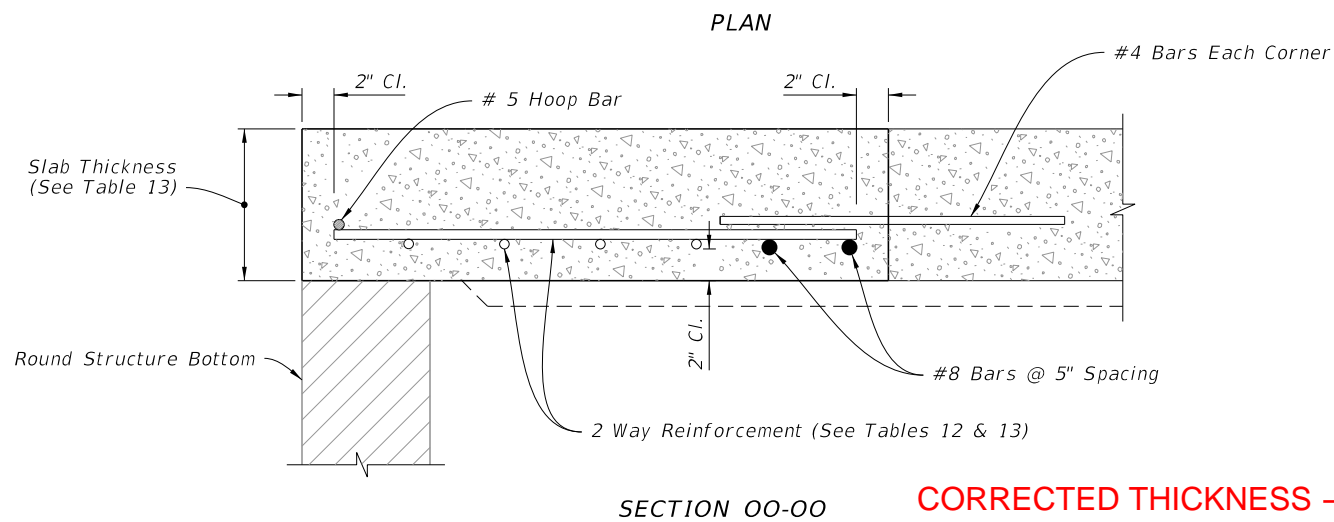


DIAMETER	OPENING SIZE	
	Min.	Max.
4'-0"	2'-0" x 3'-1"	2'-0" x 3'-1"
5'-0"	2'-0" x 3'-1"	3'-1" x 4'-1"
6'-0"	2'-0" x 3'-1"	3'-0" x 4'-6"
8'-0"	2'-0" x 3'-1"	3'-0" x 4'-6"



SCHEDULE	GRADE 60 (BAR) OR 65 KSI & 70 KSI (WIRE REINFORCING) In. ² /ft.
A	0.20
B	0.24
C	0.37
D	0.53
E	0.73
F	1.06
G	1.45

STRUCTURE DEPTH	SLAB THICKNESS	REINFORCING (2 WAY) SCHEDULE
SIZE: 4'-0"		
≥0.5' < 40'	9 1/2"	B
SIZE: 5'-0"		
≥0.5' < 30'	9 1/2"	C
30' - 40'	9 1/2"	D
SIZE: 6'-0"		
≥0.5' < 8'	11 1/2"	B
8' < 18'	11 1/2"	C
18' < 30'	11 1/2"	D
30' < 37'	11 1/2"	E
37' - 40'	11 1/2"	G
SIZE: 8'-0"		
≥0.5' < 9'	11 1/2"	C
9' < 15'	11 1/2"	D
15' < 23'	11 1/2"	E
23' < 33'	11 1/2"	E
33' - 40'	11 1/2"	G



ISOMETRIC VIEW

TOP SLAB REINFORCEMENT DETAILS

ALTERNATE A STRUCTURE BOTTOM - TOP SLAB DETAILS

10/12/2020 6:53:25 AM

LAST REVISION	DESCRIPTION:
11/01/20	



FY 2021-22
STANDARD PLANS

DITCH BOTTOM INLET TYPE C, D, E, AND H

INDEX
425-052

SHEET
14 of 14