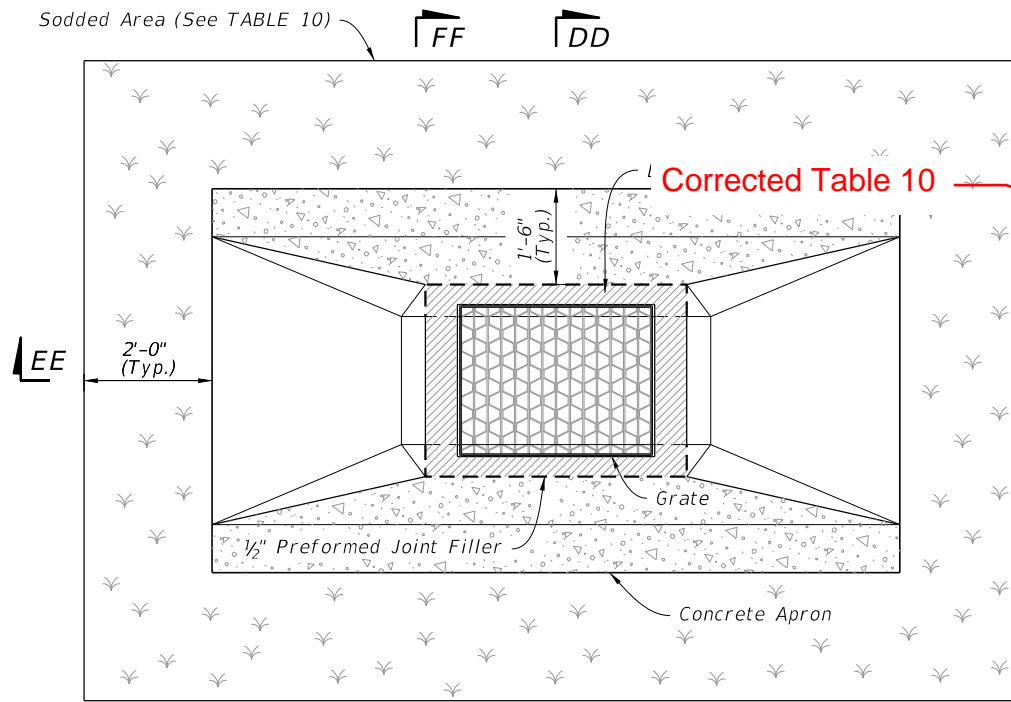


**TABLE 9
CONCRETE APRON
AND
SOD QUANTITIES**

SINGLE SLOT

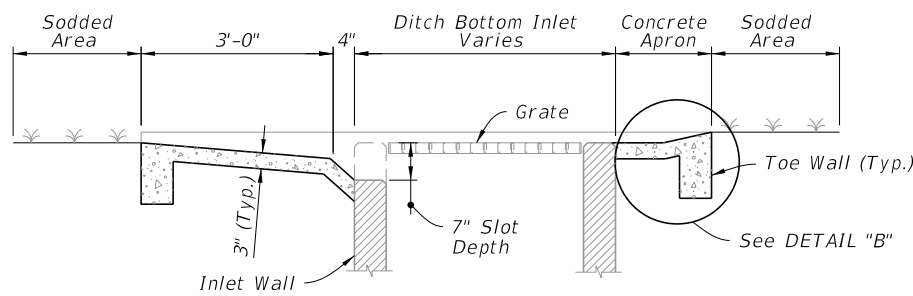
Inlet Type	Sod SY	Conc. CY
C	12	0.77
D	14	0.91
E	14	0.91
H	--	--



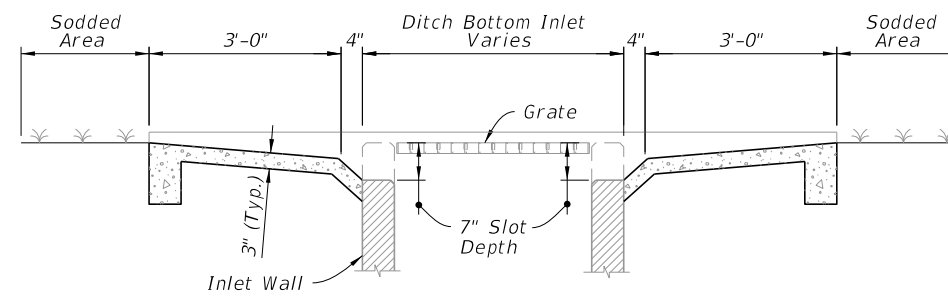
**TABLE 10
CONCRETE APRON
AND
SOD QUANTITIES**

~~SINGLE SLOT~~

Inlet Type	Sod SY	Conc. CY
C	16	0.93
D	19	1.10
E	18	1.08
H	--	--



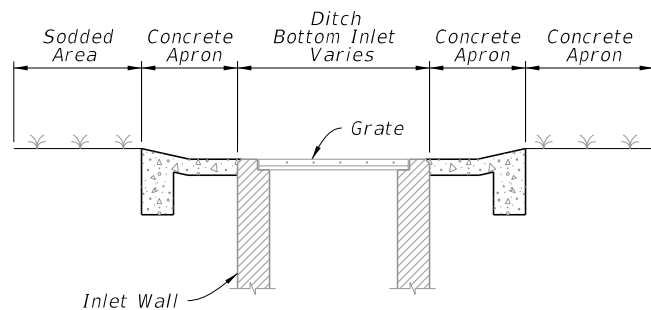
SECTION CC-CC



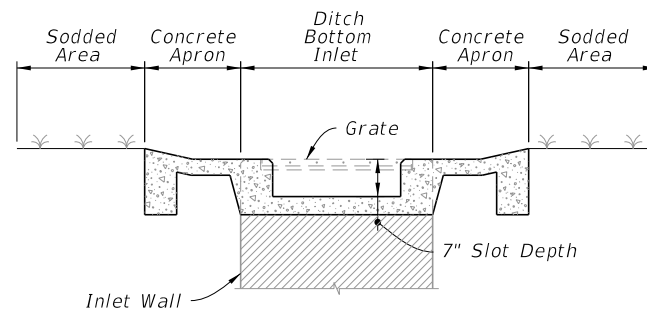
SECTION EE-EE

SINGLE SLOT

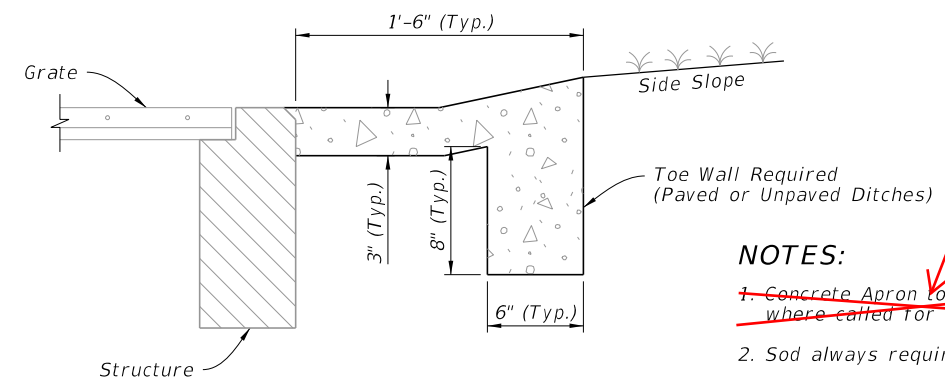
DOUBLE SLOT



SECTION DD-DD



SECTION FF-FF



DETAIL "B"

- NOTES:**
- ~~1. Concrete Apron to be installed only where called for in the Plans.~~
 - 2. Sod always required.

Deleted Note 1

10/12/2020 6:53:10 AM

TRAVERSABLE INLET WITH SLOT DETAILS

LAST REVISION	DESCRIPTION:
11/01/20	



FY 2021-22
STANDARD PLANS

DITCH BOTTOM INLET TYPE C, D, E, AND H

INDEX
425-052

SHEET
10 of 14