

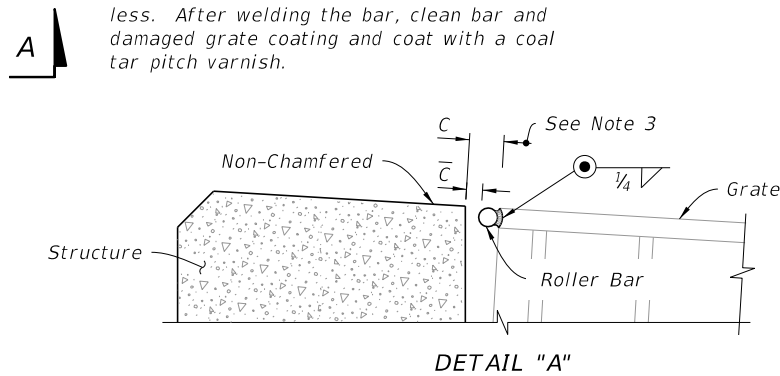
PLAN

**NOTES:**

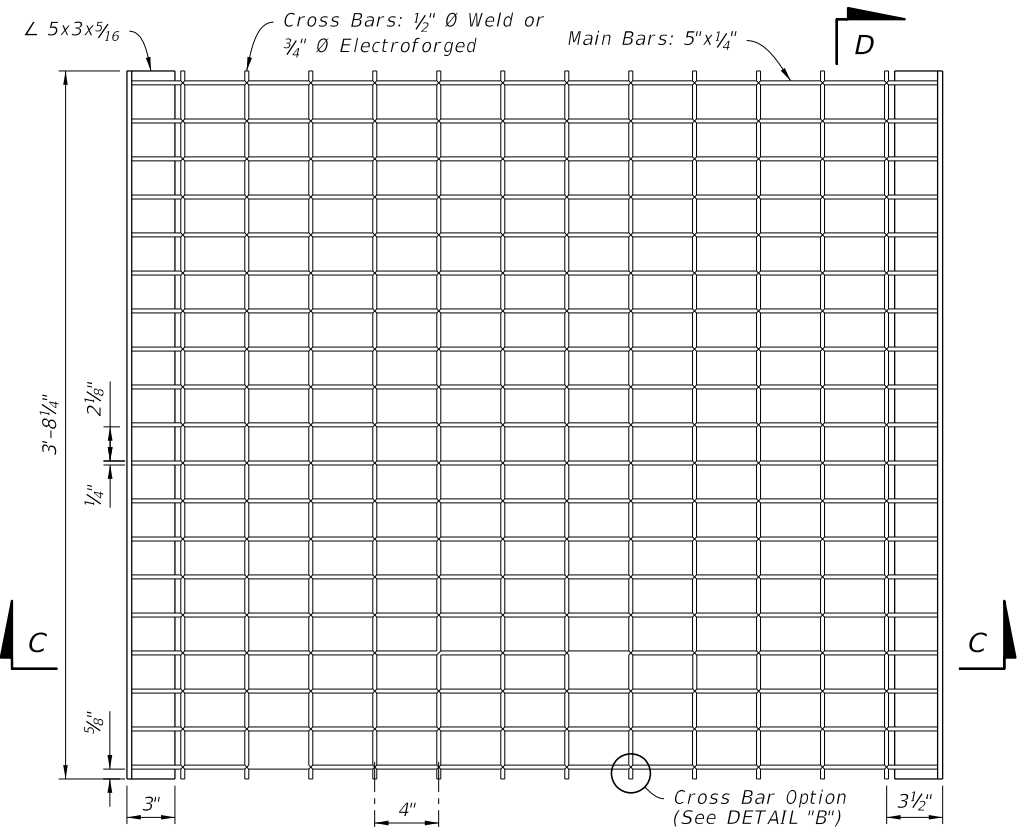
1. See Sections E-E, F-F, and G-G on Sheet 3 for reinforcing details.
2. Construction joints permitted between these limits. See Index 425-001 for minimum dimensions.
3. Field Installation: When clearance (C) exceeds  $\frac{5}{8}$ " weld a one-piece round bar (roller bar) to the end of the cross bars and end band angles to reduce the clearance ( $\bar{C}$ ) to  $\frac{5}{8}$ " or less. After welding the bar, clean bar and damaged grate coating and coat with a coal tar pitch varnish.

**TABLE 1: HORIZONTAL WALL REINFORCING SCHEDULE**

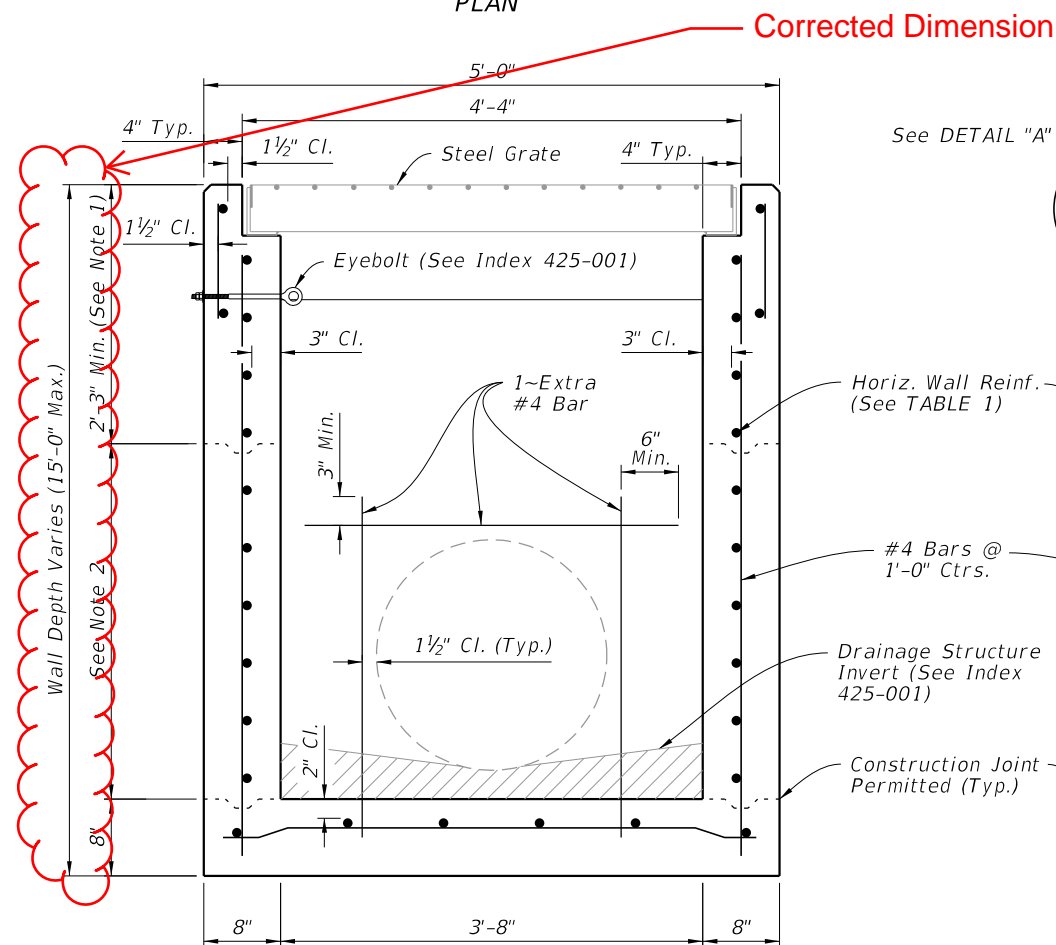
WALL DEPTH	SCHEDULE	AREA (in. <sup>2</sup> /ft.)	MAX. SPACING	
			BARS	WWR
0'-5'	A12	0.20	12"	8"
5'-10'	A6	0.20	6"	5"
10'-15'	A4	0.20	4"	3"
10'-15'	B5.5	0.24	5½"	5"



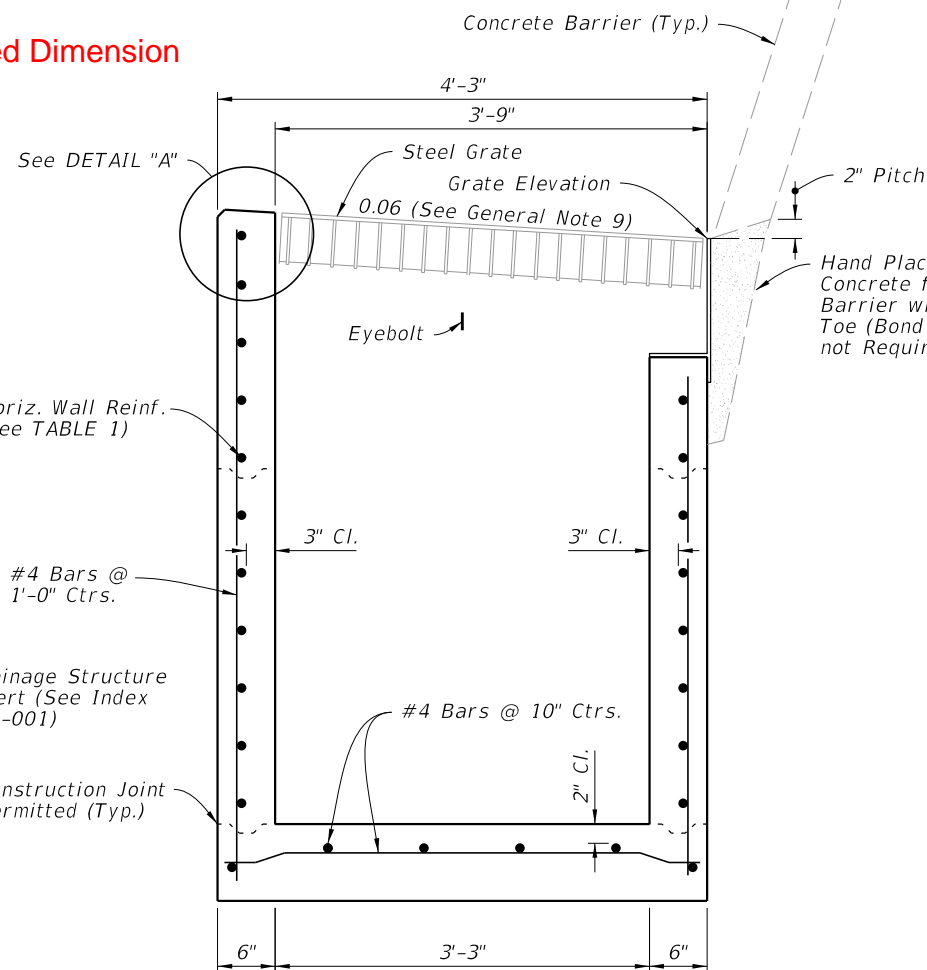
DETAIL "A"



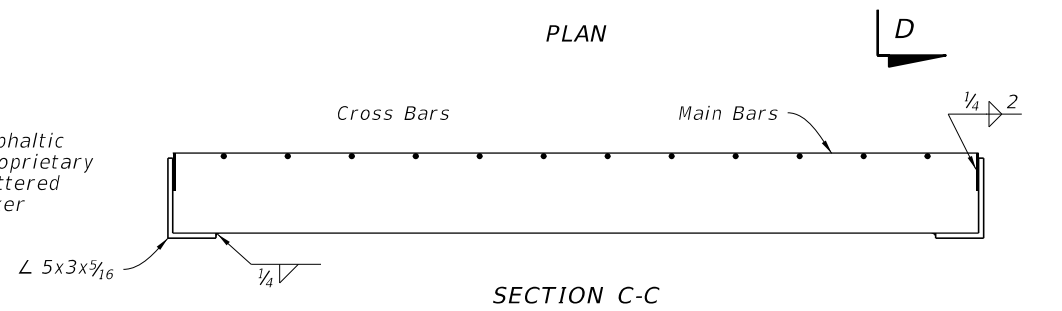
PLAN



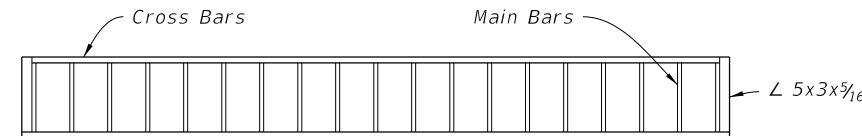
SECTION A-A  
(Pipe Opening Shown)



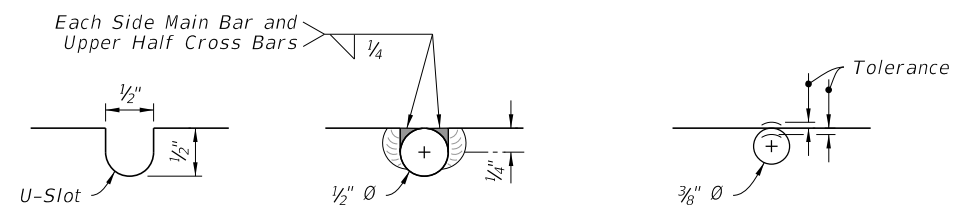
SECTION B-B  
(Pipe Opening Not Shown)



SECTION C-C



SECTION D-D



WELDED

DETAIL "B"

ELECTROFORGED

**DIMENSIONAL AND REINFORCEMENT**

**STEEL GRATE**

**DIMENSIONAL, REINFORCING, AND STEEL GRATE DETAILS**

10/12/2020 6:49:06 AM

LAST REVISION 11/01/20	DESCRIPTION:		FY 2021-22 STANDARD PLANS	ADJACENT BARRIER INLET	INDEX	SHEET
REVISION					425-031	2 of 4