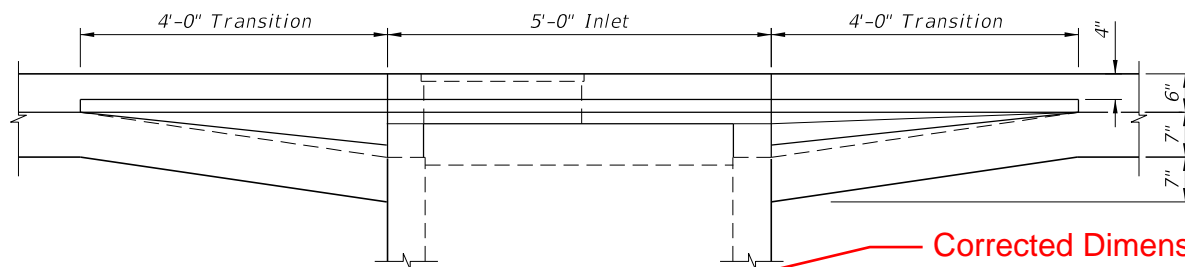
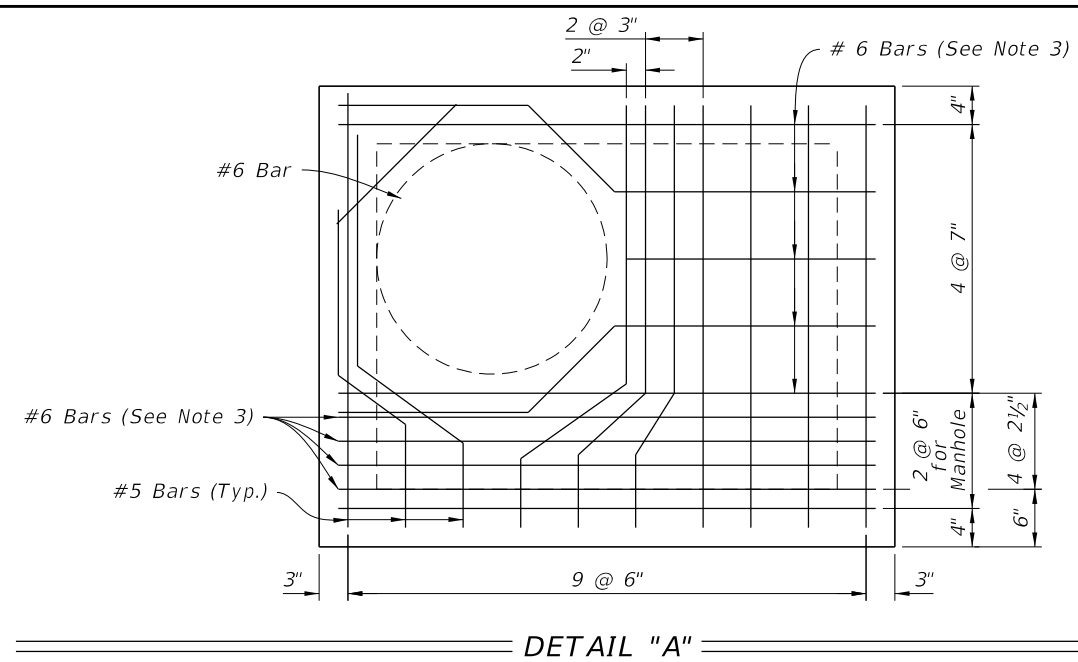


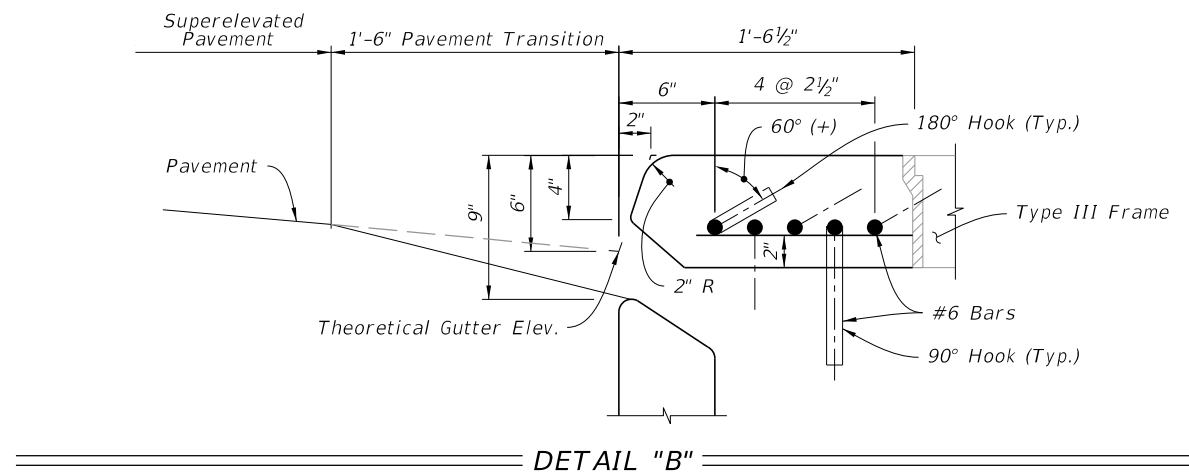
PLAN



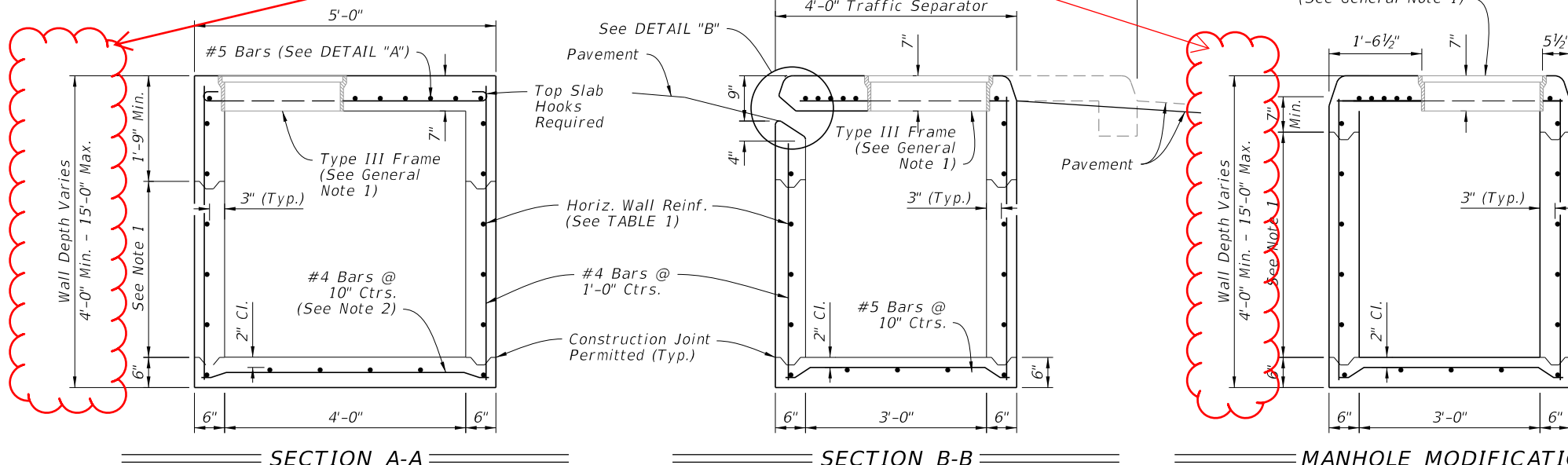
FRONT ELEVATION



DETAIL "A"



DETAIL "B"



SECTION A-A

SECTION B-B

MANHOLE MODIFICATION

NOTES:

1. Construction joints permitted between these limits. See Index 425-001 for minimum dimensions.
2. For bottom slab rebar embedment options, see optional construction joints, Index 425-001.
3. ACI standard hooks required each end of straight bars and right end of bent bars: 180° hooks, canted 60°(+), on odd bars; 90° hooks, down, on even bars numbered from throat side.

TABLE 1 - HORIZONTAL WALL REINFORCING SCHEDULE

WALL DEPTH	SCHEDULE	AREA (in. ² /ft.)	MAX. SPACING	
			BARS	WWR
0' - 6'	A12	0.20	12"	8"
6' - 10'	A6	0.20	6"	5"
10' - 13'	A4	0.20	4"	3"
10' - 15'	B5.5	0.24	5½"	5"

DIMENSIONAL AND REINFORCING DETAILS

10/12/2020 6:45:40 AM

LAST REVISION 11/01/20	DESCRIPTION:
---------------------------	--------------

**FY 2021-22
STANDARD PLANS**

CURB INLET TYPE 8

INDEX 425-023	SHEET 2 of 2
------------------	-----------------