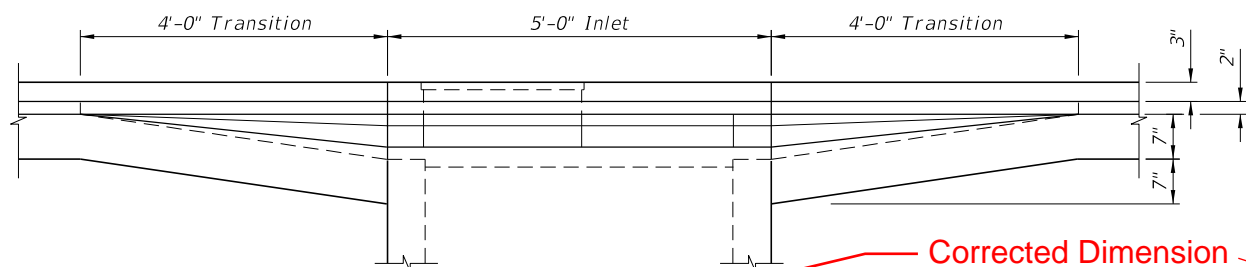
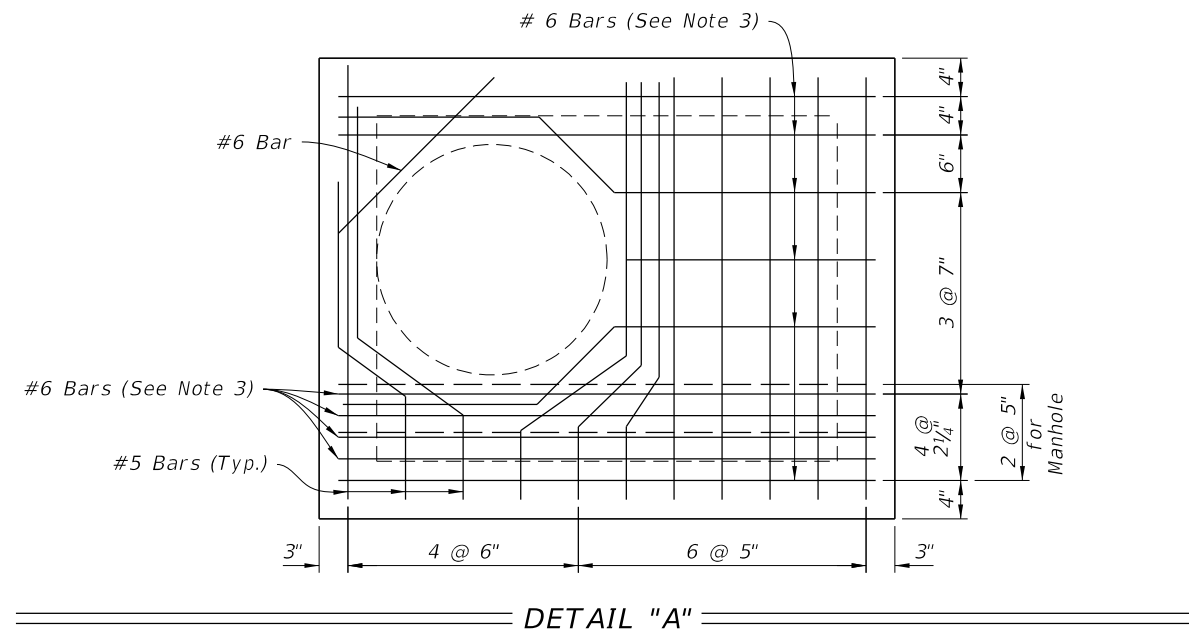


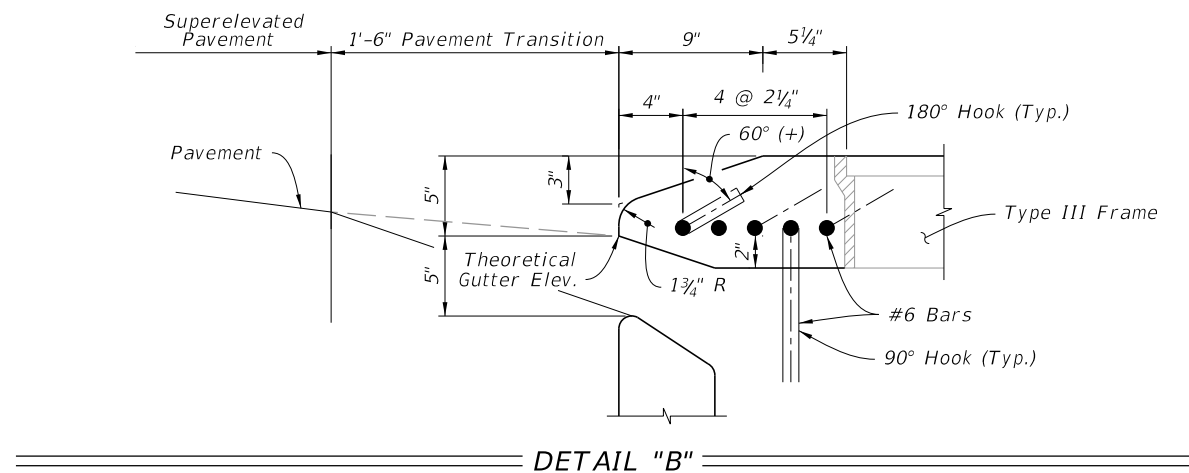
PLAN



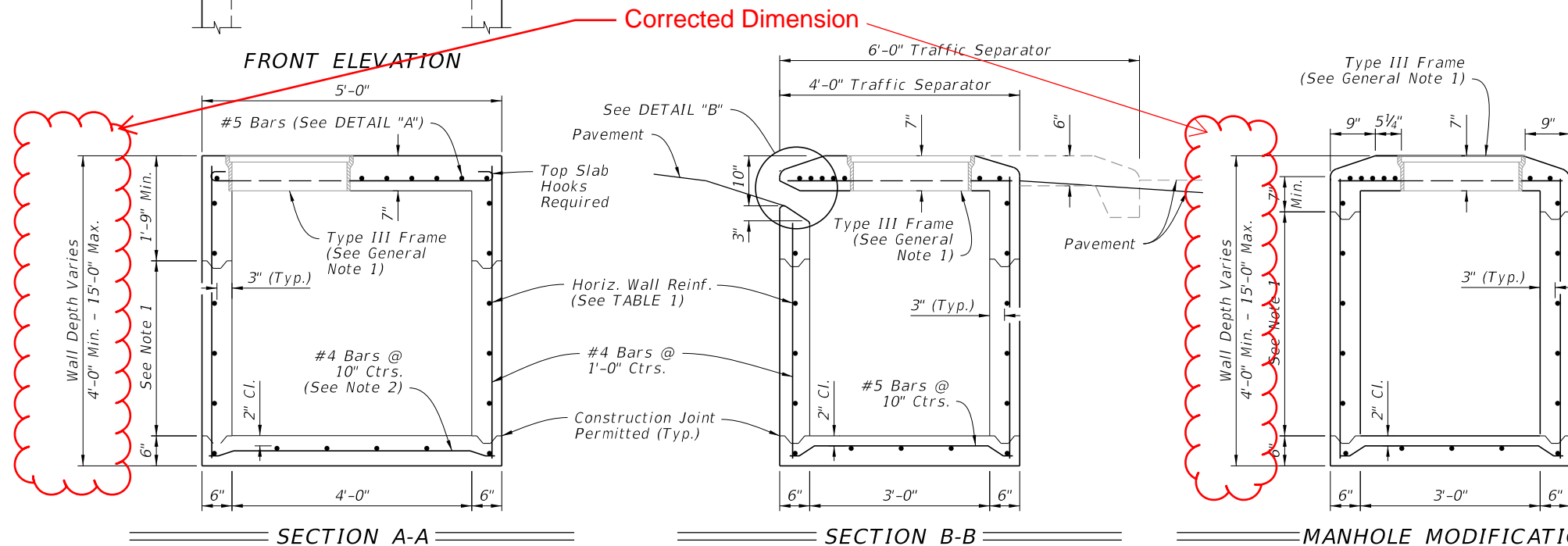
FRONT ELEVATION



DETAIL "A"



DETAIL "B"



SECTION A-A

SECTION B-B

MANHOLE MODIFICATION

**NOTES:**

1. Construction joints permitted between these limits. See Index 425-001 for minimum dimensions.
2. For bottom slab rebar embedment options, see optional construction joints, Index 425-001.
3. ACI standard hooks required each end of straight bars and right end of bent bars: 180° hooks, canted 60°(+), on odd bars; 90° hooks, down, on even bars numbered from throat side.

WALL DEPTH	SCHEDULE	AREA (in. <sup>2</sup> /ft.)	MAX. SPACING	
			BARS	WWR
0' - 6'	A12	0.20	12"	8"
6' - 10'	A6	0.20	6"	5"
10' - 13'	A4	0.20	4"	3"
10' - 15'	B5.5	0.24	5 1/2"	5"

**DIMENSIONAL AND REINFORCING DETAILS**

10/12/2020 6:45:22 AM

LAST REVISION 11/01/20	DESCRIPTION:
---------------------------	--------------



FY 2021-22  
STANDARD PLANS

CURB INLET TYPE 7

INDEX  
425-022

SHEET  
2 of 2