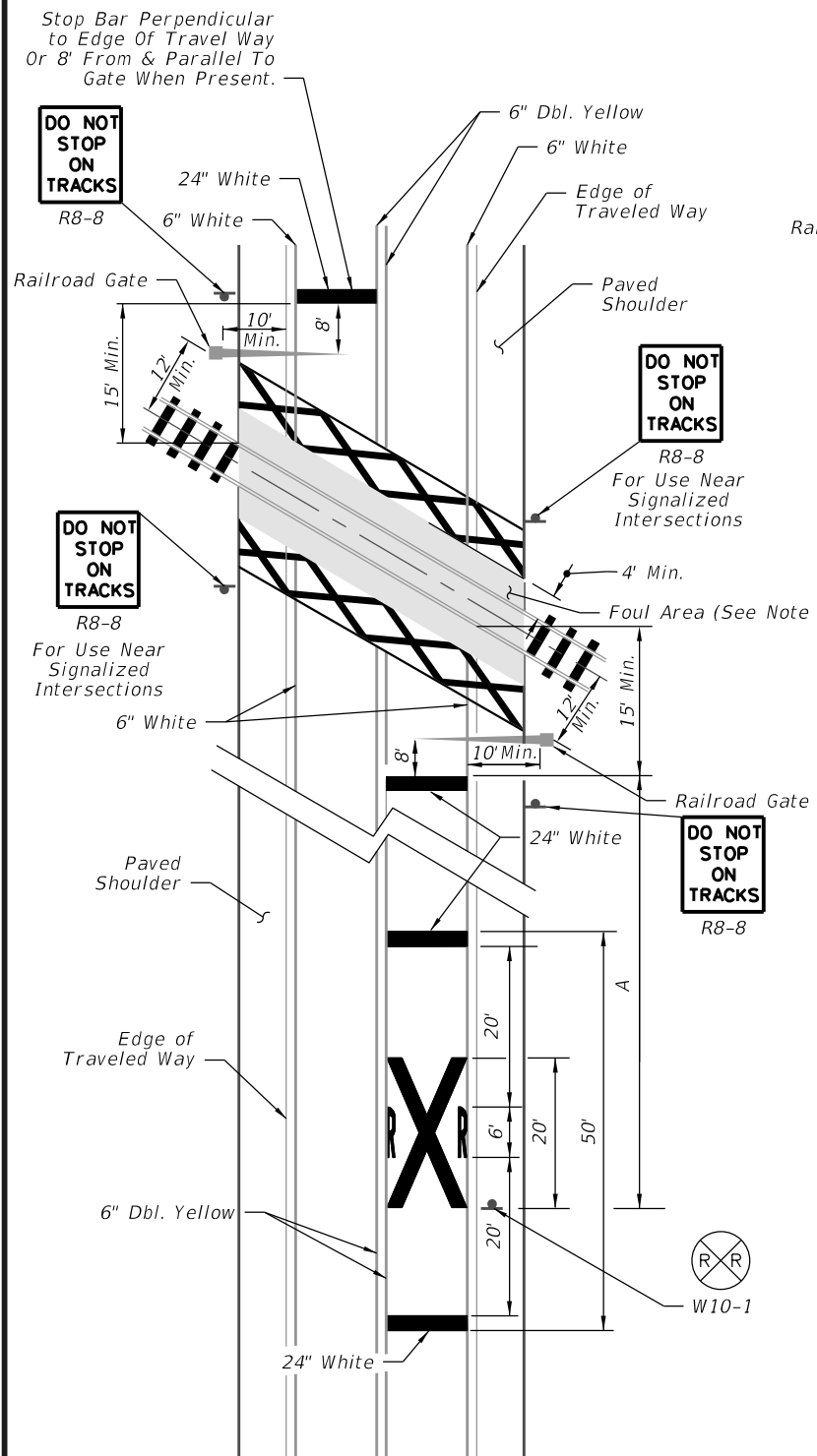


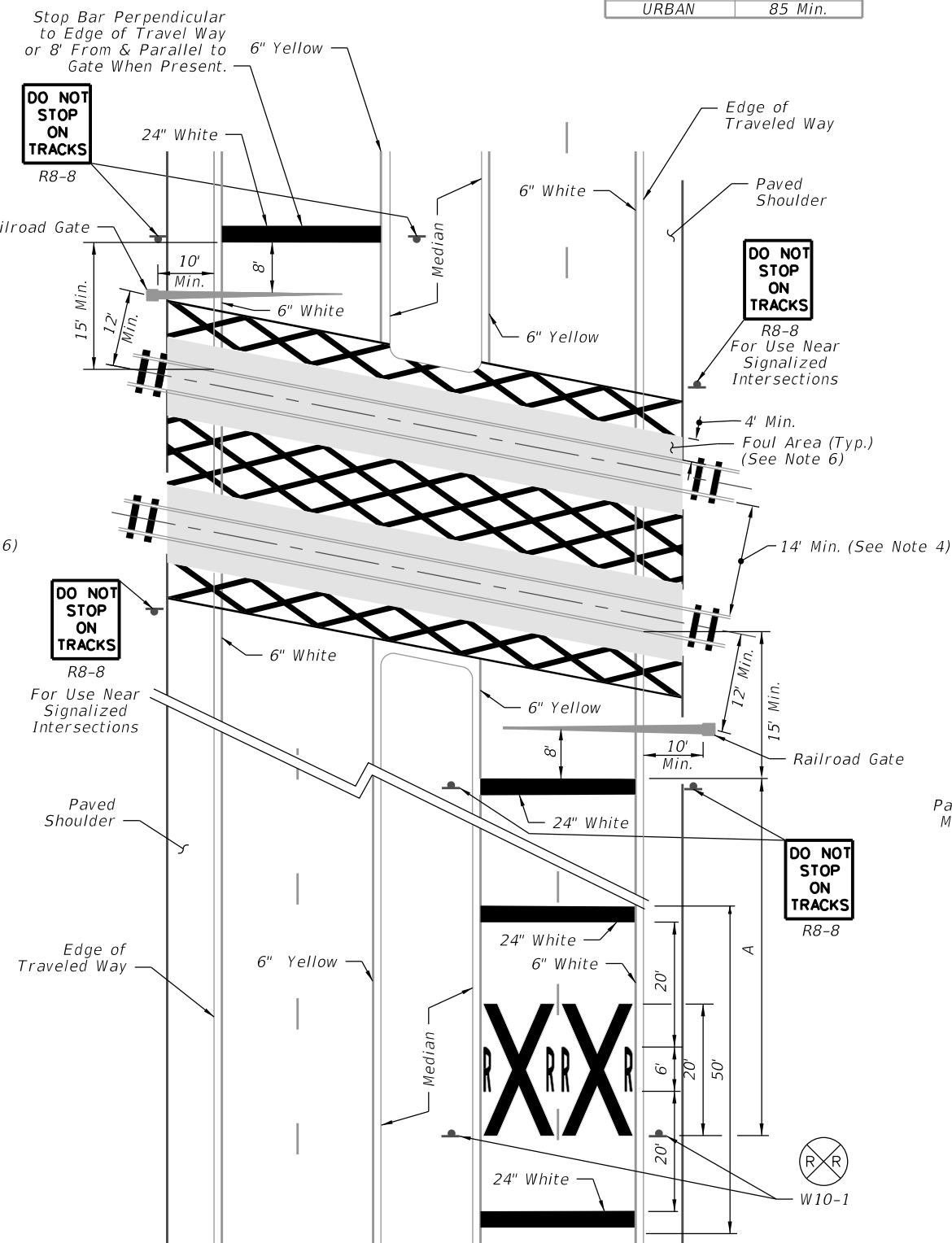
NOTES:

1. Place an additional W10-1 sign where intersections occur between the R/R pavement message and the tracks.
2. Place FTP-61-06 or FTP-62-06 sign 100' in advance of crossing for urban conditions and 300' in advance of crossing for rural conditions. See Index 700-102 for sign details.
3. Install Railroad Dynamic Envelope Pavement Markings only when called for in the Plans.
4. Do not install pavement markings when the distance between tracks is less than 14'.
5. The transverse dimension for the RDE "X" may be reduced to the lane width for two-lane roadways without shoulders or when shown in the Plans.
6. Do not install pavement markings in the Foul areas.

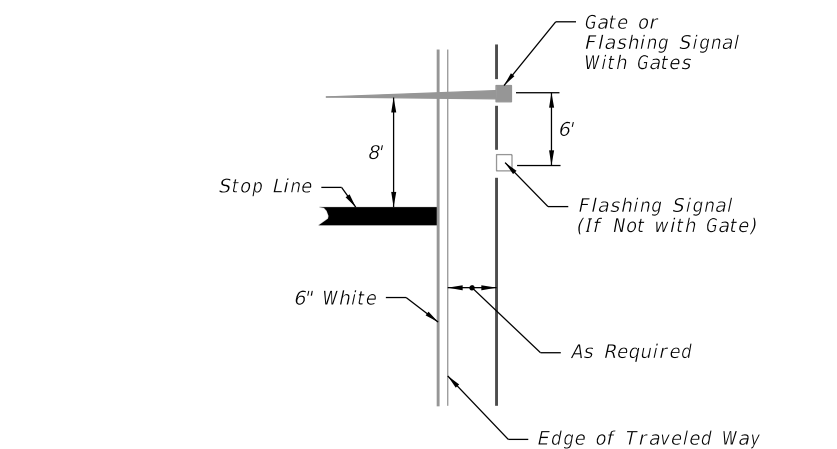
Design Speed (mph)	Distance "A" (ft)
60	400
55	325
50	250
45	175
40	125
35	100
URBAN	85 Min.



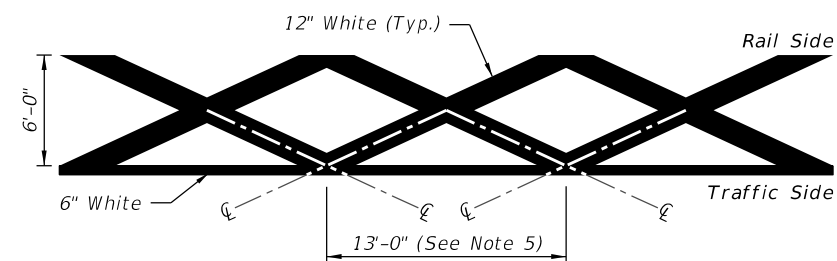
RAILROAD CROSSING AT TWO-LANE ROADWAY



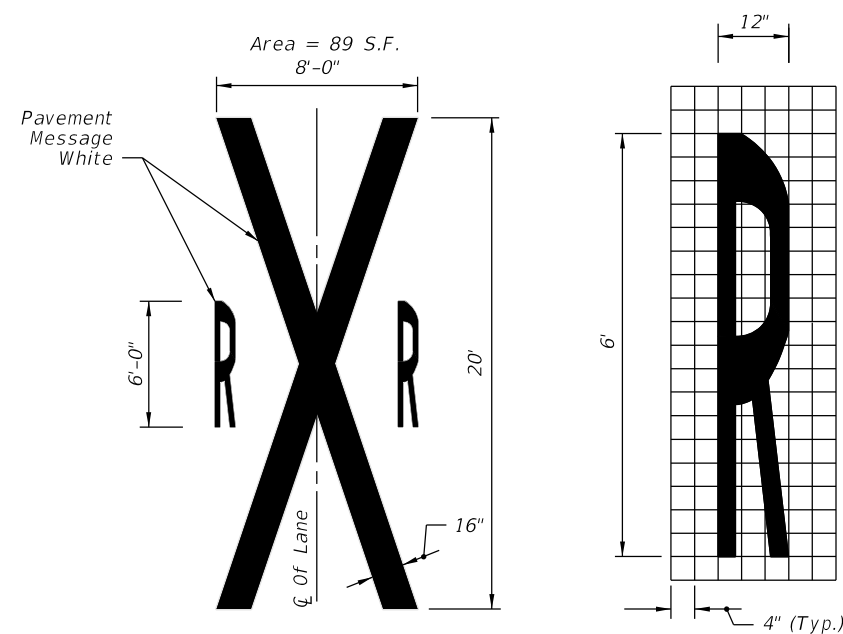
RAILROAD CROSSING AT MULTILANE ROADWAY



RELATIVE LOCATION OF CROSSING TRAFFIC CONTROL DEVICES



RAILROAD DYNAMIC ENVELOPE (RDE) PAVEMENT MARKING DETAIL



RAILROAD CROSSING PAVEMENT MESSAGE

SDATES

LAST REVISION 02/11/20	DESCRIPTION: Added Railroad Dynamic Envelope Pavement Marking Details.
---------------------------	---