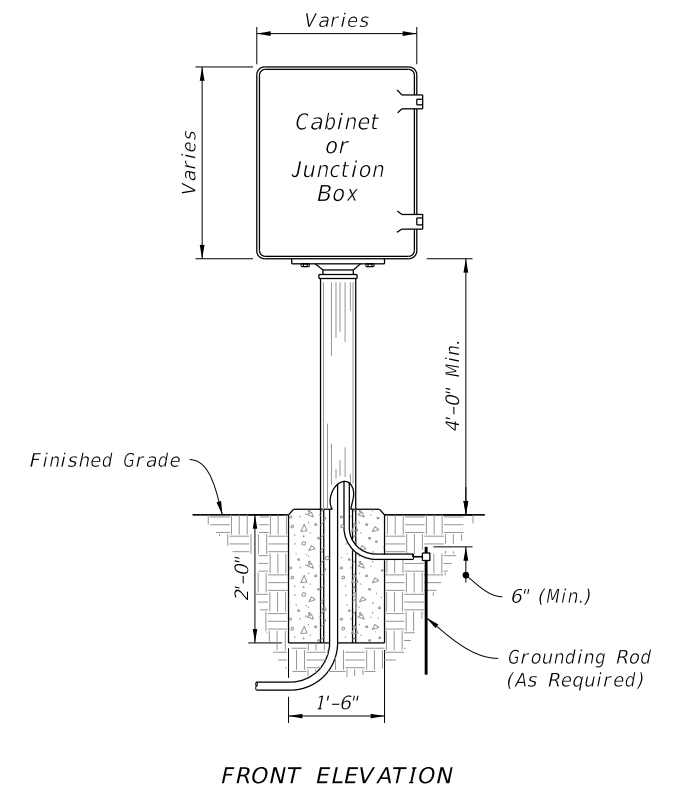
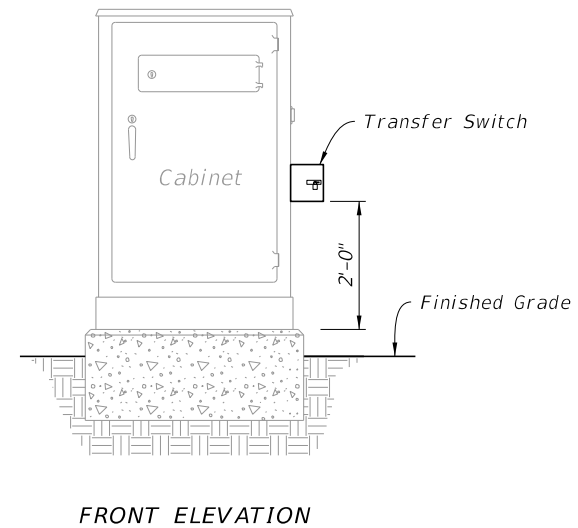
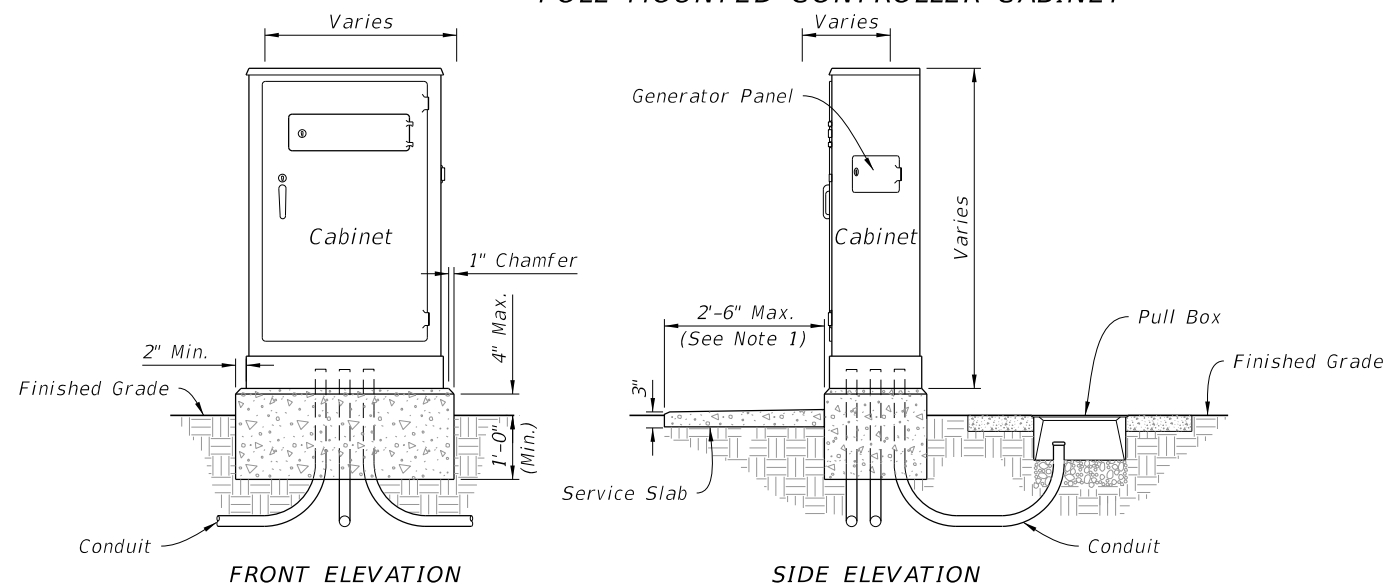


NOTES:

1. If cabinet mounting requires relocation of hole in concrete pole, fill existing hole with concrete or cover with a noncorrosive cover plate.
2. Liquidtight flexible conduit is approved for use from the electrical disconnect to the cabinet when both are installed on the same pole.

POLE MOUNTED CONTROLLER CABINET

INTERCONNECT JUNCTION BOX



NOTES:

1. Service Slab: slope $\frac{1}{4}$ " to 1" for drainage. Not required in sidewalk, pavement areas, or where R/W is restricted.
2. The number, size and orientation of conduit sweep will vary according to site condition or locations. Provided two spare 2" PVC conduits in all bases. Place the exits of the spare conduits in the direction of the center rear of the cabinet base and into a pullbox. If obstructions prevent the spare conduit from exiting to the rear, or the rear of the cabinet is located on the R/W line, locate as directed by the Engineer. Cap all spare conduit sweeps with a weatherproof fitting.

NOTES:

1. Retrofit existing controller cabinets in accordance with Specification 678.
2. Retrofit installation procedure for signalized intersection controller cabinet are located at: http://www.fdot.gov/Traffic/Doc_Library/Doc_Library.shtm Generator Power for Signalized Intersection

NEW CONTROLLER CABINET


EXISTING CONTROLLER CABINET

FRONT ELEVATION

GROUND MOUNTED CONTROLLER CABINET

PEDESTAL MOUNTED CABINET

10/14/2019 2:20:51 PM

LAST REVISION 11/01/18	REVISION	DESCRIPTION:	 FY 2020-21 STANDARD PLANS	CABINET INSTALLATION DETAILS	INDEX 676-010	SHEET 1 of 1
---------------------------	----------	--------------	---	-------------------------------------	-------------------------	------------------------