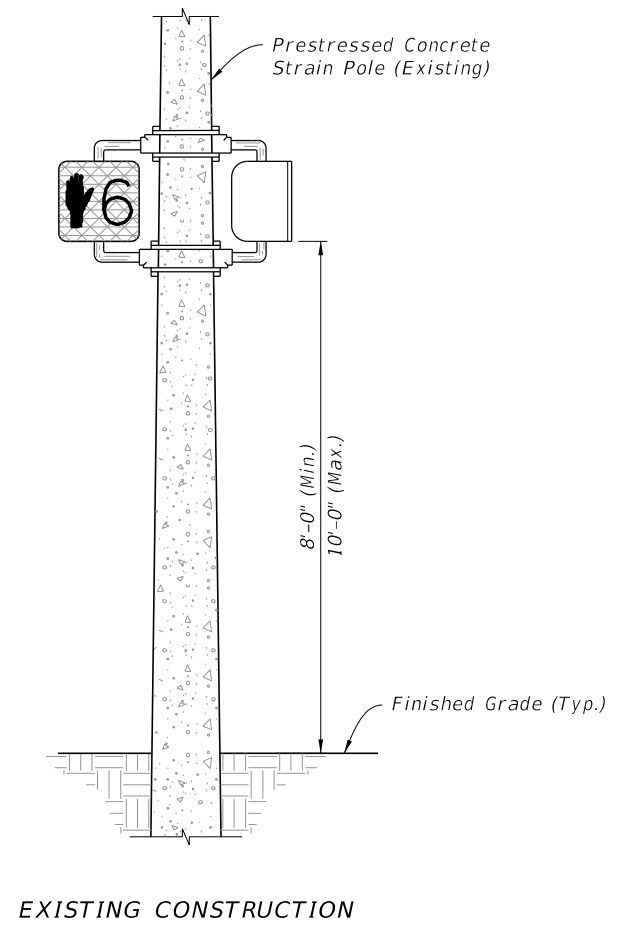
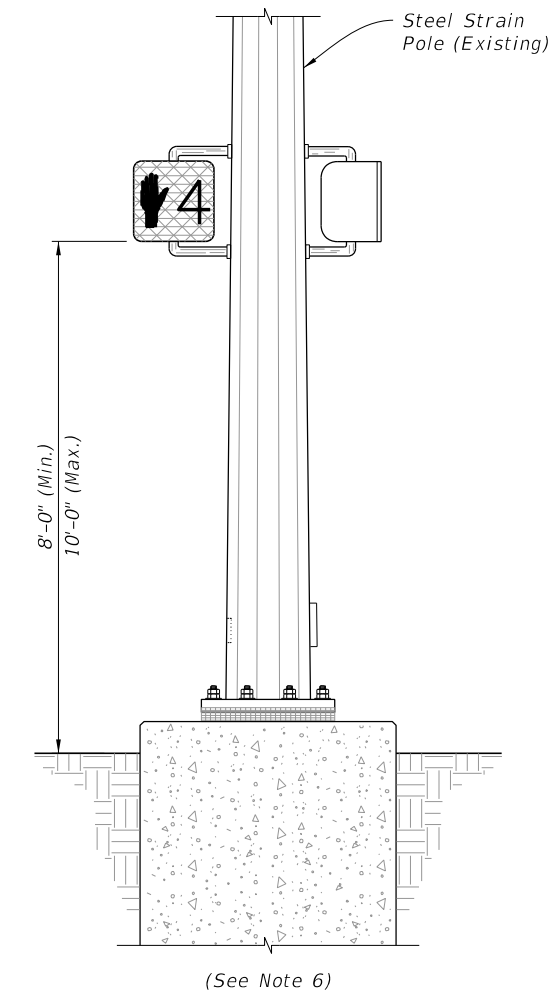


NEW CONSTRUCTION
(See Note 7)

CONCRETE POLE MOUNTED SIGNAL

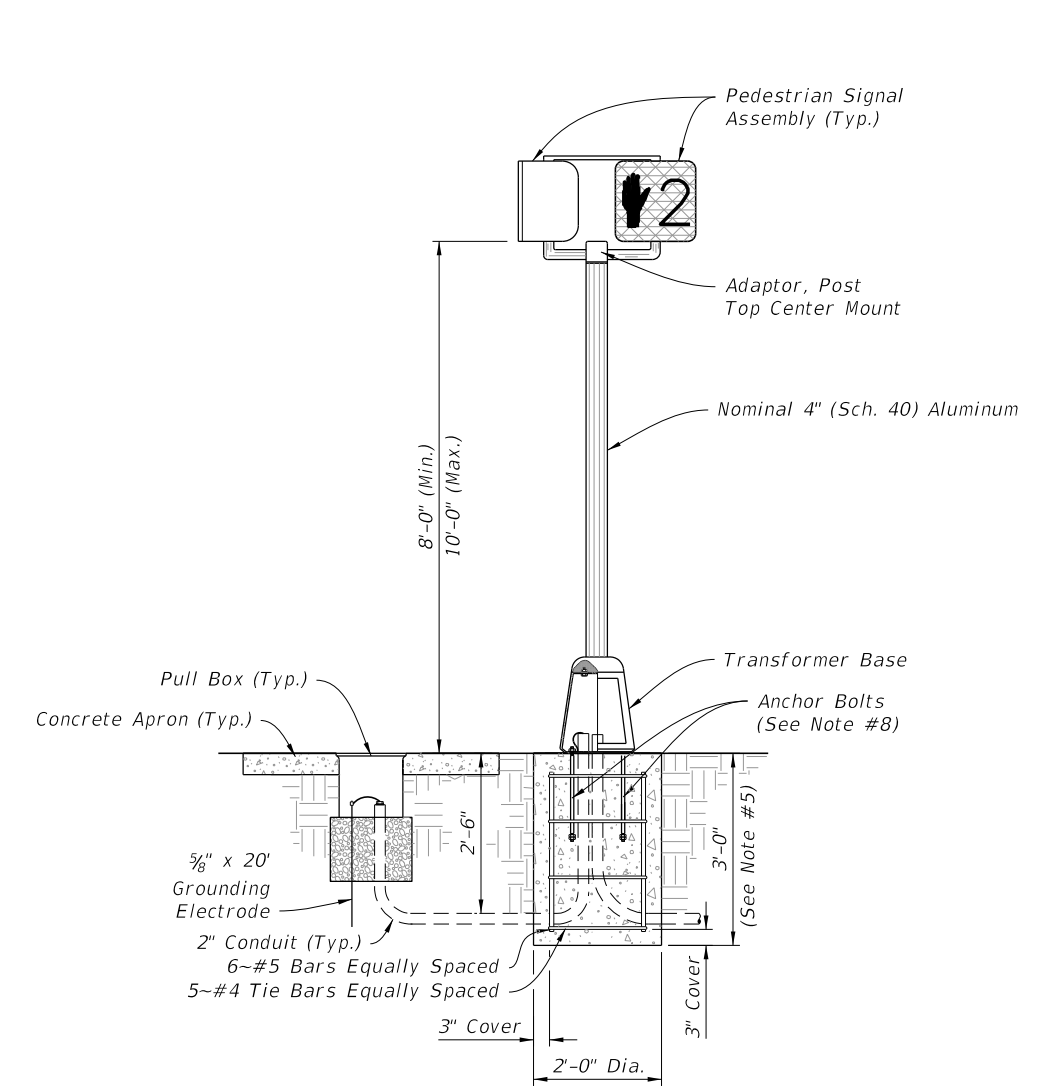


EXISTING CONSTRUCTION



(See Note 6)

STRAIN POLE MOUNTED SIGNAL



PEDESTAL MOUNTED SIGNAL

NOTES:

1. As an option, pedestrian signals may be installed on concrete poles and pedestals using lead anchors (two bolts same size per hub) in lieu of the stainless steel bands.
2. Repair drilled or punched holes in galvanized steel poles or pedestals in accordance with Specification 562. Install grommets or bushings in each hole.
3. Meet grounding requirements of Specification 620.
4. See APL for Department-approved Pedestrian Signal Assemblies and hardware.
5. Construct footing with Class 1 Concrete, footing may be Cast-In-Place (CIP) or Precast.
6. For Steel Strain Poles see Index 649-010.
7. For Prestressed Concrete Poles see Index 641-010.
8. Install 4 ~ 3/4" x 18" Anchor Bolts With Double Nuts. (ASTM F1554 Grade 55)
9. Meet the requirements of Specification 646 for aluminum poles and transformer bases.

10/14/2019 2:18:09 PM

LAST REVISION 11/01/17	REVISION	DESCRIPTION:		FY 2020-21 STANDARD PLANS	PEDESTRIAN CONTROL SIGNAL INSTALLATION DETAILS	INDEX 653-001	SHEET 1 of 1
---------------------------	----------	--------------	--	--------------------------------------	---	-------------------------	------------------------