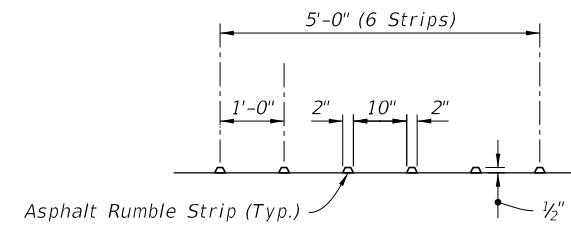
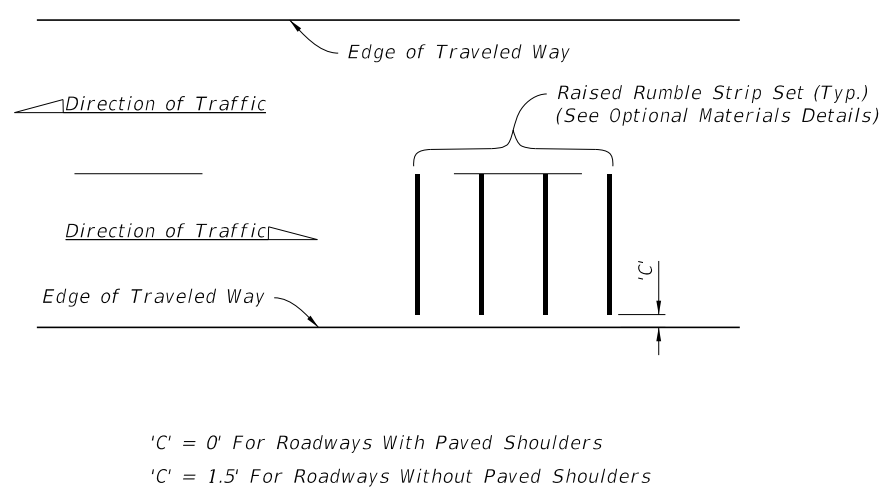


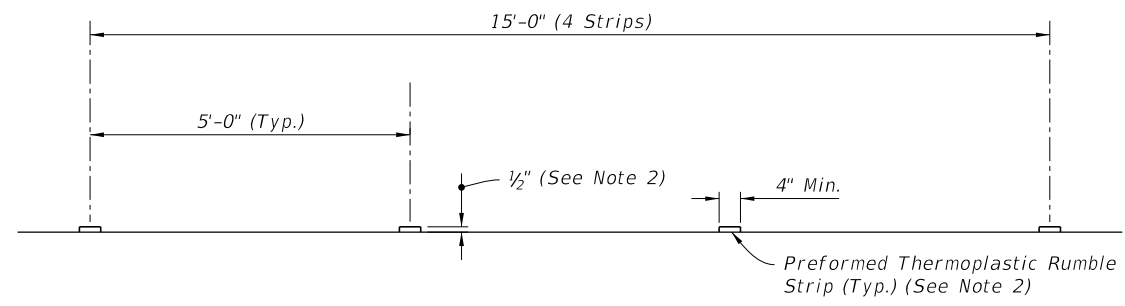
**SPACING OF RAISED RUMBLE STRIP SETS AT INTERSECTIONS**  
*(Preformed Thermoplastic Set Shown, Others Similar)*

**TABLE 1 - BRAKING ZONE**

Posted Speed (mph)	'L' (Feet)
≤ 30	150
35	200
40	250
45	300
50	350
55	410
60	470
65	550



**OPTION P1 - ASPHALT SET**



**OPTION P2 - PREFORMED THERMOPLASTIC SET**

- NOTES:**
- Construct permanent raised rumble strips where shown in the Plans and in accordance with Specification 546.
  - Preformed Thermoplastic Set:
    - Use multiple applications to achieve desired 1/2" thickness.
    - Use color white.

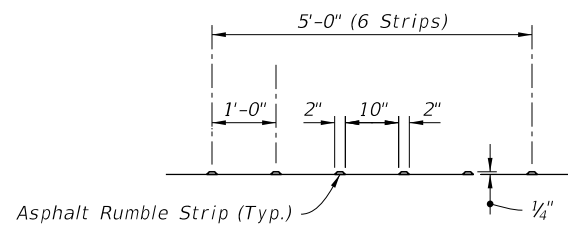
**DETAIL "A"**

**OPTIONAL MATERIALS DETAILS**

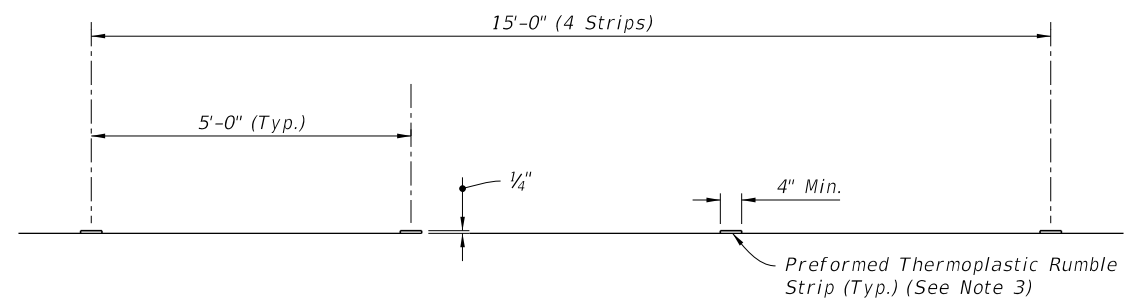
10/14/2019 11:21:29 AM

**PERMANENT RAISED RUMBLE STRIPS**

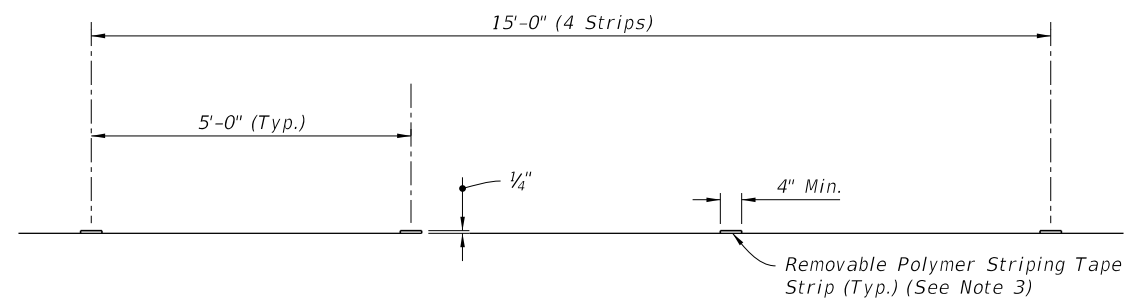
LAST REVISION 04/23/18	DESCRIPTION:	 <b>FY 2020-21 STANDARD PLANS</b>	<b>RAISED RUMBLE STRIPS</b>	INDEX <b>546-001</b>	SHEET <b>1 of 2</b>
---------------------------	--------------	--	-----------------------------	-------------------------	------------------------



OPTION ST1 - ASPHALT SET



OPTION ST2 - PREFORMED THERMOPLASTIC SET



OPTION ST3 - REMOVABLE POLYMER STRIPING TAPE SET


OPTIONAL MATERIALS DETAILS

NOTES:

1. Construct short-term raised rumble strips where noted in the Plans and in accordance with Specification 546.
2. See Sheet 1 for placement and additional details.
3. Use color white for Preformed Thermoplastic and Removable Polymer Striping Tape Sets.

10/14/2019 11:21:30 AM

SHORT-TERM RAISED RUMBLE STRIPS

LAST REVISION 04/23/18	REVISION	DESCRIPTION:	 FY 2020-21 STANDARD PLANS	RAISED RUMBLE STRIPS	INDEX 546-001	SHEET 2 of 2
---------------------------	----------	--------------	--	----------------------	------------------	-----------------