

GENERAL NOTES:

1. Use Class I Concrete.
2. Channel section C3 x 6.0 may be substituted for the C4 x 5.4 channel.
3. All steel reinforcing bars are #4 with 2" cover except as noted. Spacing shown are center to center. Lap bars 1'-5" minimum. Welded wire fabric (two cages max.) with an equivalent cross section area (0.20 sq. in.) may be substituted for bar reinforcement.
4. Drill 1/4" holes 8" deep with a rotary drill in existing endwall for dowel bars. Thoroughly clean holes prior to installing Adhesive-Bonded Dowels.
5. Quantities shown are for estimating purposes only.
6. For supplemental details, see Index 425-001.

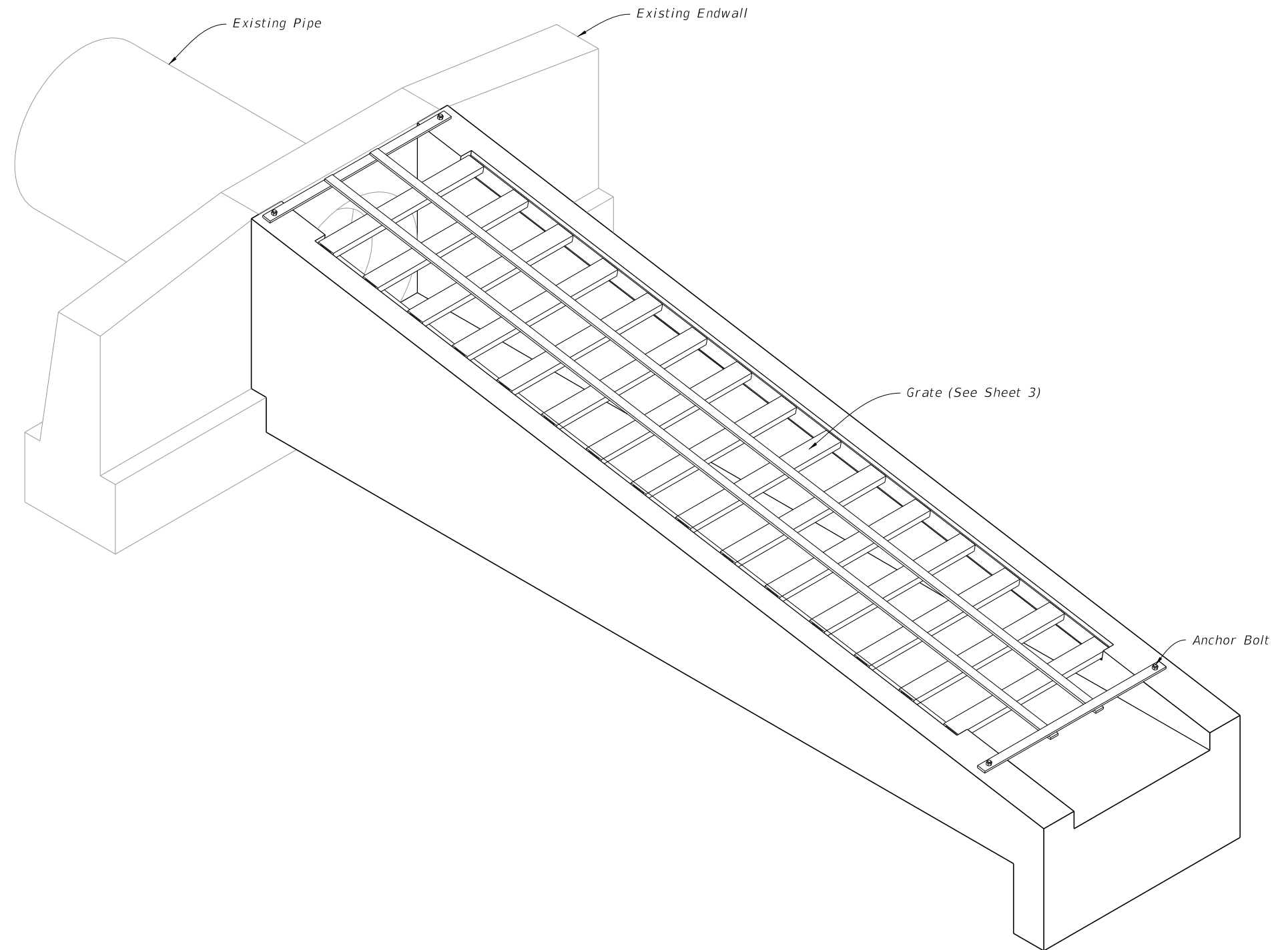


TABLE OF CONTENTS:

Sheet	Description
1	General Notes and Contents
2	Endwalls for 1:4 and 1:6 Slopes
3	Steel Grate

SAFETY MODIFICATIONS

10/14/2019 10:05:10 AM

LAST REVISION 11/01/19	REVISION	DESCRIPTION:
---------------------------	----------	--------------

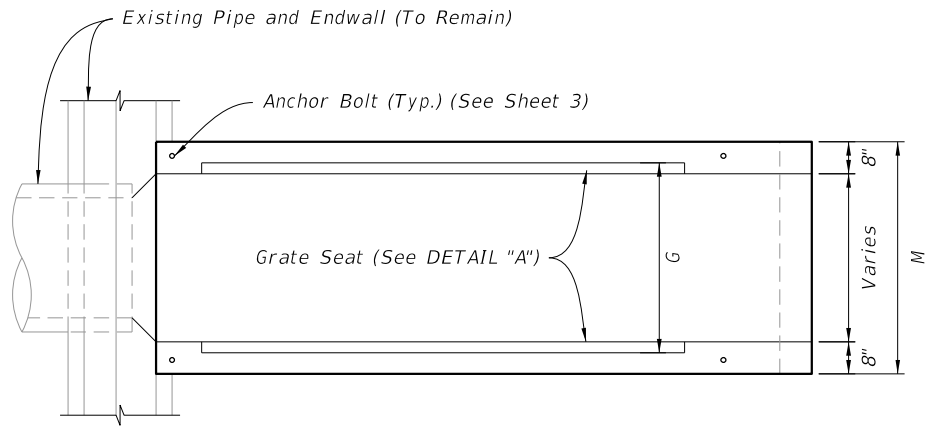


FY 2020-21
STANDARD PLANS

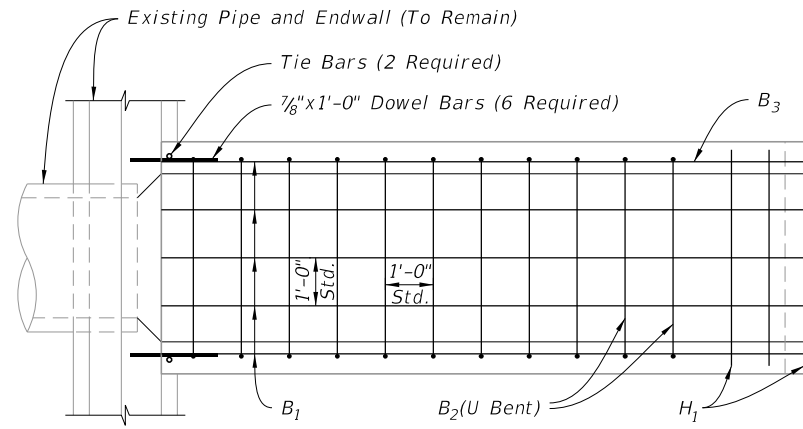
SAFETY MODIFICATIONS FOR ENDWALLS

INDEX
430-090

SHEET
1 of 3

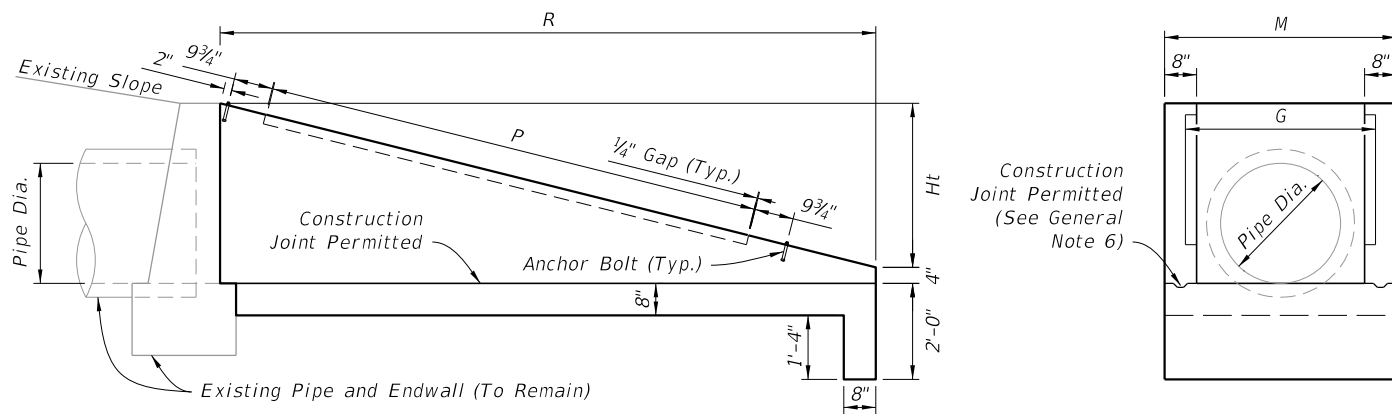


PLAN



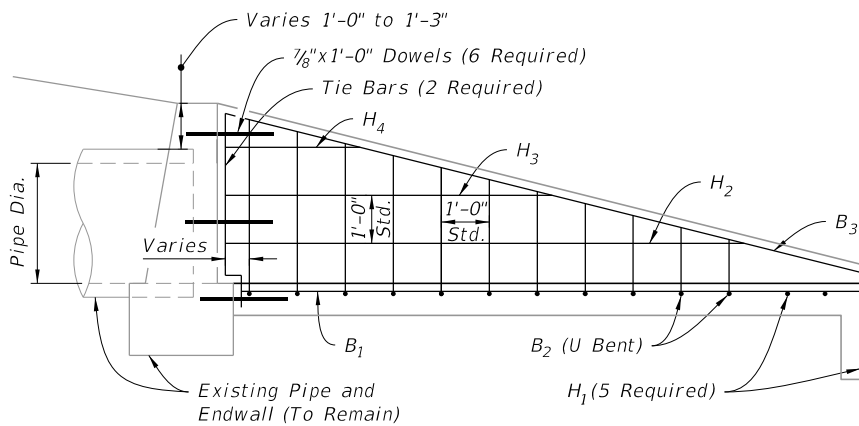
PLAN

LEGEND:
 H = Horizontal Bars
 B = Bent Bars

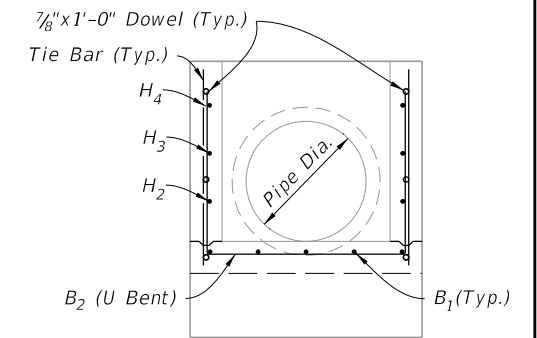


ELEVATION

END VIEW



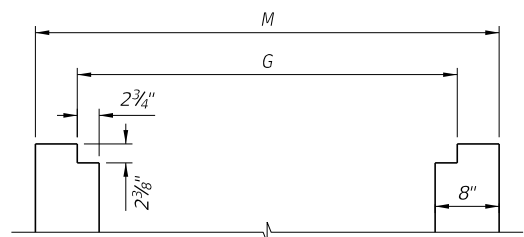
ELEVATION



BACK VIEW

DIMENSIONAL DETAILS

REINFORCING DETAILS



GRATE SEAT

DETAIL "A"

TABLE 1
 U-ENDWALL DIMENSIONS AND QUANTITIES

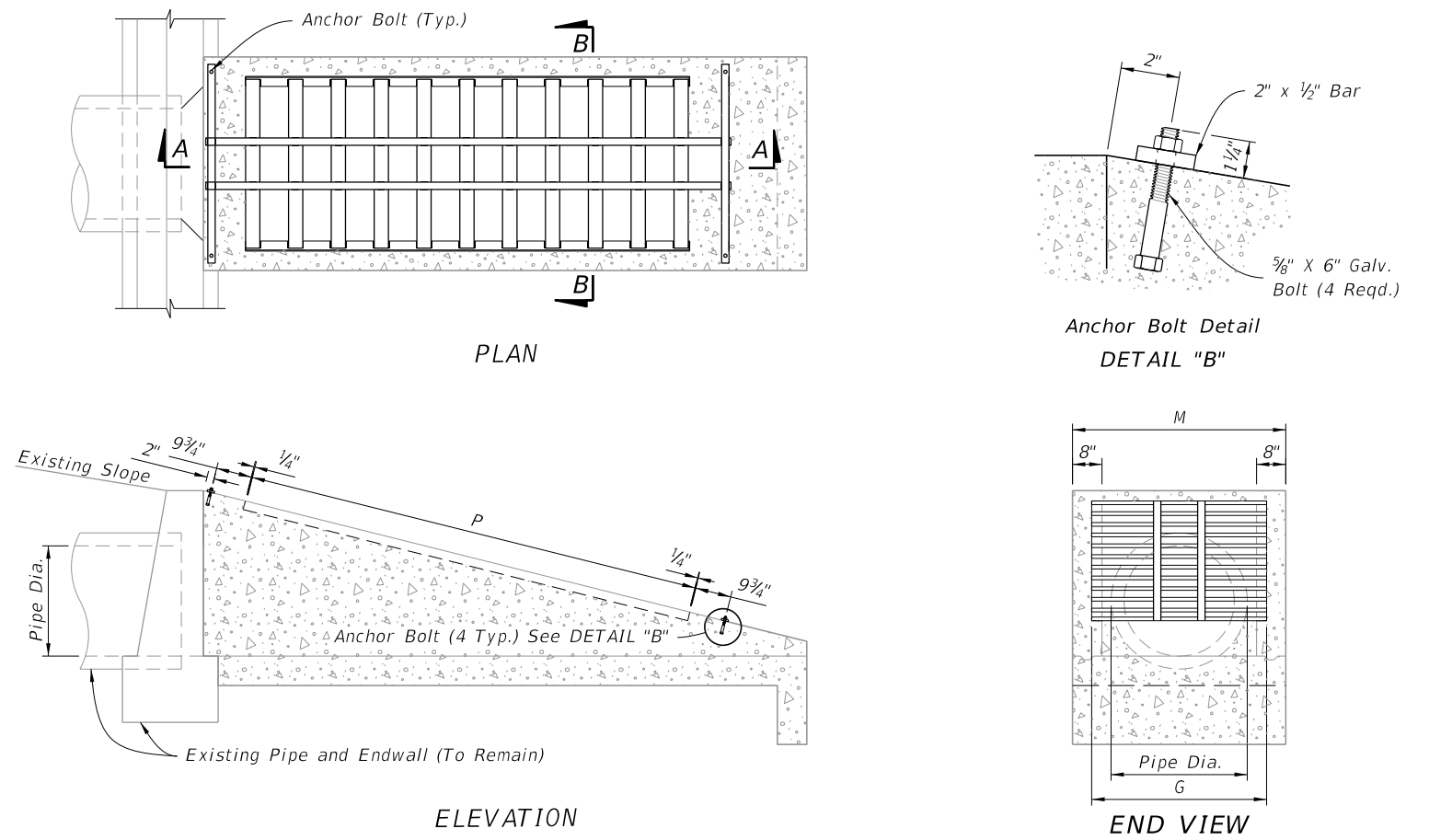
Slope	Pipe Dia.	G	M	Ht	R	P	Class I Concrete-CY	Reinforcing Steel-lbs.	Sod SY
1:6	15"	2'-8 1/2"	3'-7"	2'-2"	13'-0"	9'-4"	2.12	167	23
	18"	2'-11 1/2"	3'-10"	2'-5"	14'-6"	11'-4"	2.53	173	25
	24"	3'-5 1/2"	4'-4"	2'-11"	17'-6"	14'-4"	3.48	238	29
	30"	3'-11 1/2"	4'-10"	3'-5"	20'-6"	17'-4"	4.57	315	32
1:4	15"	2'-8 1/2"	3'-7"	2'-2"	8'-8"	5'-4"	1.44	120	19
	18"	2'-11 1/2"	3'-10"	2'-5"	9'-8"	6'-4"	1.72	130	20
	24"	3'-5 1/2"	4'-4"	2'-11"	11'-8"	8'-4"	2.36	167	22
	30"	3'-11 1/2"	4'-10"	3'-5"	13'-8"	10'-4"	3.09	225	25

ENDWALLS FOR 1:4 AND 1:6 SLOPES

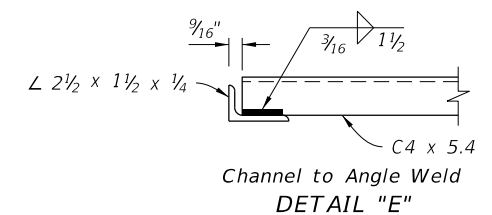
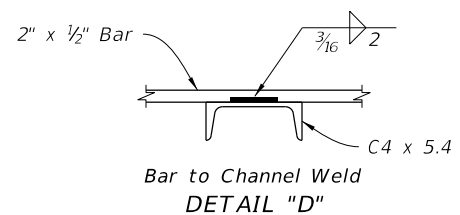
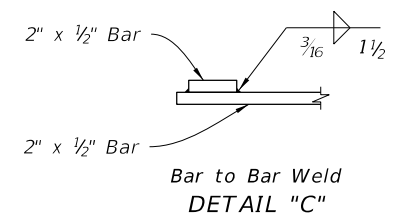
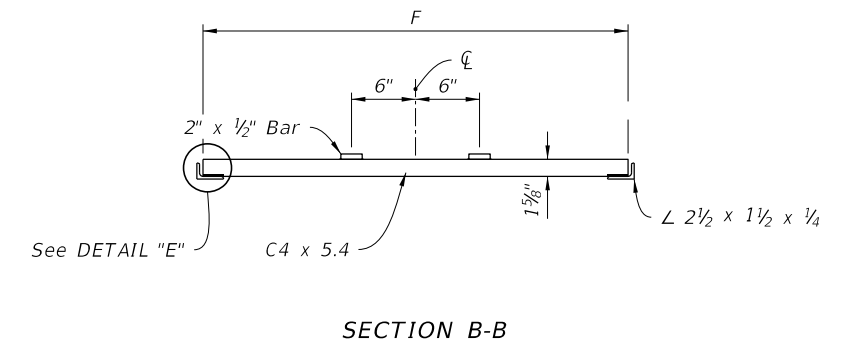
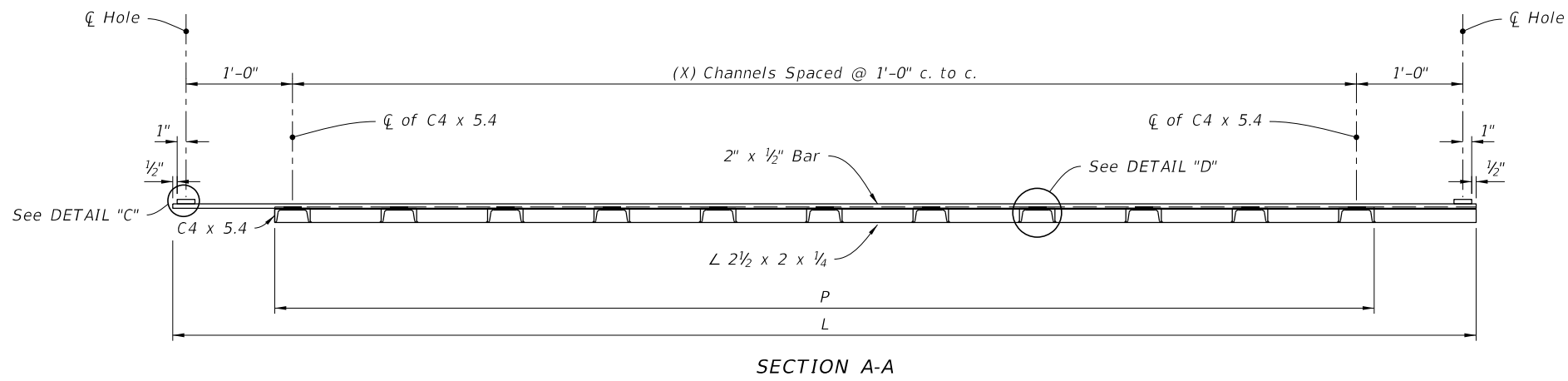
10/14/2019 10:05:11 AM

**TABLE 2
GRATE DIMENSIONS AND QUANTITIES**

Slope	Pipe Dia.	Channels @ 5.4 Lbs./LF		Bars @ 3.4 lbs/LF (2 ea.)			Angles @ 3.2 Lbs./LF		
		Quantity	F	lbs.	L	M-4"	lbs.	P	lbs.
1:6	15"	10	2'-6 ⁷ / ₈ "	139	11'-3"	3'-3"	99	9'-4"	60
	18"	12	2'-9 ⁷ / ₈ "	183	13'-3"	3'-6"	114	11'-4"	73
	24"	15	3'-3 ⁷ / ₈ "	269	16'-3"	4'-0"	138	14'-4"	92
	30"	18	3'-9 ⁷ / ₈ "	372	19'-3"	4'-6"	162	17'-4"	111
1:4	15"	6	2'-6 ⁷ / ₈ "	83	7'-3"	3'-3"	71	5'-4"	34
	18"	7	2'-9 ⁷ / ₈ "	107	8'-3"	3'-6"	80	6'-4"	41
	24"	9	3'-3 ⁷ / ₈ "	161	10'-3"	4'-0"	97	8'-4"	53
	30"	11	3'-9 ⁷ / ₈ "	227	12'-3"	4'-6"	114	10'-4"	66



STEEL GRATE MOUNTING



STEEL GRATE DETAILS

STEEL GRATE

10/14/2019 10:05:11 AM

LAST REVISION 11/01/19	REVISION	DESCRIPTION:		FY 2020-21 STANDARD PLANS	SAFETY MODIFICATIONS FOR ENDWALLS	INDEX 430-090	SHEET 3 of 3
---------------------------	----------	--------------	--	------------------------------	-----------------------------------	------------------	-----------------