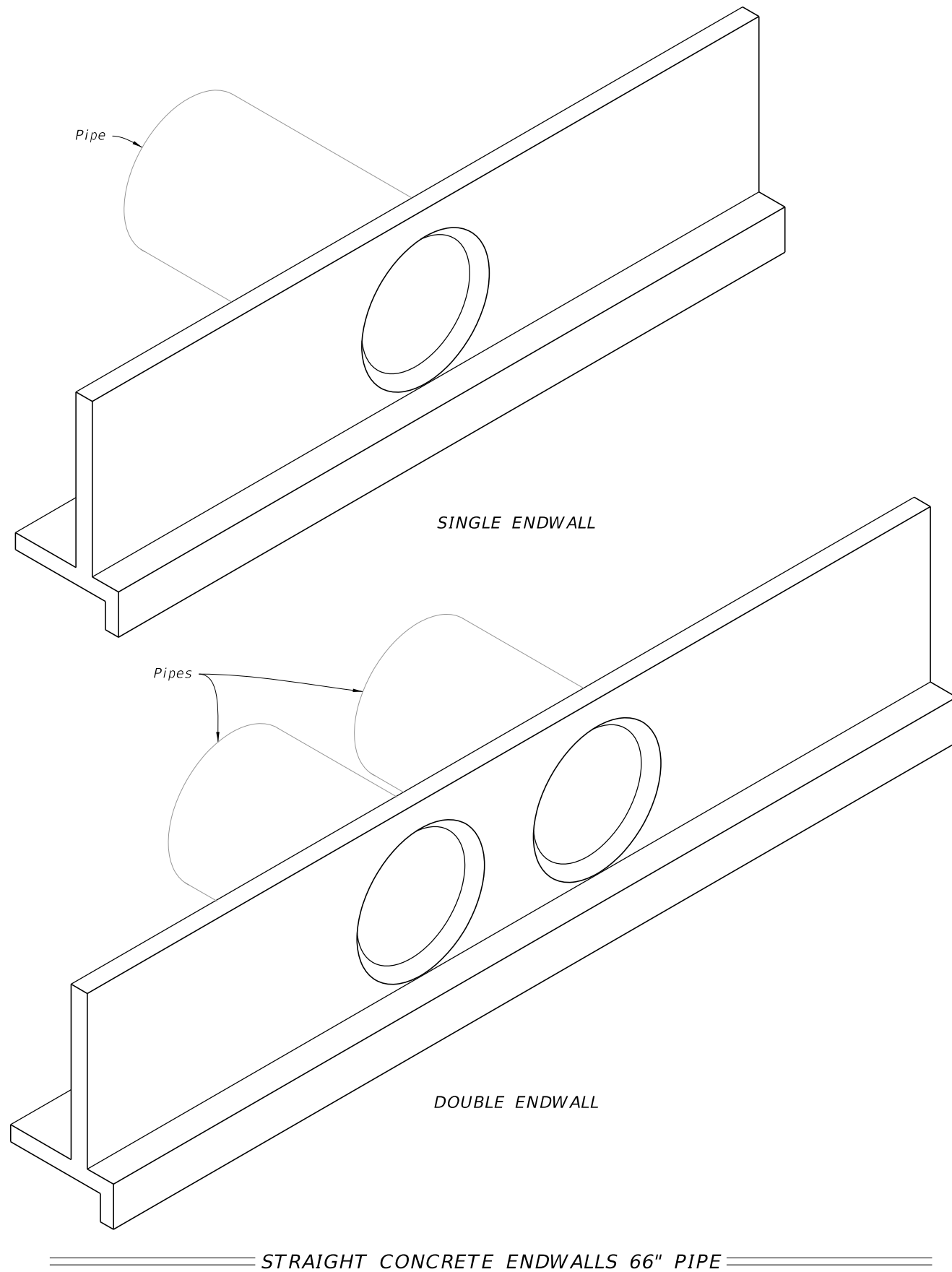


**GENERAL NOTES:**

1. Use Class II concrete.
2. Reinforcing steel is either Grade 40 or 60.
3. Endwalls may be cast in place or precast concrete. The Contractor or the Supplier will determine the additional reinforcement necessary for handling precast units.
4. Chamfer all exposed edges and corners  $\frac{3}{4}$ " unless otherwise shown.
5. Quantities shown are for estimating purposes only.

TABLE OF CONTENTS:	
Sheet	Description
1	General Notes and Contents
2	Single 66" Pipe Endwall Details
3	Double 66" Pipe Endwall Details



10/14/2019 10:03:19 AM

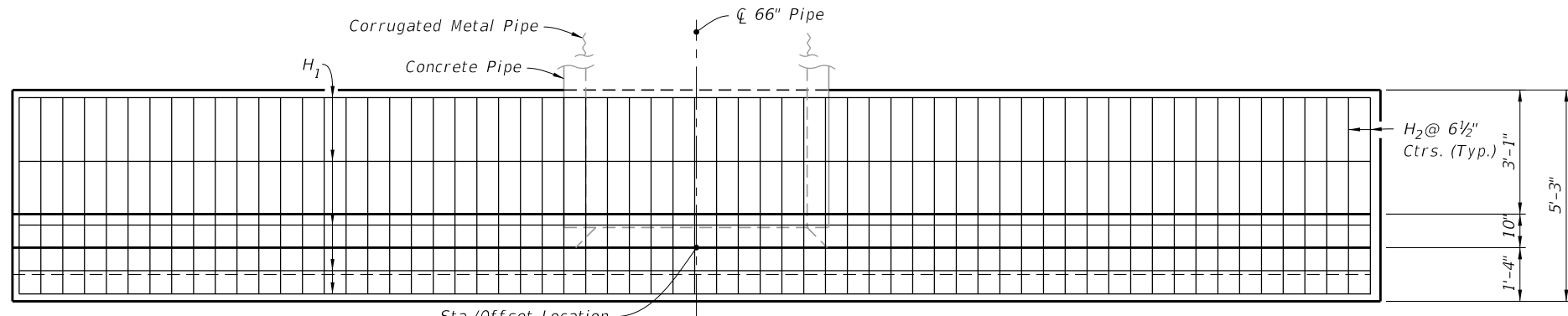
LAST REVISION 11/01/19	REVISION	DESCRIPTION:
------------------------------	----------	--------------


**FY 2020-21  
STANDARD PLANS**

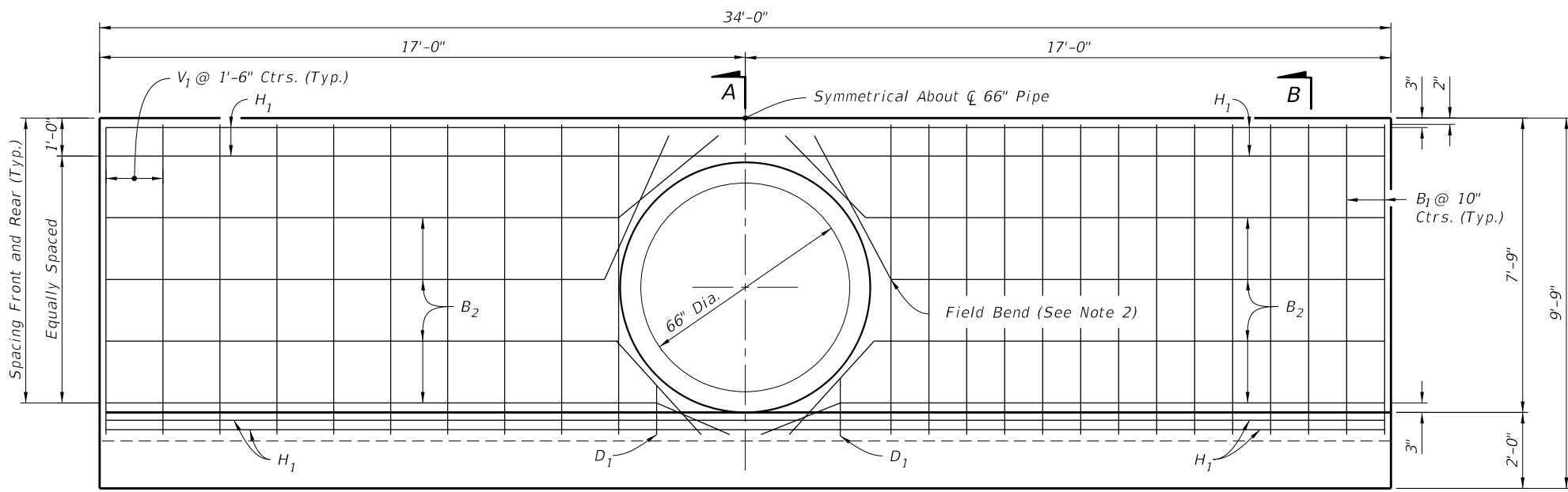
**STRAIGHT CONCRETE ENDWALLS  
SINGLE AND DOUBLE 66" PIPE**

INDEX <b>430-032</b>
-------------------------

SHEET <b>1 of 3</b>
------------------------



**PLAN**  
(Showing Bars In Footing)



**HALF ELEVATION**  
(Showing Bars in Front Face of Wall)

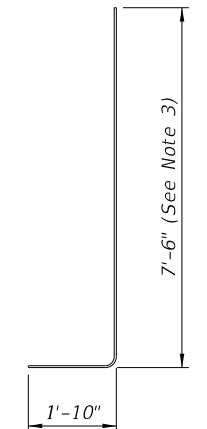
**HALF ELEVATION**  
(Showing Bars in Back Face of Wall)

- NOTES:**
- 2" clearance on all reinforcement, unless otherwise shown.
  - Cut and bend B<sub>2</sub> Bars as shown.
  - All bar dimensions are out to out.

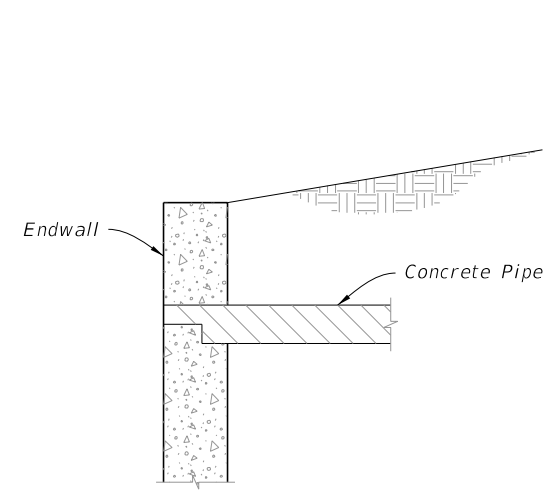
**LEGEND:**  
 H = Horizontal Bars    B = Bent Bars  
 V = Vertical Bars        D = Dowels or Diagonal Bars

SINGLE 66" PIPE ENDWALL ESTIMATED QUANTITIES			
ITEM	UNIT	RCP	CMP
Class II Concrete	Cu. Yd.	13.2	13.3
Reinforcing Steel	Lb.	1,170	1,170

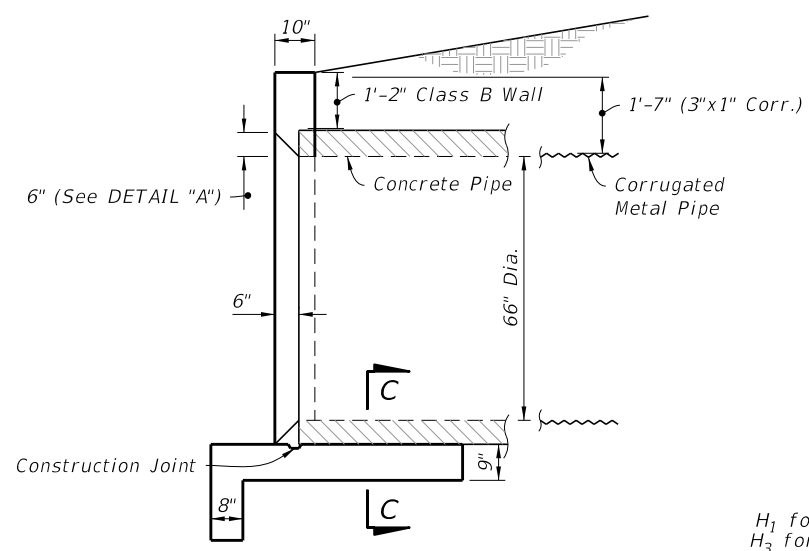
BILL OF REINFORCING STEEL			
MARK	SIZE	NO. REQD.	LENGTH
H <sub>1</sub>	4	9	33'-8"
H <sub>2</sub>	5	63	4'-11"
V <sub>1</sub>	4	20	8'-1"
B <sub>1</sub>	5	34	9'-11"
B <sub>2</sub>	4	8	33'-8"
D <sub>1</sub>	4	4	1'-8"



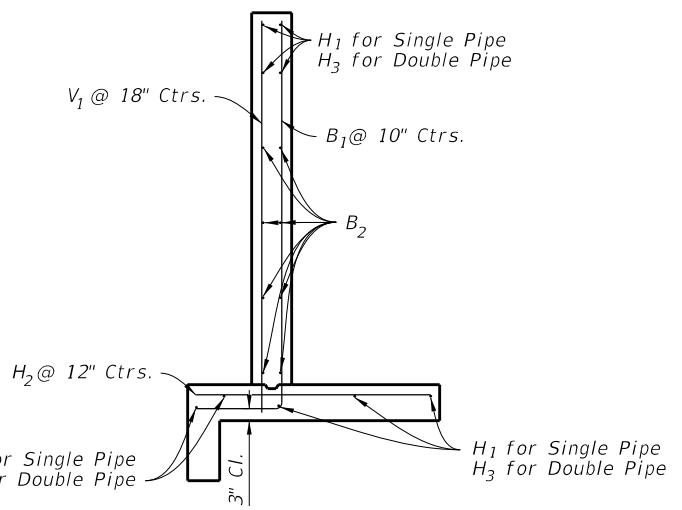
**BAR B<sub>1</sub>**  
**BENDING DIAGRAM**



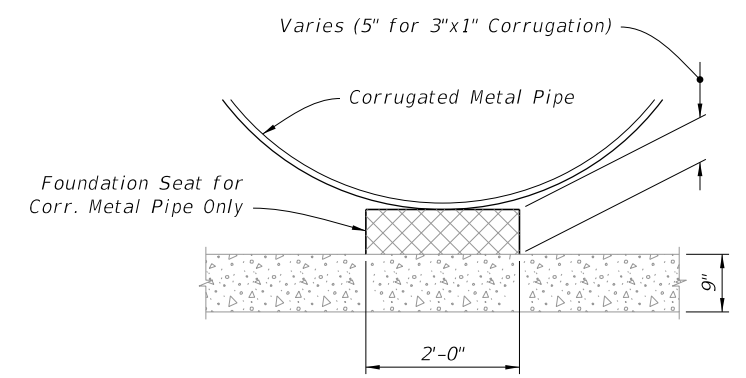
**DETAIL "A"**  
(Concrete Pipe Optional Entrance)



**SECTION A-A**  
(Rebar Not Shown)



**SECTION B-B**  
(Typical Section)



**SECTION C-C**

**SINGLE 66" PIPE ENDWALL DETAILS**

10/14/2019 10:03:19 AM

LAST REVISION	DESCRIPTION:
11/01/19	

**FY 2020-21**  
**STANDARD PLANS**

**STRAIGHT CONCRETE ENDWALLS**  
**SINGLE AND DOUBLE 66" PIPE**

INDEX	SHEET
430-032	2 of 3

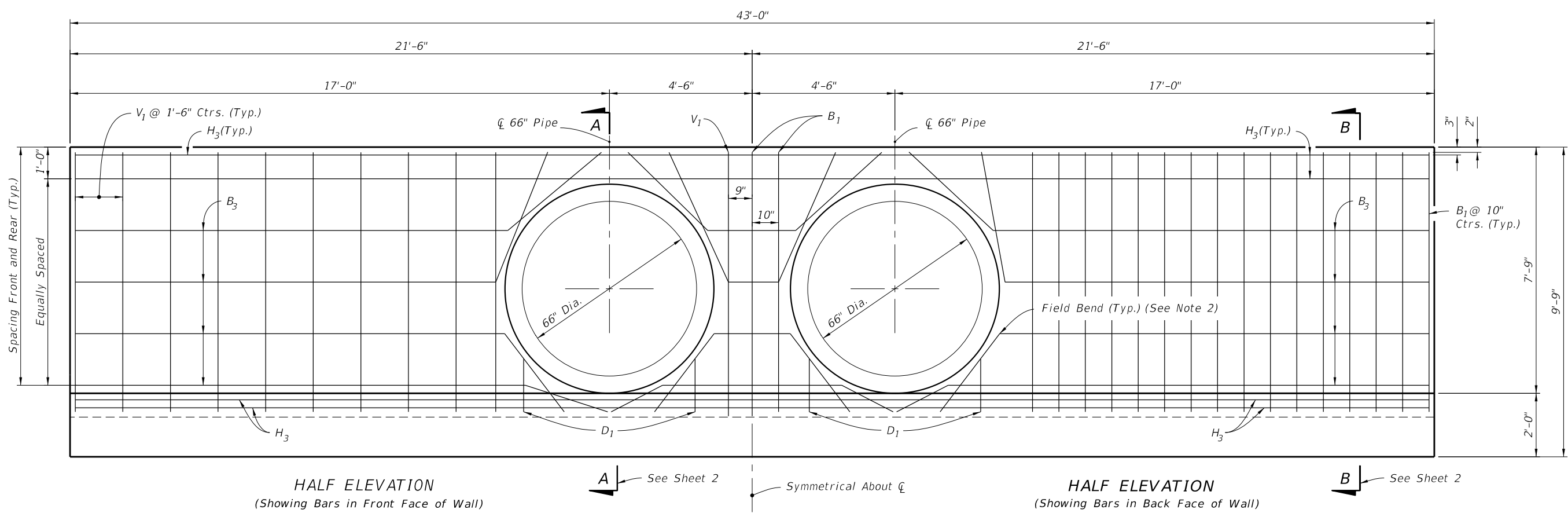
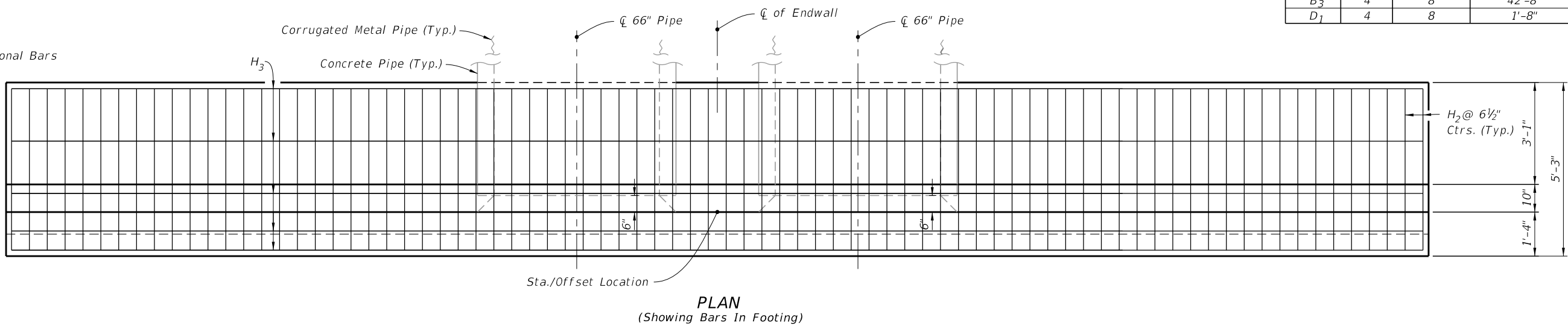
DOUBLE 66" PIPE ENDWALL ESTIMATED QUANTITIES			
ITEM	UNIT	RCP	CMP
Class II Concrete	Cu. Yd.	16.0	16.2
Reinforcing Steel	Lb.	1,406	1,406

BILL OF REINFORCING STEEL			
MARK	SIZE	NO. REQD.	LENGTH
H <sub>2</sub>	5	80	4'-11"
H <sub>3</sub>	4	9	42'-8"
V <sub>1</sub>	4	22	8'-1"
B <sub>1</sub>	5	37	9'-11"
B <sub>3</sub>	4	8	42'-8"
D <sub>1</sub>	4	8	1'-8"

- NOTES:**
- 2" clearance on all reinforcement, unless otherwise shown.
  - Cut and bend B<sub>3</sub> Bars as shown.
  - All bar dimensions are out to out.

**LEGEND:**  
H = Horizontal Bars  
V = Vertical Bars  
B = Bent Bars  
D = Dowels or Diagonal Bars



10/14/2019 10:03:20 AM

**DOUBLE 66" PIPE ENDWALL DETAILS**

LAST REVISION 11/01/19	DESCRIPTION:	FDOT	FY 2020-21 STANDARD PLANS	STRAIGHT CONCRETE ENDWALLS SINGLE AND DOUBLE 66" PIPE	INDEX 430-032	SHEET 3 of 3
---------------------------	--------------	------	------------------------------	--	------------------	-----------------