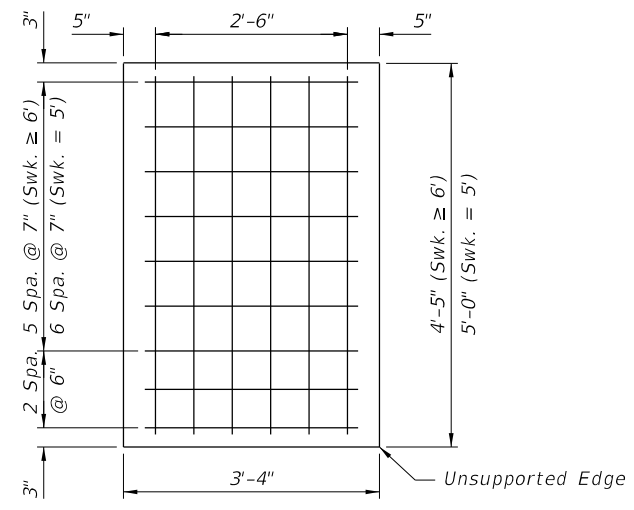
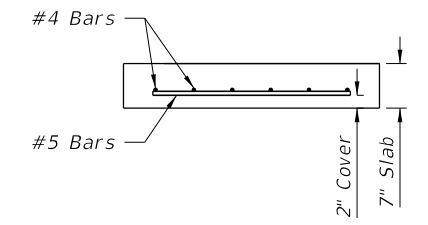


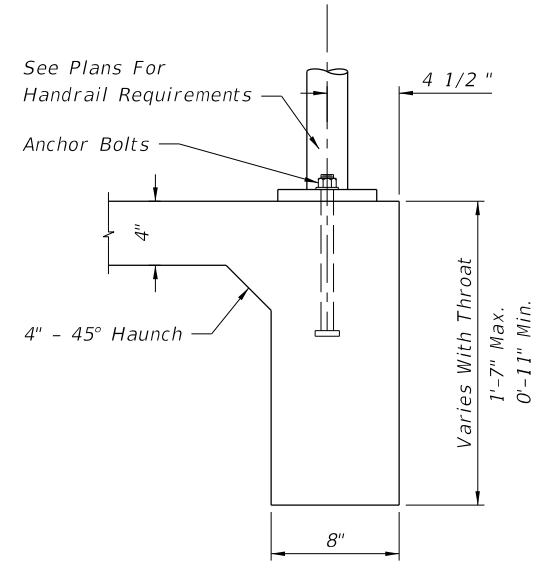
PLAN



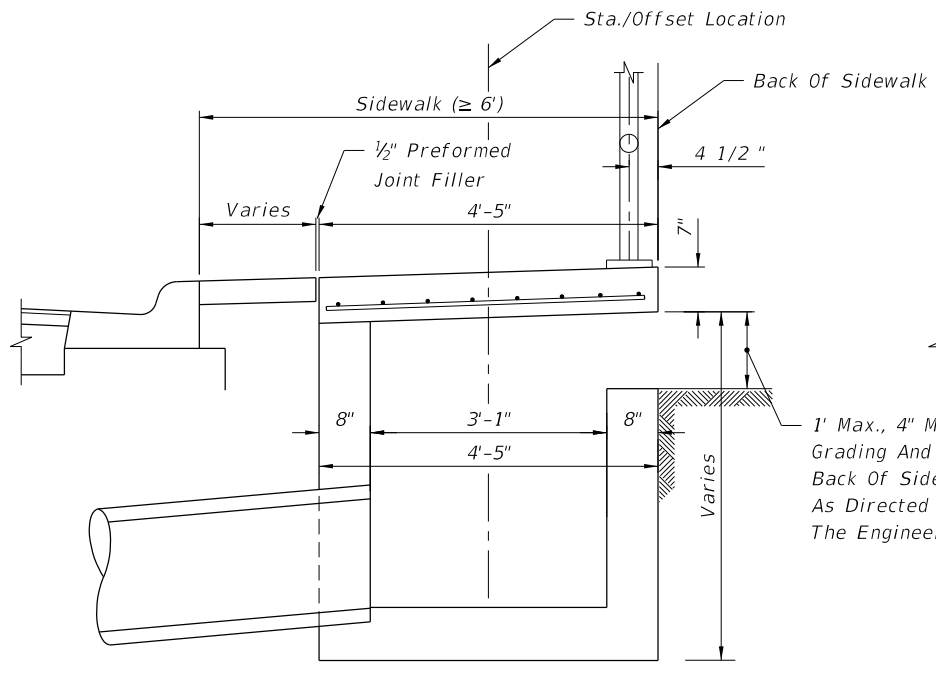
SLAB REINFORCEMENT



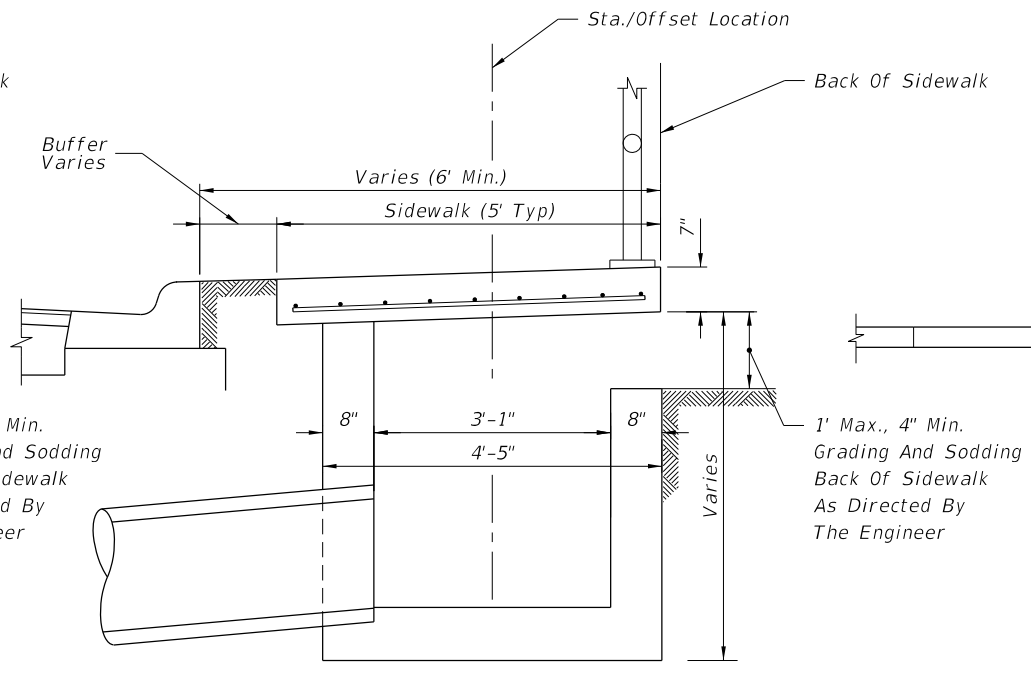
SLAB SECTION



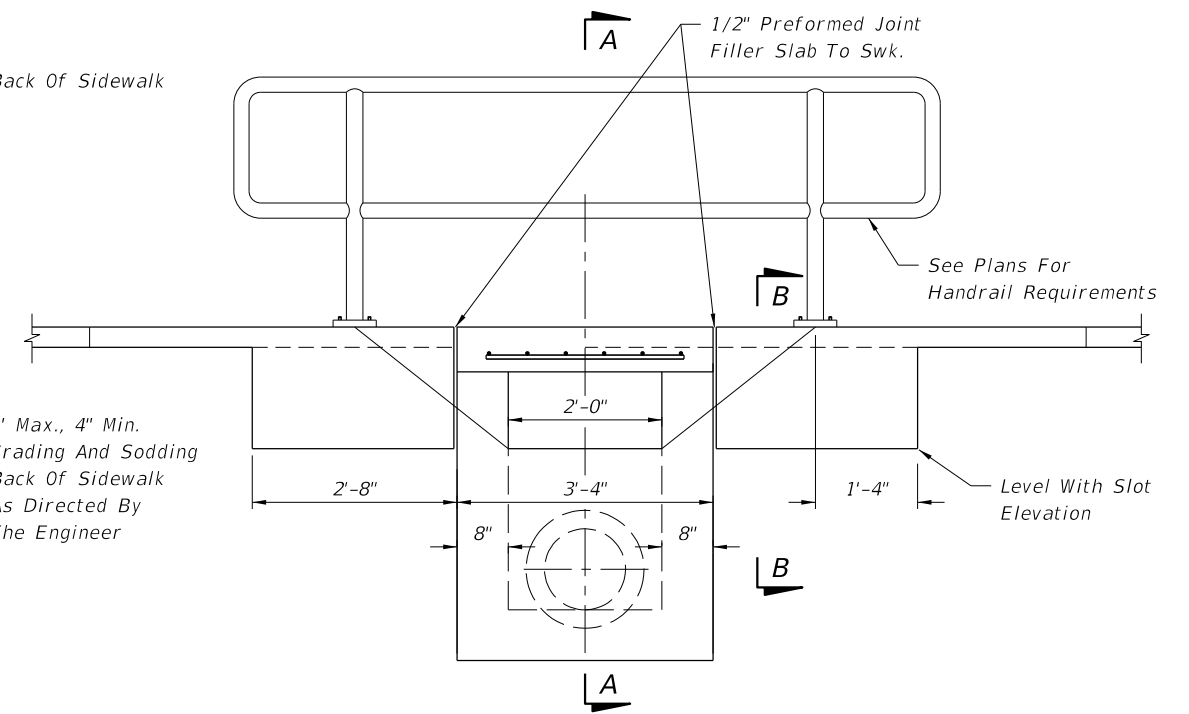
SECTION BB



≥ 6' SIDEWALK SECTION AA



5' SIDEWALK SECTION AA




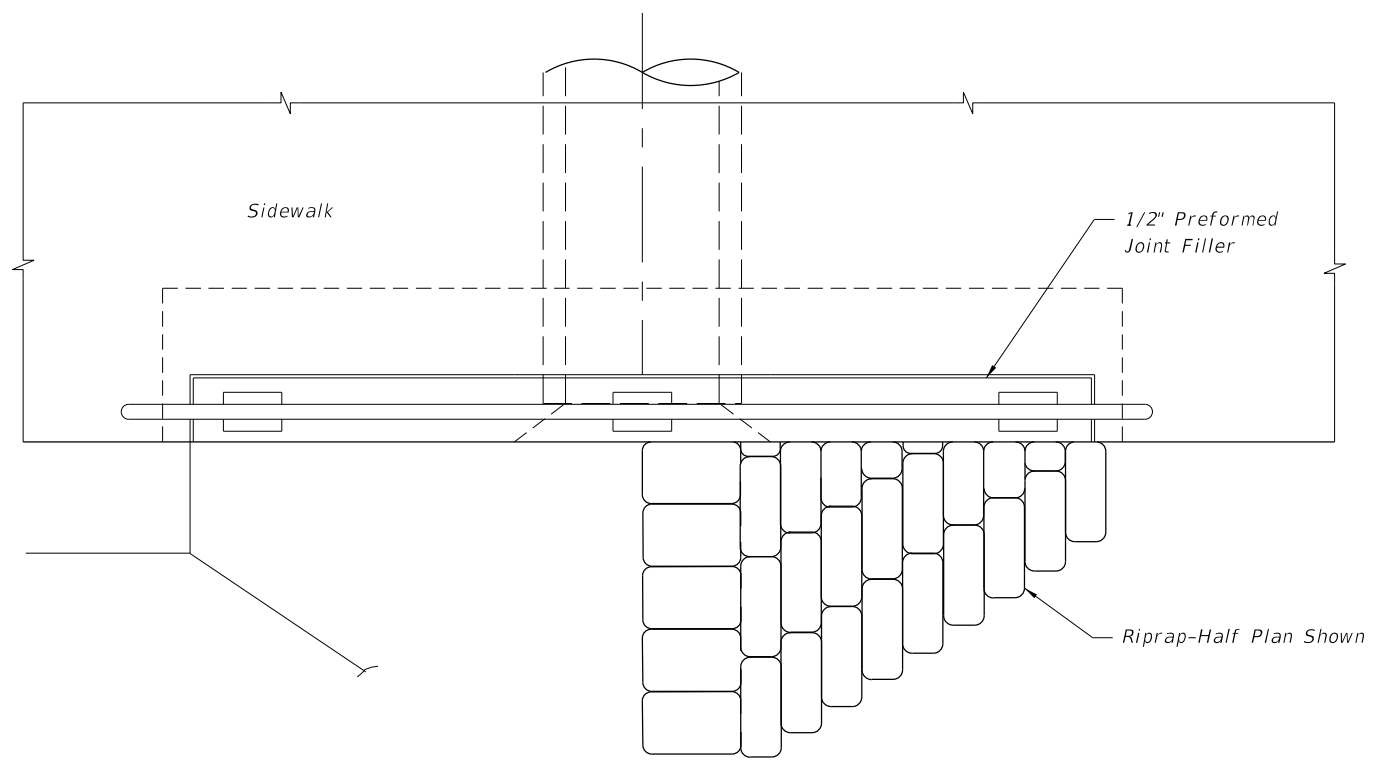
FRONT ELEVATION

- Notes:
- For additional details see Index 425-052.
 - Inlet to be paid for under the contract unit price for Inlets (Ditch Bottom Type C Modified), EA. Handrail to be paid for under the contract unit price for Pipe Handrail, (Material), LF.

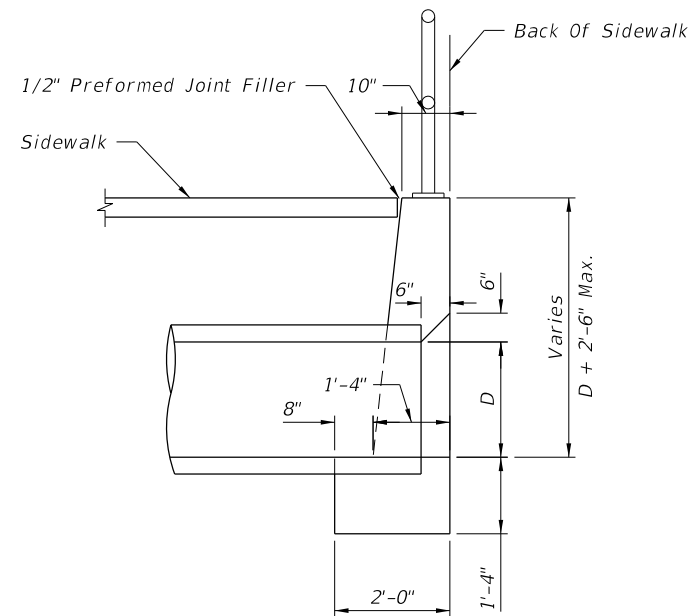
INLET TYPE C (MODIFIED)

10/14/2019 9:15:21 AM

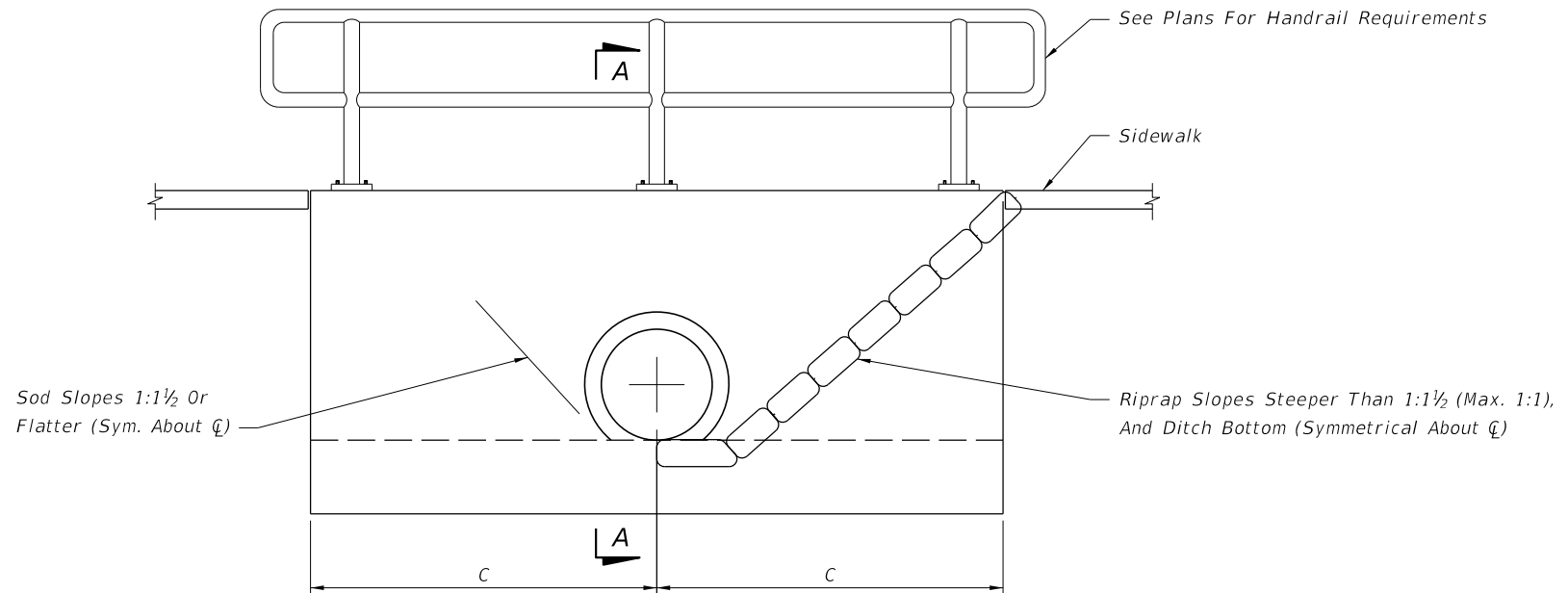
LAST REVISION 11/01/17	DESCRIPTION:	 FY 2020-21 STANDARD PLANS	BACK OF SIDEWALK DRAINAGE	INDEX 425-060	SHEET 1 of 3
---------------------------	--------------	--	---------------------------	------------------	-----------------



PLAN



SECTION AA



FRONT ELEVATION

Pipe Size (in)	C	Concrete Class I (CY)	Sand-Cement Riprap (CY)
15	4'-9"	2.3	1.1
18	5'-3"	2.6	1.3
24	6'-3"	3.3	1.8

- Notes:
1. Maximum pipe size shall be 24" diameter.
 2. Grading back of sidewalk varies and shall be done as directed by the Engineer.
 3. Concrete quantities shown are for maximum wall heights, and shall be basis for estimate and payment.
 4. Riprap quantities shown are for estimate purposes only. Cost of riprap to be included in cost of the endwall.
 5. Endwalls to be paid for under the contract unit price for Concrete Class I (Endwalls), CY. Handrail to be paid for under the contract unit price for Pipe Handrail, (Material), LF.

SPECIAL CONCRETE ENDWALL

10/14/2019 9:15:21 AM

LAST REVISION	DESCRIPTION:
11/01/17	

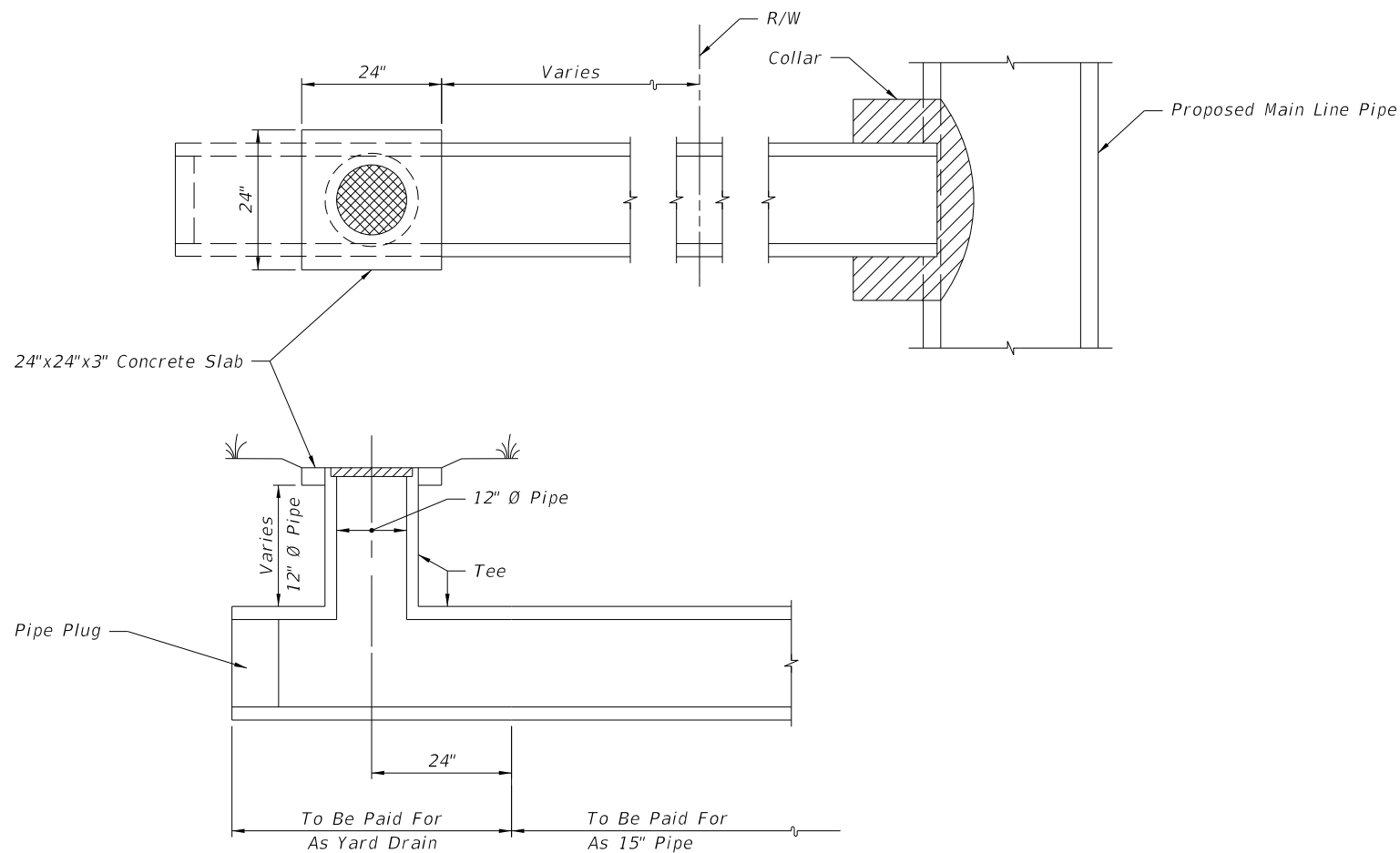


FY 2020-21
STANDARD PLANS

BACK OF SIDEWALK DRAINAGE

INDEX
425-060

SHEET
2 of 3

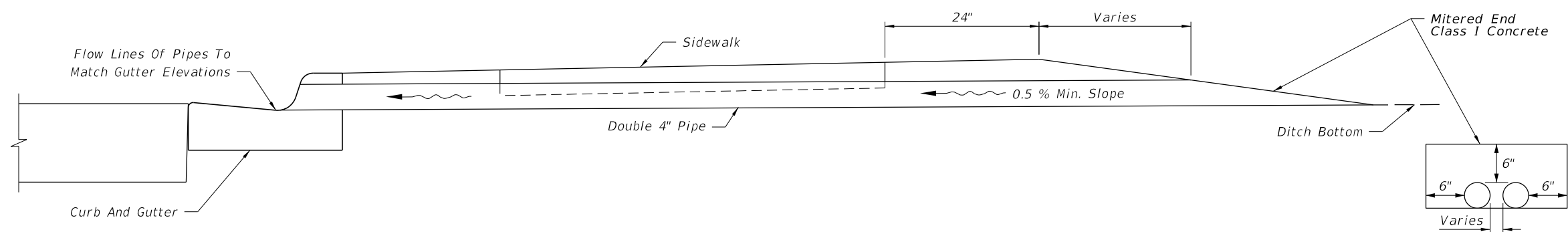


YARD DRAIN ITEM INCLUDES:

1. 15" x 15" x 12" Concrete or PVC Tee 4' long.
2. Grate diameter = 14-1/4"
Thickness = 2-1/2"
Flow area = 45 sq in min.
Light Duty Cast Iron, see Specification Section 962.
3. 12" pipe as necessary.
4. 0.04 Cubic yards concrete for slab.

YARD DRAINS

- Notes:
1. Yard drains to be located outside the R/W. Drainage area should not exceed 750 SF (grate flow 0.1 Cfs).
 2. Yard drains may be constructed at the option of the property owner as shown on the plans.
 3. Cost of plugs and collars to be included in the cost for 15" pipe. For collar and plug details see Index 430-001.
 4. Yard drains to be paid for under the contract unit price for Yard Drains, EA.



SHALLOW DITCHES

- Notes:
1. To be constructed at locations as directed by the Engineer.
 2. Either cast iron pipe or PVC rigid conduit, U.L. listed for direct sunlight exposure, Schedule 40, may be used.
 3. Pipe and Mitered End to be paid for under the contract unit price for either Cast Iron Soil Pipe (Standard) (4"), LF or PVC Pipe For Back Of Sidewalk Drainage (4"), LF.

Note:
Miter to slope.

10/14/2019 9:15:22 AM

LAST REVISION 11/01/17	REVISION	DESCRIPTION:	 FY 2020-21 STANDARD PLANS	BACK OF SIDEWALK DRAINAGE	INDEX 425-060	SHEET 3 of 3
---------------------------	----------	--------------	--	----------------------------------	-------------------------	------------------------