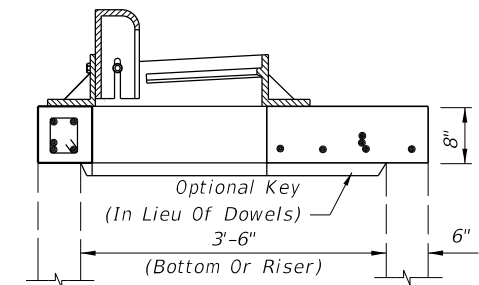
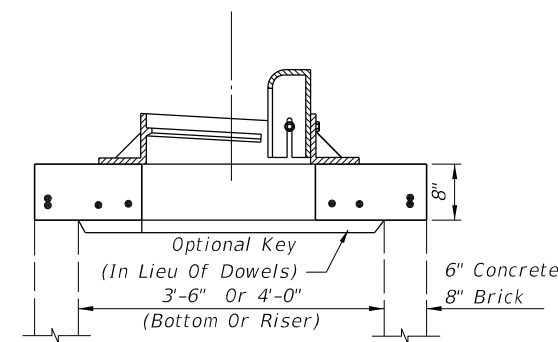
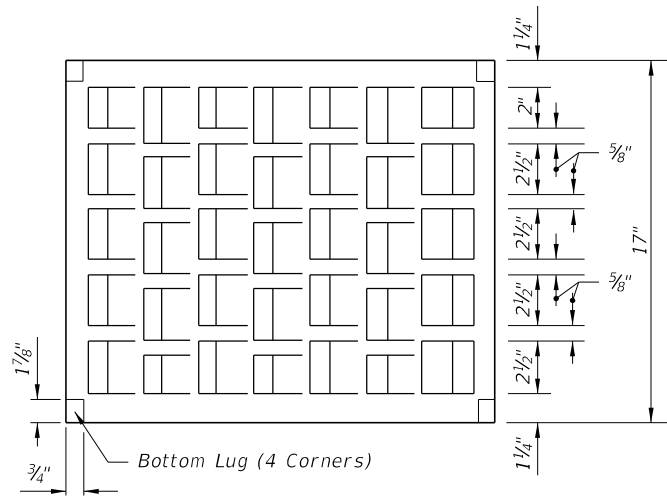


FRAME AND GRATE

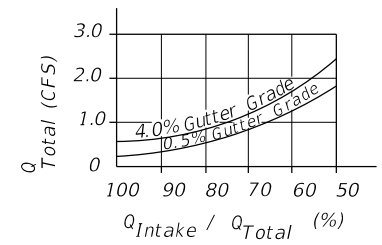


SECTION AA
(SEE NOTE 6 BELOW)

SECTION BB
(SEE NOTE 6 BELOW)



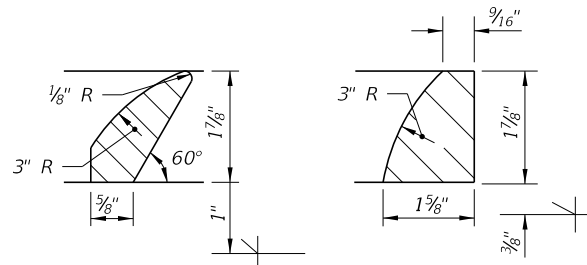
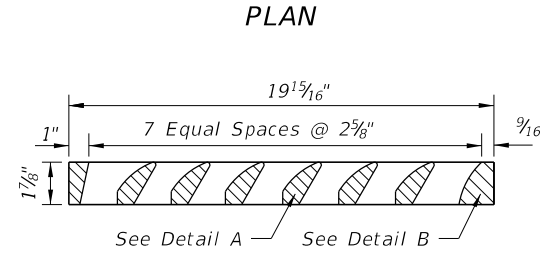
Approximate Debris Free Capacity (0.02 Pavement Cross Slope)



TOP SLABS

GENERAL NOTES

1. This inlet is primarily intended for locations with light flows where right of way does not permit the use of throated Curb Inlets Types 1 through 6. The typical application is on curb returns to city streets. The inlet grate is suitable for pedestrian and bicycle traffic.
2. This inlet to be located outside of curb ramp area in vertical faced curbs such as Curb and Gutter Type F. Grate shall be oriented with vanes directed toward predominant flow.
3. For structure bottoms see Index 425-010. For supplemental details see Index 425-001.
4. All steel in slab tops shall have 1 1/4" minimum cover unless otherwise shown. Tops shall be either cast-in-place or precast concrete.
5. For Alternate B applications, top slab openings shall be placed such that 2 edges of inlet frame will be located directly above bottom or riser walls.
6. When used on a structure with dimensions larger than those detail above and risers are not applied, the top slab shall be constructed using Index 425-010 with the slab opening adjusted to 22"x24". The "Special Top Slab" on Index 425-010 is not permitted.
7. Frame may be adjusted with one to six courses of brick.
8. Vaned grates with approximately equal openings will be permitted that satisfy AASHTO HL-93 loading. Grates shall be reversible.



GRATE DETAIL

10/14/2019 9:09:16 AM

LAST REVISION 11/01/17	REVISION	DESCRIPTION:	<p>FY 2020-21 STANDARD PLANS</p>	<p>CURB INLET TOP TYPE 10</p>	<p>INDEX 425-025</p>	<p>SHEET 1 of 1</p>
---------------------------	----------	--------------	--------------------------------------	-------------------------------	--------------------------	-------------------------