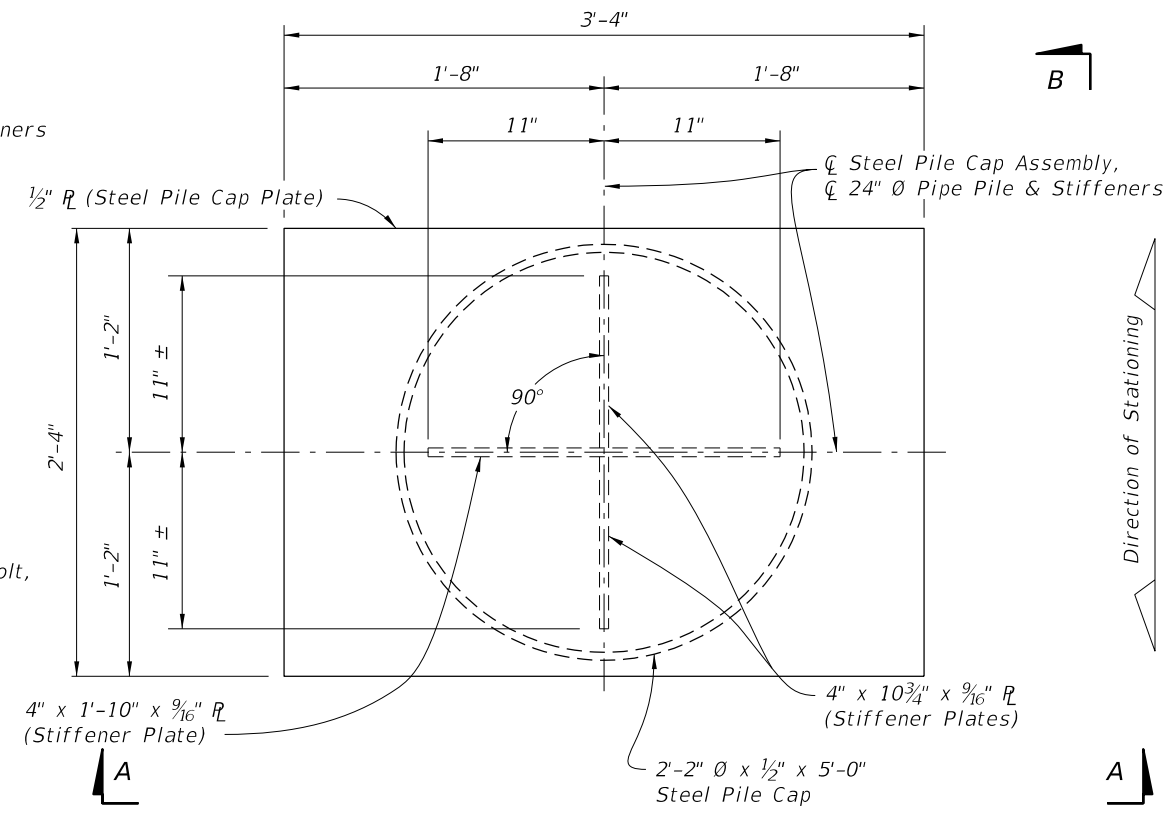
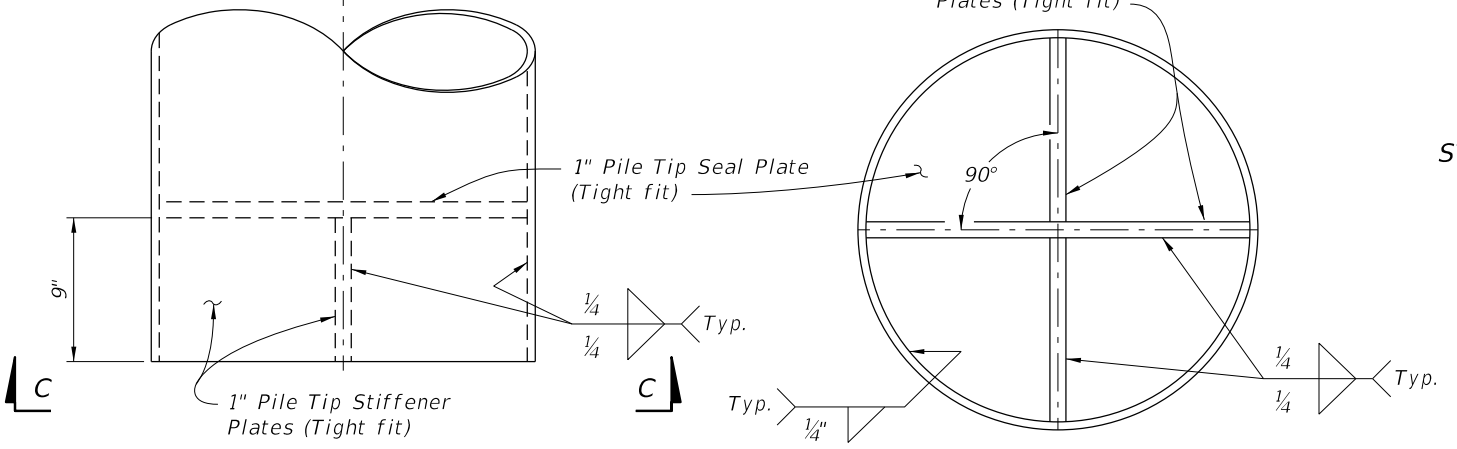


PARTIAL VIEW A-A

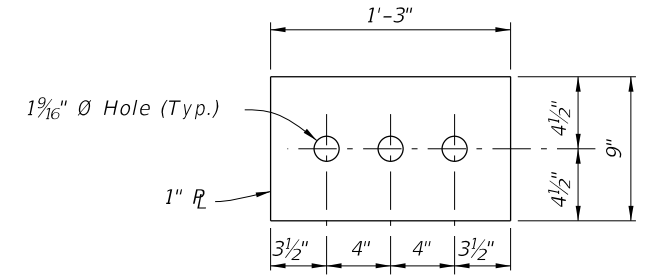


PLAN VIEW STEEL PILE CAP ASSEMBLY  
(Bearing Plates and Bearing Keeper Bars not show for clarity)



VIEW B-B

VIEW C-C  
PILE TIP DETAIL

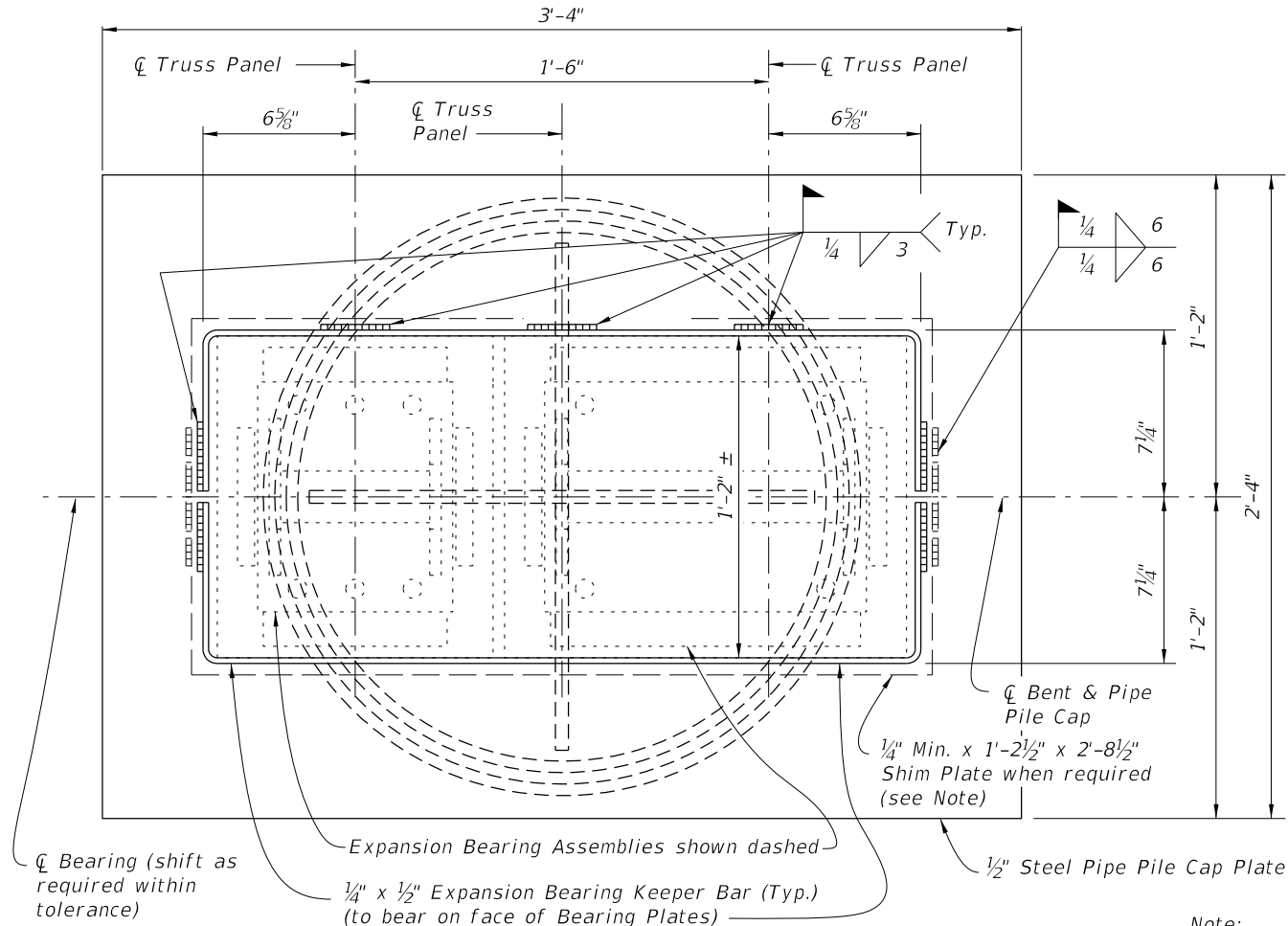


STRUT CONNECTOR PLATE DETAIL

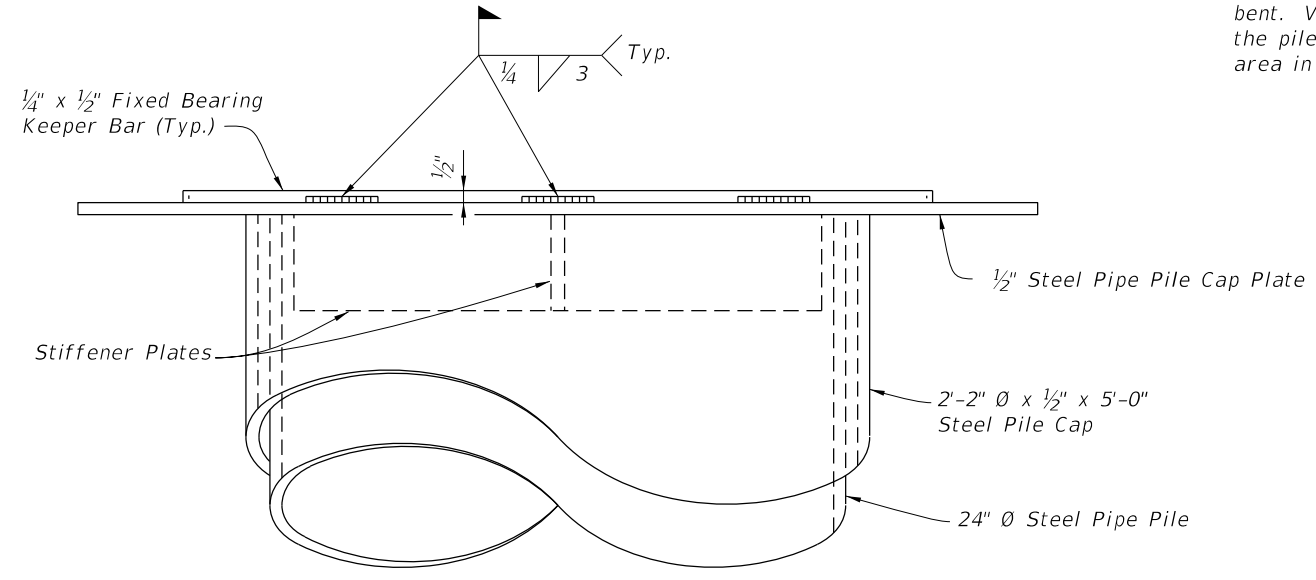
10/14/2019 2:59:20 PM

LAST REVISION 07/01/15	REVISION	DESCRIPTION:		FY 2020-21 STANDARD PLANS	TEMPORARY DETOUR BRIDGE DETAILS STEEL PIPE PILE FOUNDATIONS	INDEX 102-230	SHEET 1 of 3
---------------------------	----------	--------------	--	------------------------------	--	------------------	-----------------

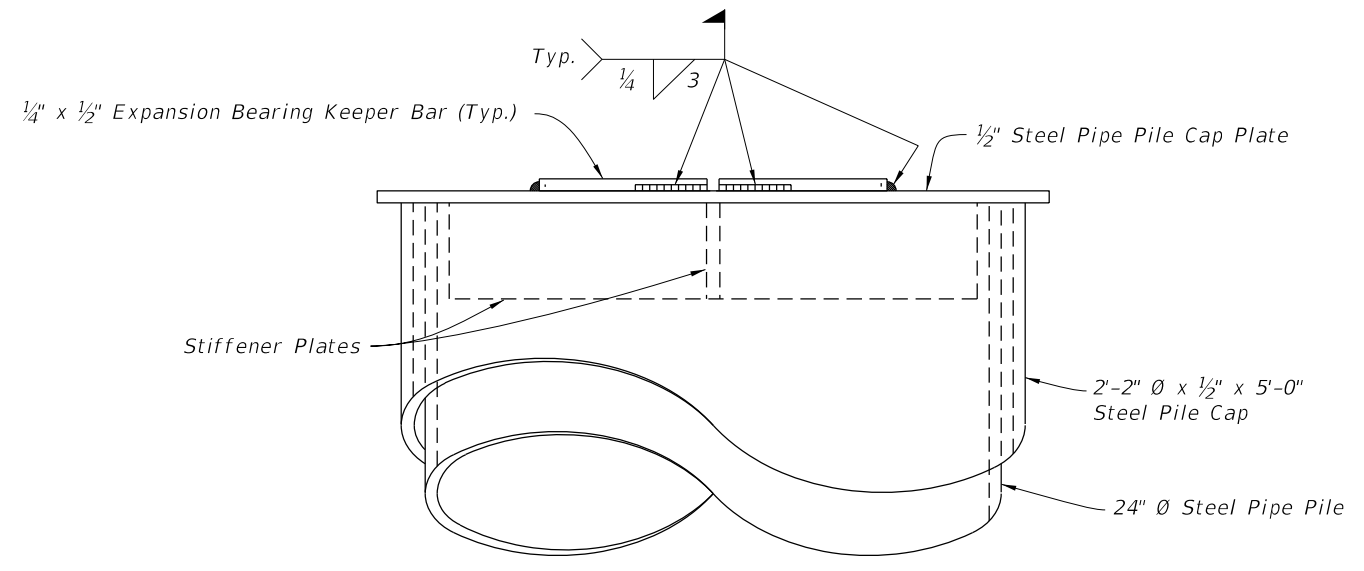




PARTIAL PLAN VIEW

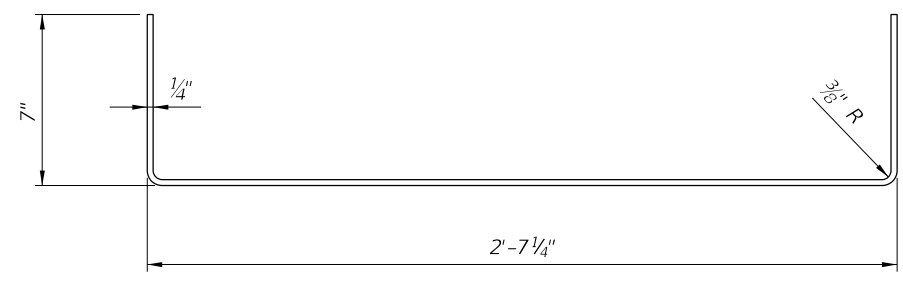


PARTIAL ELEVATION VIEW



END VIEW

Note:  
Use Shim Plates as required to provide equal bearing seat elevations across the bent. Vary thickness of Shim Plate across the pile cap plate to provide a level bearing area in the transverse direction.



EXPANSION BEARING KEEPER BAR DETAIL

ABUTMENT AND INTERMEDIATE EXPANSION BEARING DETAILS

10/14/2019 2:59:22 PM

LAST REVISION 01/01/16	DESCRIPTION:	FDOT FY 2020-21 STANDARD PLANS	TEMPORARY DETOUR BRIDGE DETAILS STEEL PIPE PILE FOUNDATIONS	INDEX 102-230	SHEET 3 of 3
---------------------------	--------------	--------------------------------------	--	------------------	-----------------