

FIXED BEARING KEEPER BAR DETAIL

EXPANSION BEARING KEEPER BAR DETAIL

FIXED BEARING DETAILS

EXPANSION BEARING DETAILS

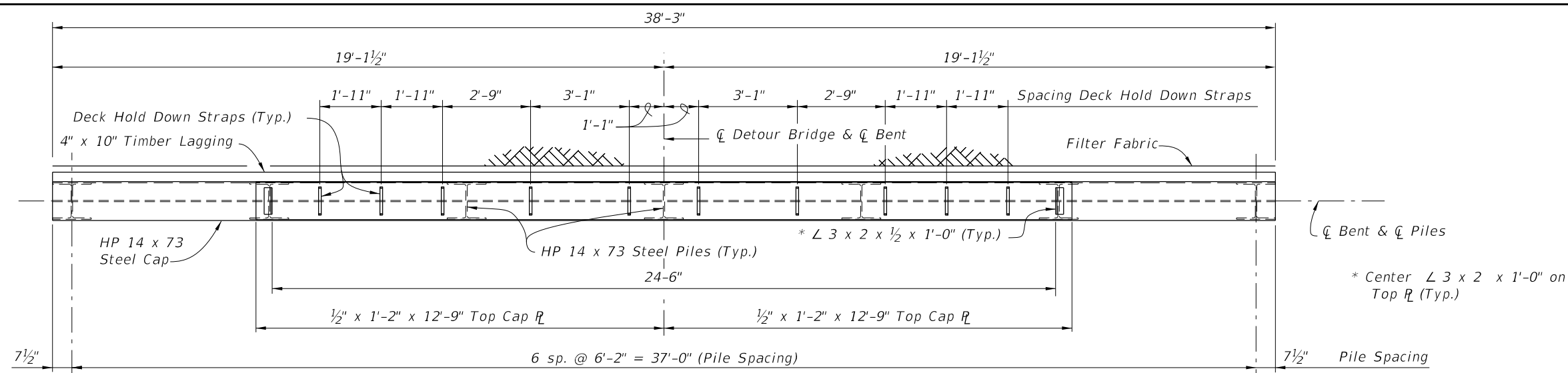
10/14/2019 2:58:56 PM

LAST REVISION 01/01/16	REVISION	DESCRIPTION:
---------------------------	----------	--------------

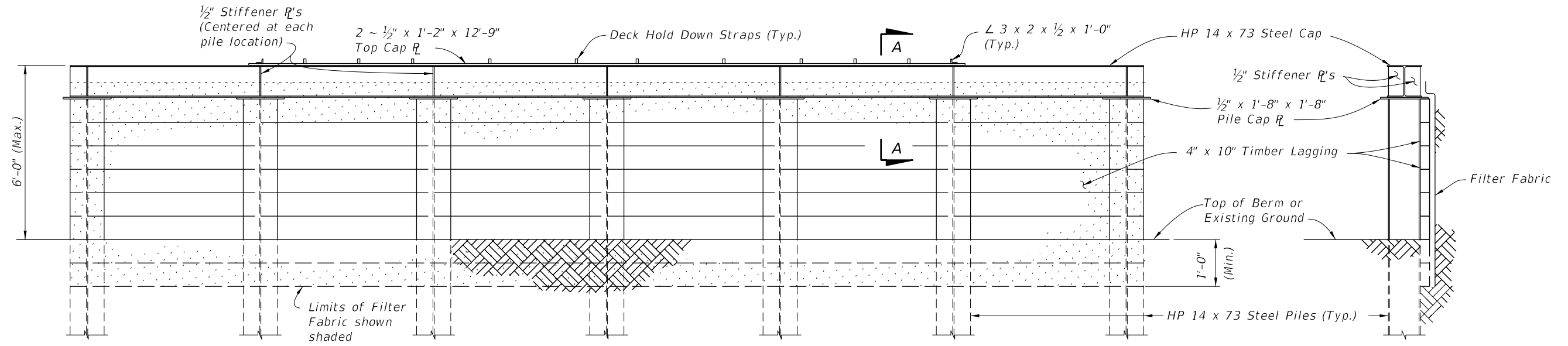


TEMPORARY DETOUR BRIDGE DETAILS
STEEL H PILE FOUNDATIONS

INDEX 102-220	SHEET 1 of 2
------------------	-----------------

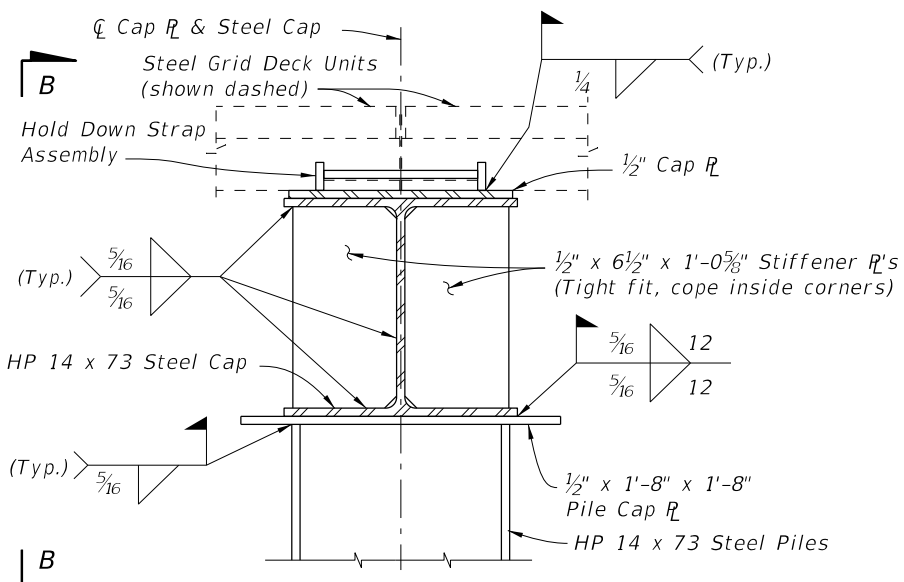


PLAN VIEW

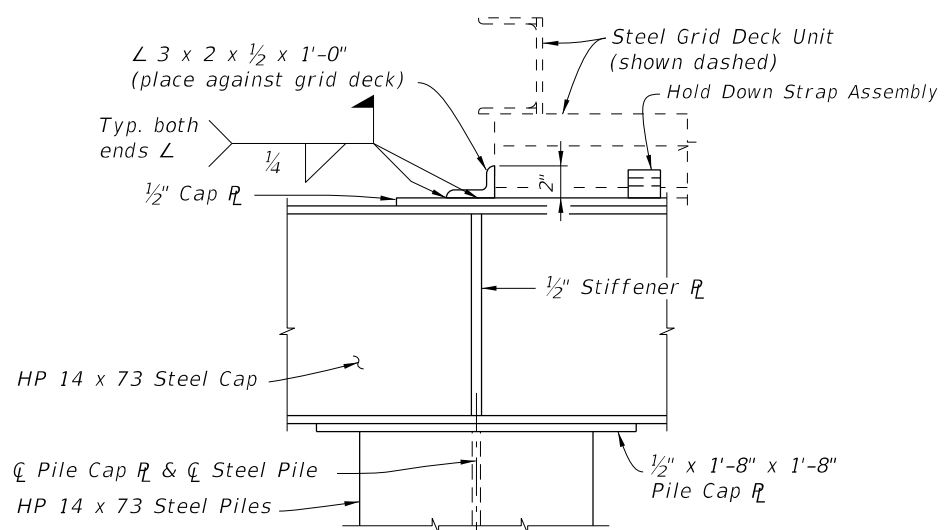


ELEVATION VIEW

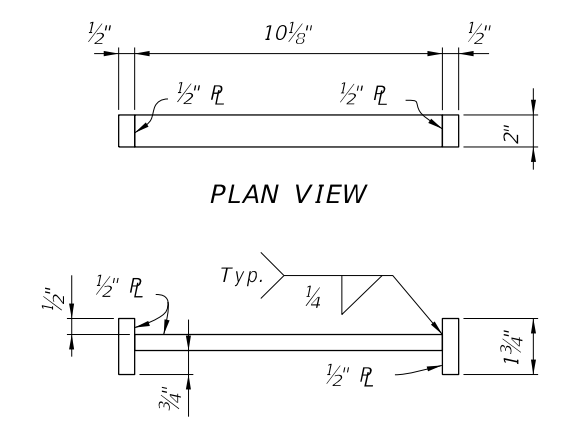
END VIEW



SECTION A-A
(LAGGING NOT SHOWN FOR CLARITY)



VIEW B-B



PLAN VIEW

ELEVATION VIEW
HOLD DOWN STRAP ASSEMBLY DETAIL

BACKWALL BENT DETAILS

10/14/2019 2:58:57 PM

LAST REVISION 07/01/06	REVISION	DESCRIPTION:		FY 2020-21 STANDARD PLANS	TEMPORARY DETOUR BRIDGE DETAILS STEEL H PILE FOUNDATIONS	INDEX 102-220	SHEET 2 of 2
---------------------------	----------	--------------	--	------------------------------	---	------------------	-----------------