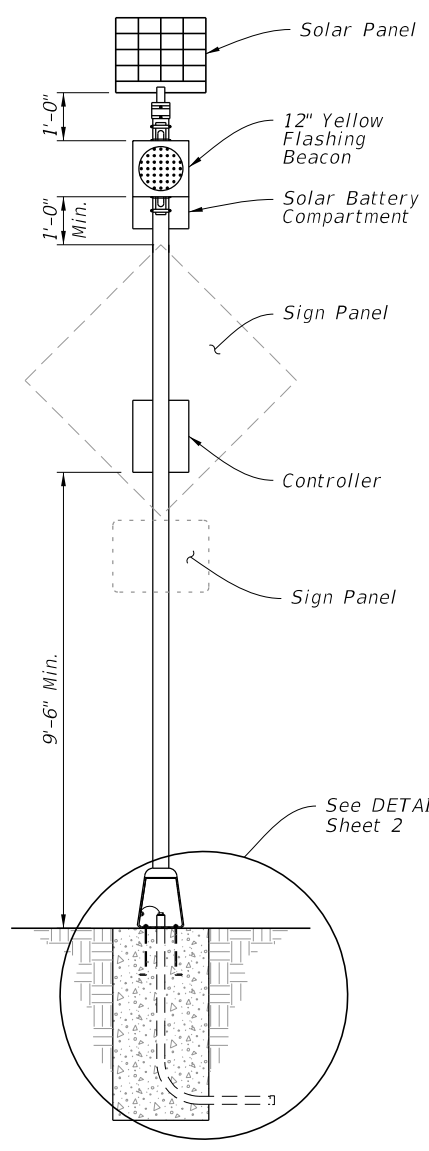


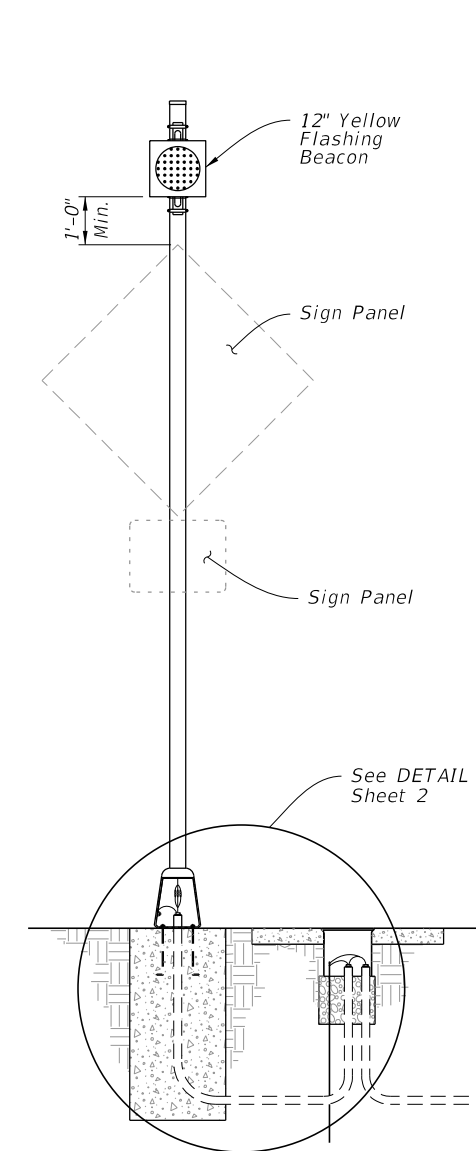
FRONT VIEW

**POWER CONFIGURATION 'A'**  
**CONVENTIONALLY-POWERED**  
 (Type A1 Shown)



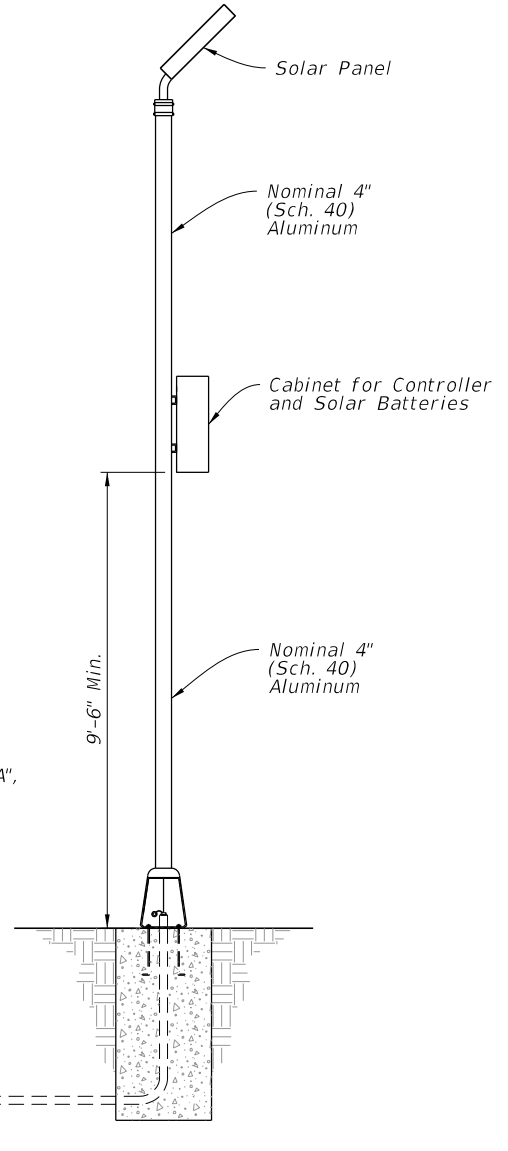
FRONT VIEW

WITHOUT AUXILIARY POLE



SIGN ASSEMBLY FRONT VIEW

WITH AUXILIARY POLE



AUXILIARY POLE

**POWER CONFIGURATION 'B'**  
**SOLAR-POWERED**  
 (Type B1 Shown)

**GENERAL NOTES:**

1. Install sign assemblies based on Alpha-Numeric Type designation shown in the Plans (e.g., Type A1). Assembly Type is based on Power Configuration 'Alpha' Identification shown above and Numerical Identification shown on Sheet 3 thru 8.
2. Install sign panel and wind beam in accordance with Index 700-010 and Specification 700.
3. Engage all threads on the transformer base and post unless the aluminum post is fully seated into base.
4. Meet the requirements of Specification 646 for aluminum poles and transformer bases.
5. Install a concrete slab around all roadside assemblies on slopes 6:1 or greater. The minimum slab dimension is 4'-0" by 5'-0".
6. When wire entry holes are drilled in the sign c

Clarified Note by adding 6" thickness to the dimensions.

**POWER CONFIGURATION 'B' NOTES:**

1. Install a separate pole for mounting the solar panel, controller and batteries for all roadside assemblies with solar panels, controllers and batteries weighing more than 170 lbs.
2. Install the auxiliary pole as close to the right of way boundary as possible.
3. Install the auxiliary pole so that the height is the same as the column for the roadside assembly.
4. Orient solar panel to face South for optimal exposure to sunlight.
5. The controller and the solar batteries may be located in the same compartment.

**TABLE OF CONTENTS:**

Sheet	Description
1	General Notes and Contents
2	Conduit, Wiring, and Foundation Details
3	Roadside Sign Assembly-1
4	Roadside Sign Assembly-2
5	Roadside Sign Assembly-3
6	Roadside Sign Assembly-4
7	Roadside Sign Assembly-5
8	Roadside Sign Assembly-6
9	Roadside Sign Assembly-7
10	Overhead Sign Assembly

10/14/2019 2:45:18 PM