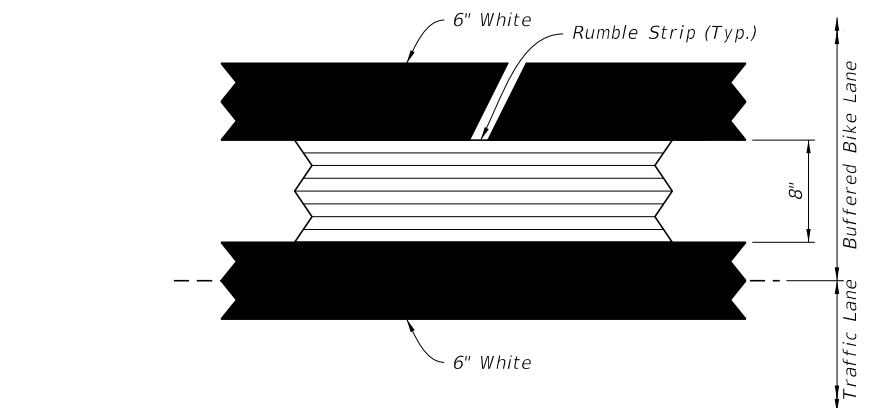
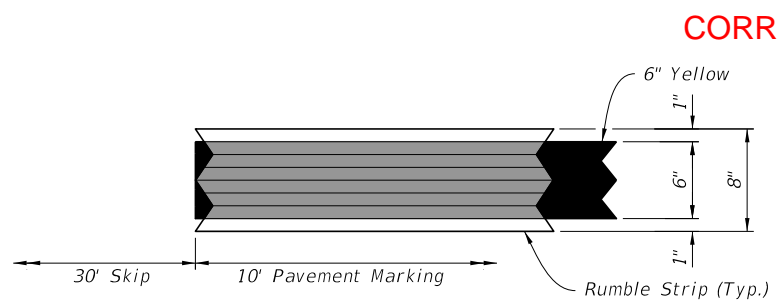


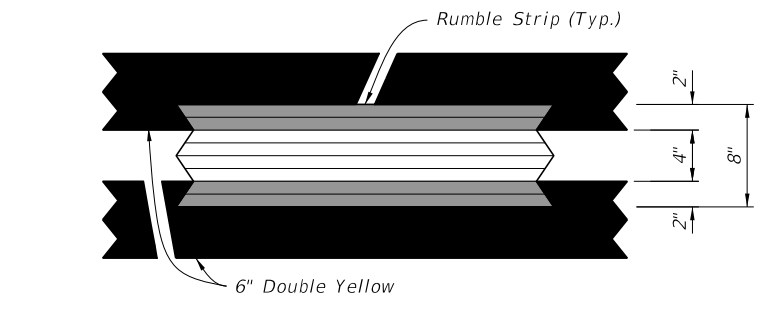
TYPE "B2"  
(Plan View)



TYPE "C2"  
(Plan View)



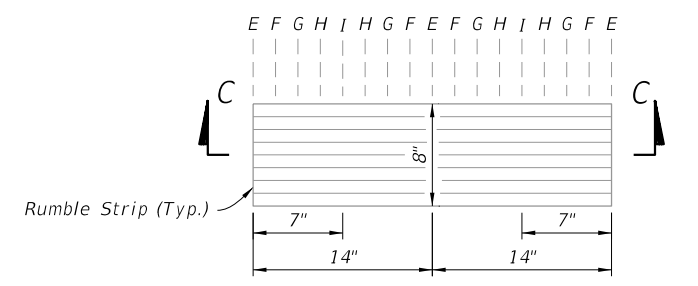
TYPE "D2" - PASSING  
(Plan View)



TYPE "D2" - NO PASSING  
(Plan View)

CORRECTED: 5/32

RUMBLE STRIP DEPTH TABLE	
LOCATION	DEPTH FROM SURFACE (IN.)
E	0
F	1/16
G	15/32
H	7/32
I	5/16

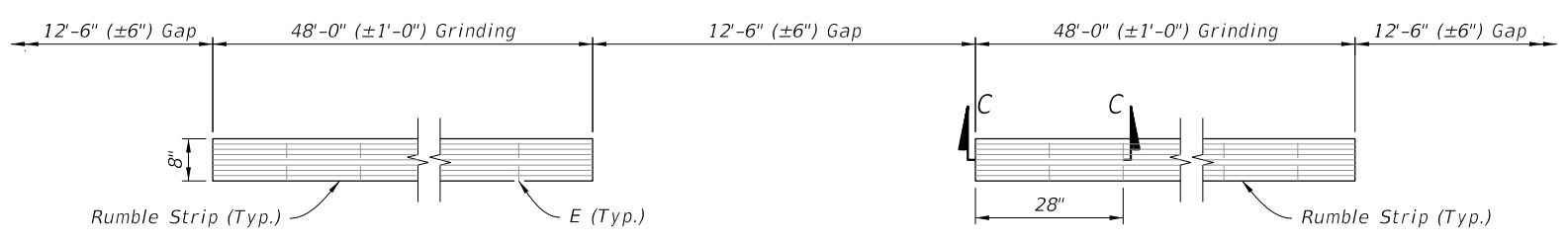


PLAN VIEW

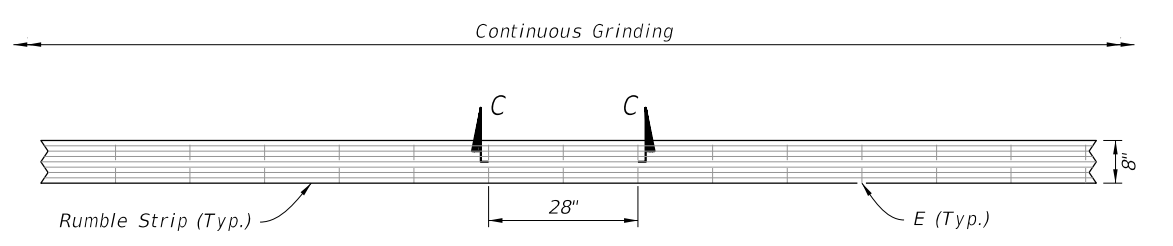
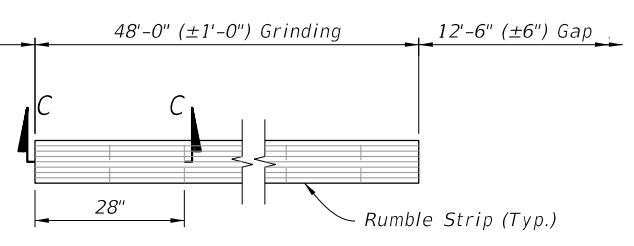
EDGE LINE RUMBLE STRIP PLACEMENT TYPES

CENTERLINE RUMBLE STRIP PLACEMENT TYPES

RUMBLE STRIP DETAILS



SKIP ARRAY  
(Outside Shoulder Edge Lines)



CONTINUOUS ARRAY  
(Centerlines and Inside Shoulder Edge Lines)

RUMBLE STRIP ARRAY DETAILS

NOTE:  
See the Plans for the Placement Type to be used.

SINUSOIDAL FOR ARTERIALS AND COLLECTORS

10/14/2019 11:21:54 AM

LAST REVISION 04/04/18	DESCRIPTION:		FY 2020-21 STANDARD PLANS	GROUND-IN RUMBLE STRIPS	INDEX 546-010	SHEET 3 of 3