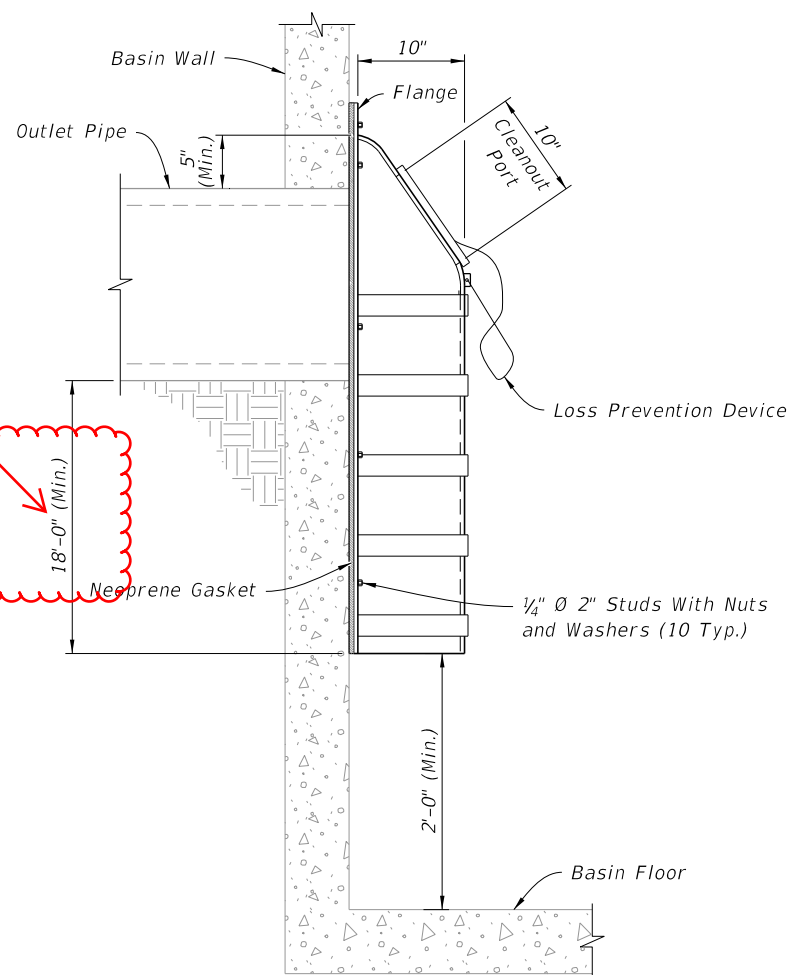


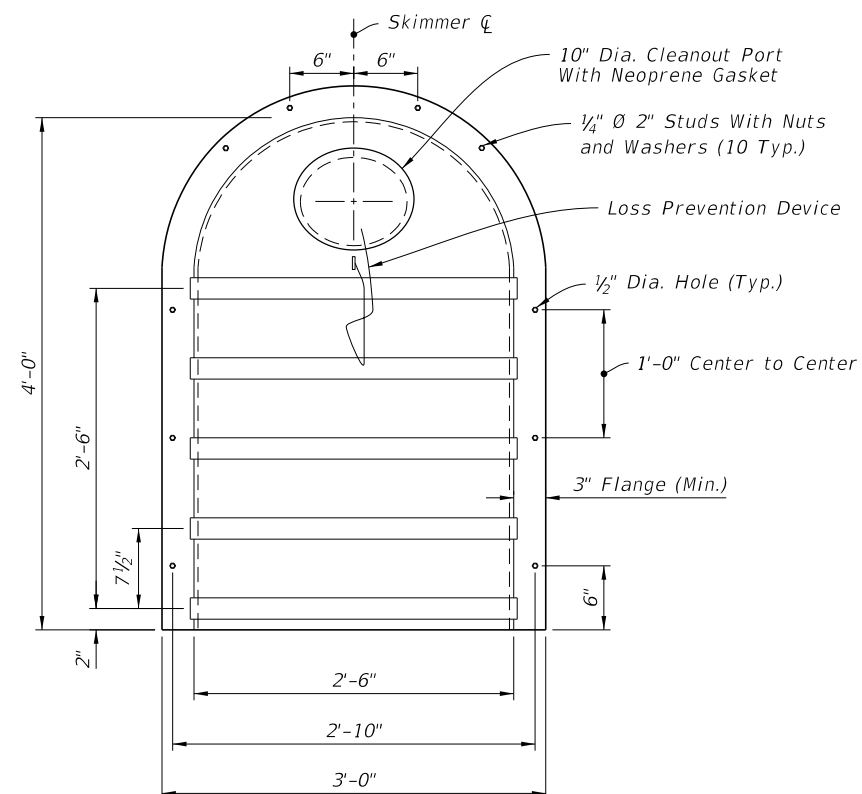
PLAN

NOTE:

1. Install a gasket for the cleanout with either a threaded screw-in lid or a lid secured by four stainless steel quick-release latches.

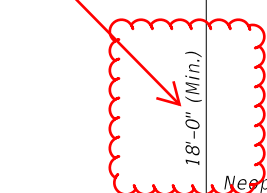


SIDE ELEVATION



FRONT ELEVATION

CORRECTED DIMENSION



TYPE II DETAILS

TYPE II SKIMMERS

10/14/2019 10:07:41 AM

LAST REVISION 11/01/19	DESCRIPTION:
---------------------------	--------------



FY 2020-21
STANDARD PLANS

SKIMMERS FOR FRENCH DRAIN OUTLETS

INDEX
443-002

SHEET
3 of 3