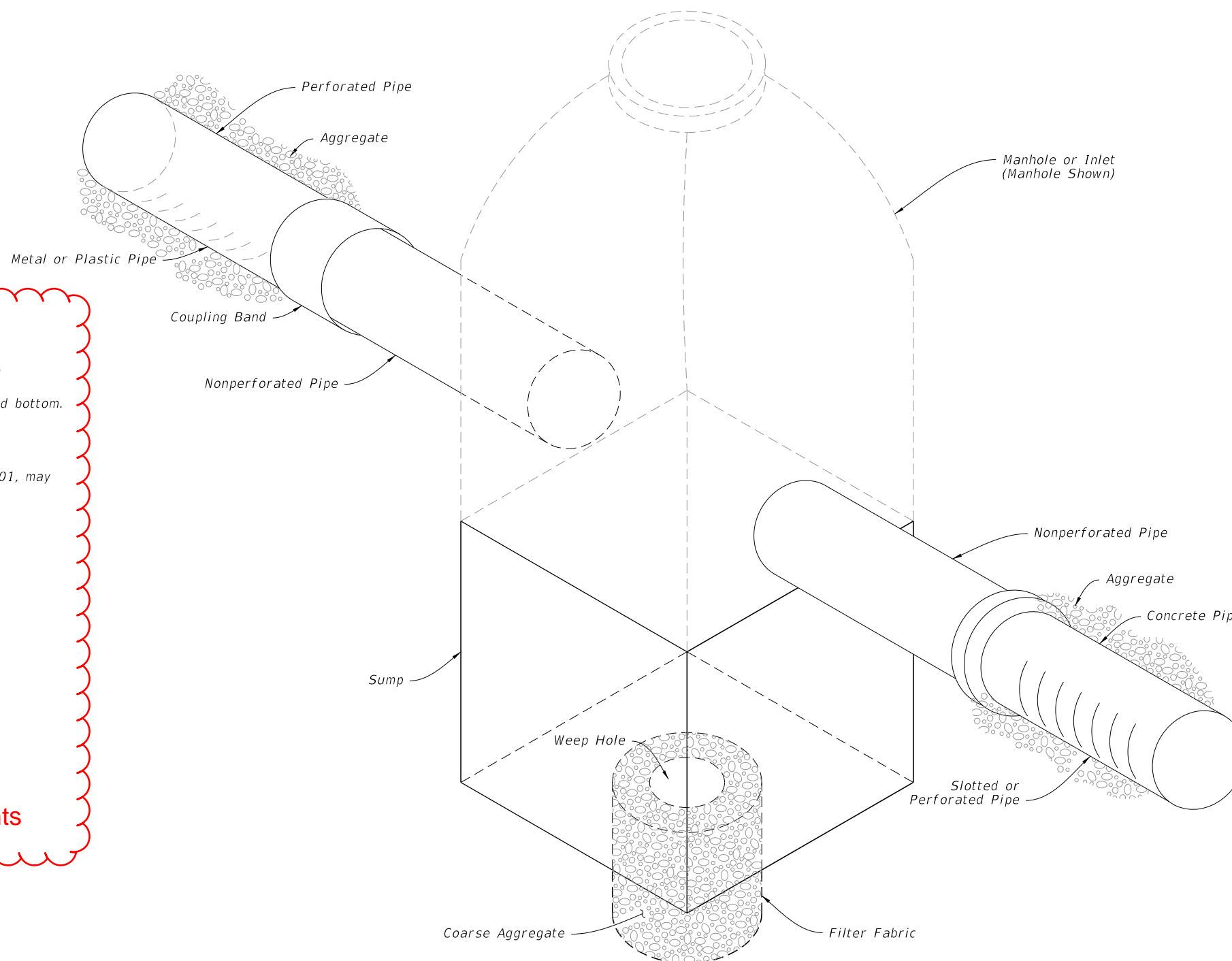


**GENERAL NOTES:**

1. Install light duty cast iron cover and frame in accordance with Specifications 962.
2. Use Class I concrete. Use No. 3 bars (Grade 60) on 8" centers both ways, sides and bottom.
3. Furnish covers with pick holes. Do not use fitted lifts or handles.
4. Manhole Type P Alternate A, Index 425-010, Type I Frame and Cover, Index 425-001, may be used in lieu of the box detailed in this Index.

TABLE OF CONTENTS:	
Sheet	Description
1	General Notes and Contents
2	Typical Inspection Box Installation
3	Typical Urban, Slope, and Top Adjustment Installations

Corrected the General Notes and Table of Contents



FRENCH DRAIN ASSEMBLY

10/14/2019 10:07:12 AM