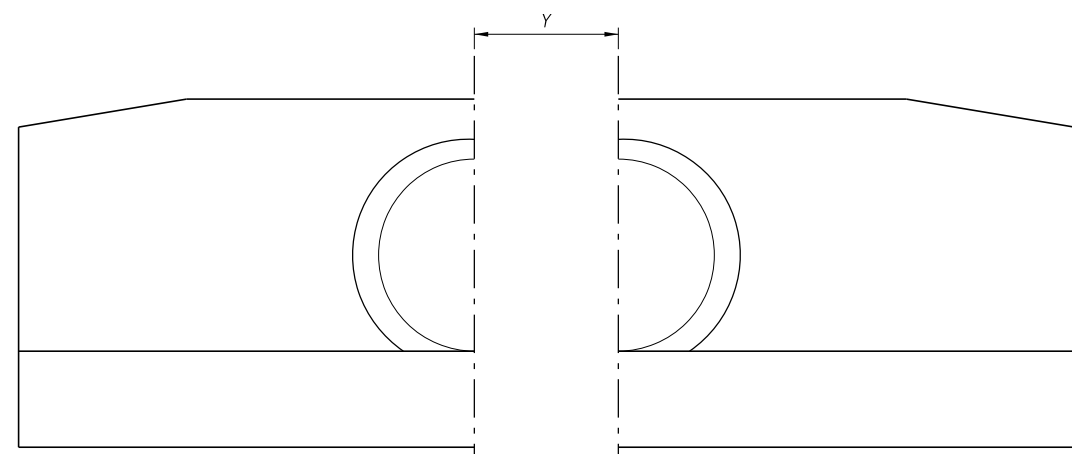
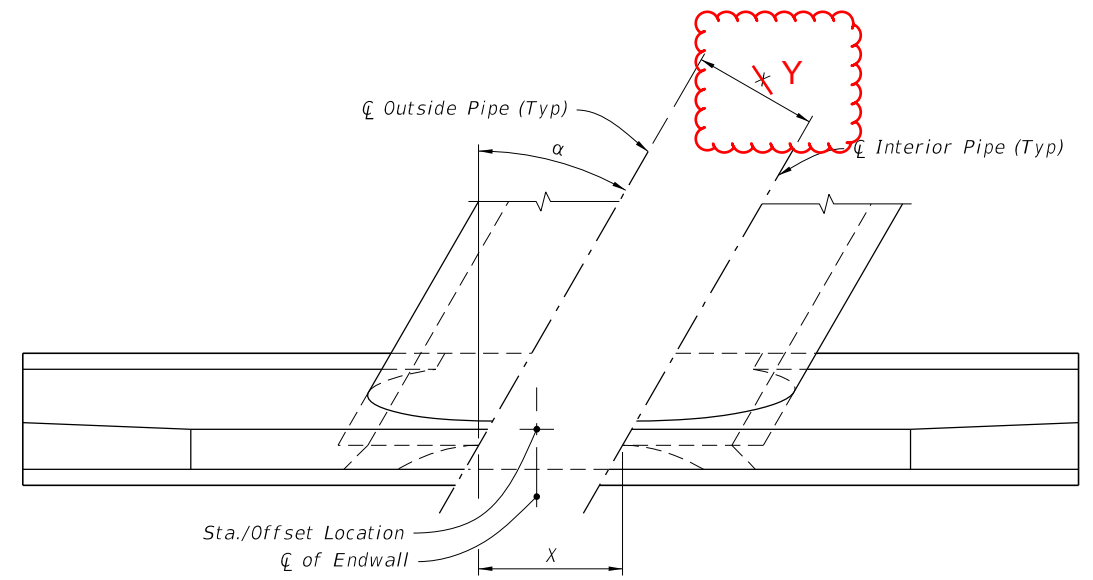


PLAN

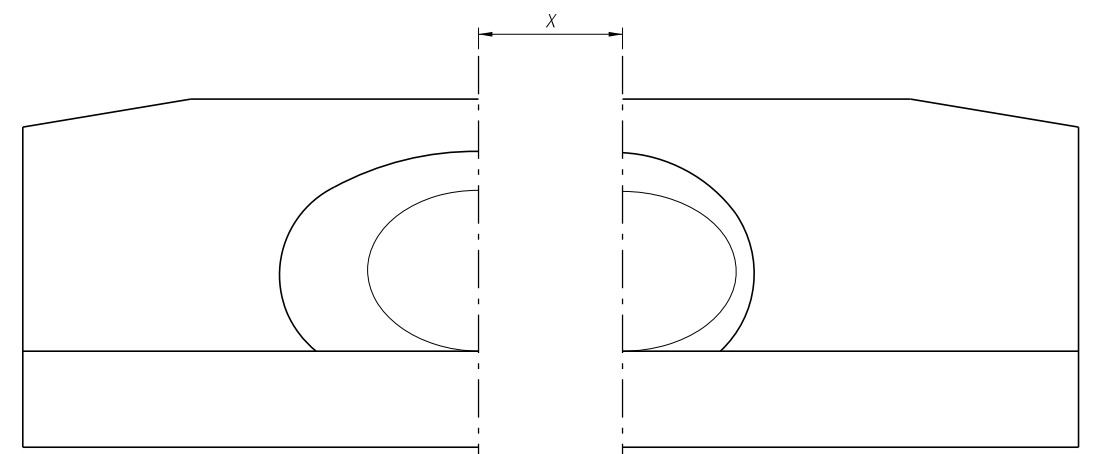


FRONT ELEVATION

NORMAL PIPE



PLAN



FRONT ELEVATION

SKewed PIPE


(Multiple Pipe Shown, Single Pipe Similar)

LEGEND:

- $\alpha$  Pipe Skew Angle
- $Y$  Center to Center between pipes
- $X$  Center to Center along front of Headwall

10/14/2019 10:01:27 AM

SPACING FOR MULTIPLE PIPES

LAST REVISION 11/01/19	DESCRIPTION:	 FY 2020-21 STANDARD PLANS	STRAIGHT CONCRETE ENDWALLS SINGLE AND MULTIPLE PIPE	INDEX 430-030	SHEET 4 of 4
---------------------------	--------------	---	--	------------------	-----------------