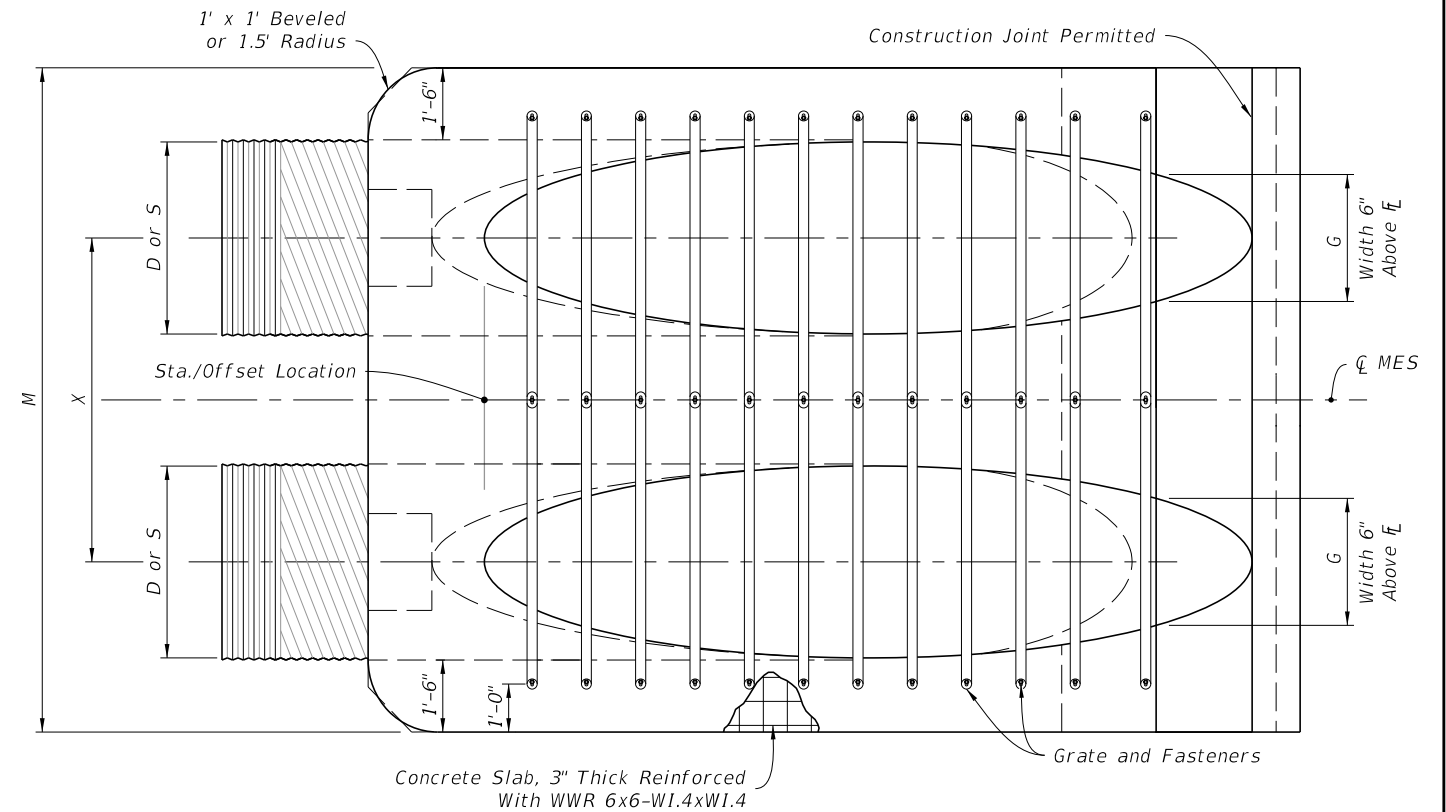
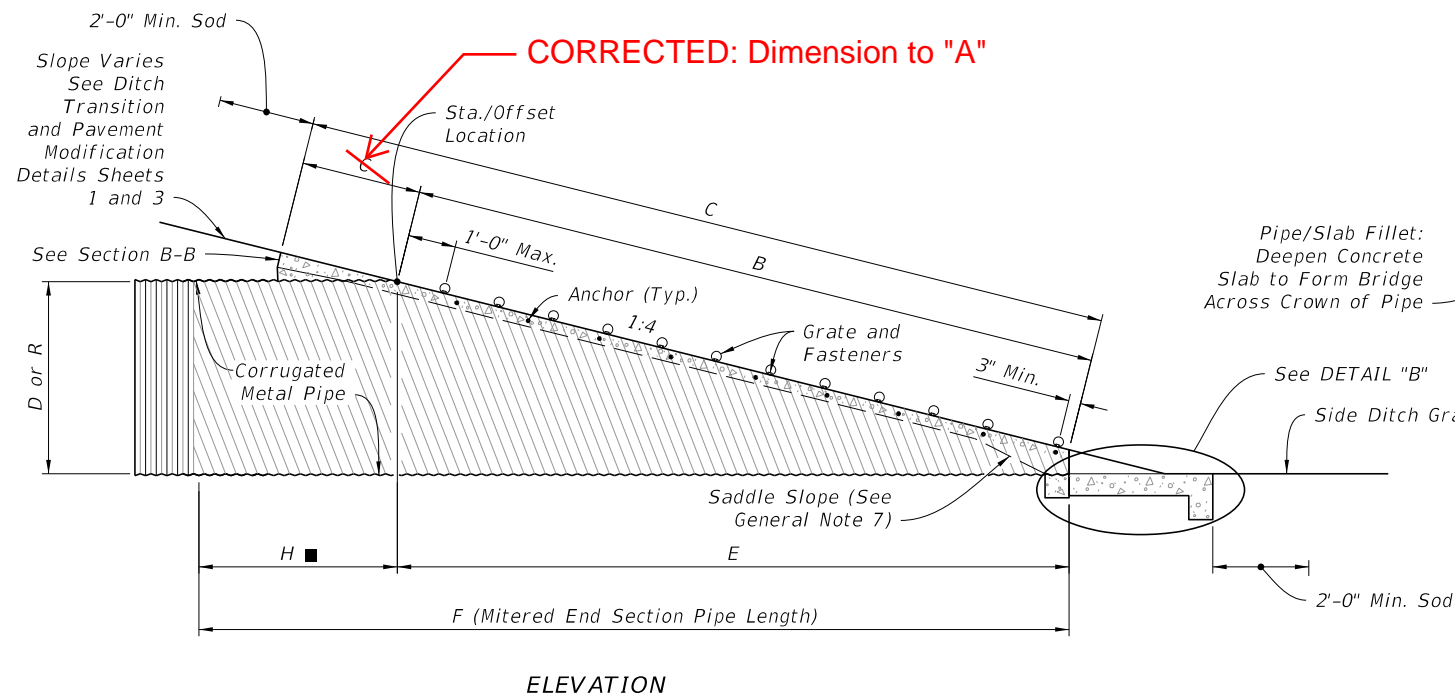


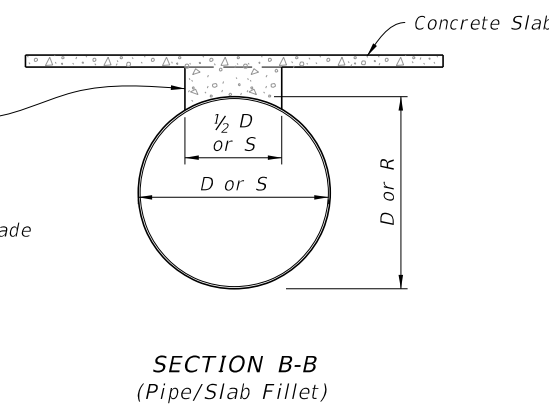
PLAN - SINGLE PIPE



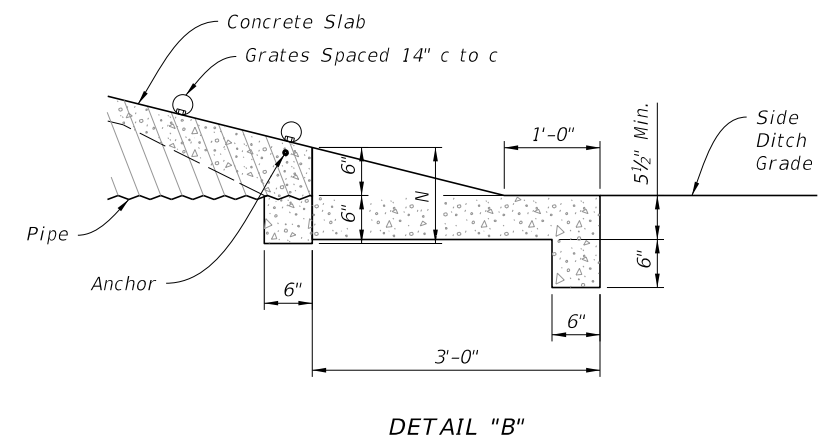
PLAN - MULTIPLE PIPE



ELEVATION



SECTION B-B  
(Pipe/Slab Fillet)



DETAIL "B"

ROUND CORRUGATED PIPE  
(Arched Pipe Similar)

SINGLE AND MULTIPLE CORRUGATED METAL PIPE

10:00:15 AM  
10/14/2019

LAST REVISION	DESCRIPTION:
11/01/19	


**FY 2020-21  
STANDARD PLANS**

**SIDE DRAIN MITERED END SECTION**

INDEX	SHEET
430-022	4 of 7