

Figure 1 Curved Bridge (Single Continuous Unit) with Skewed Joints

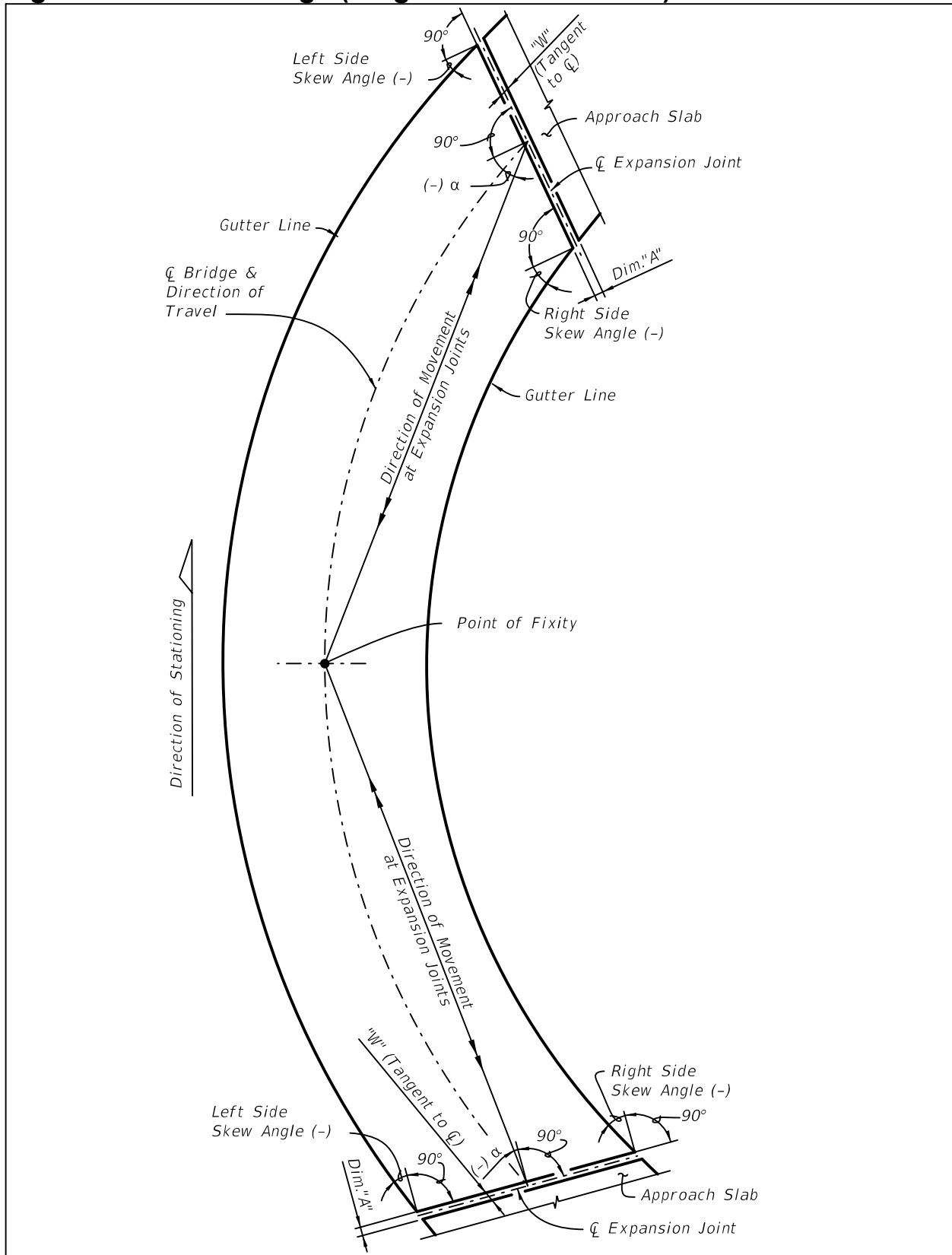


Figure 2 Curved Bridge (Single Continuous Unit) with Radial Joints

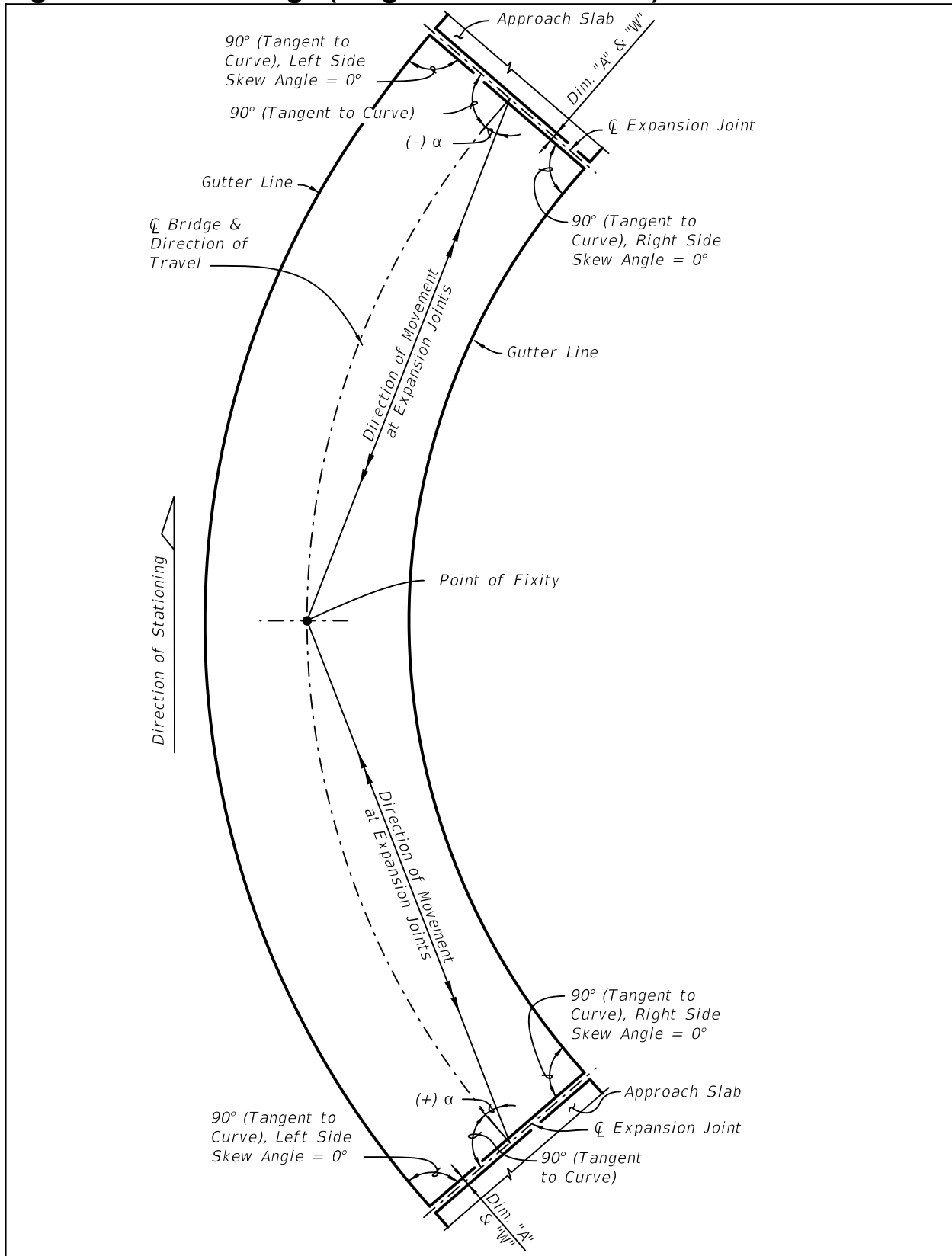


Figure 3 Curved Bridge (Multiple Continuous Units) with Radial Joints

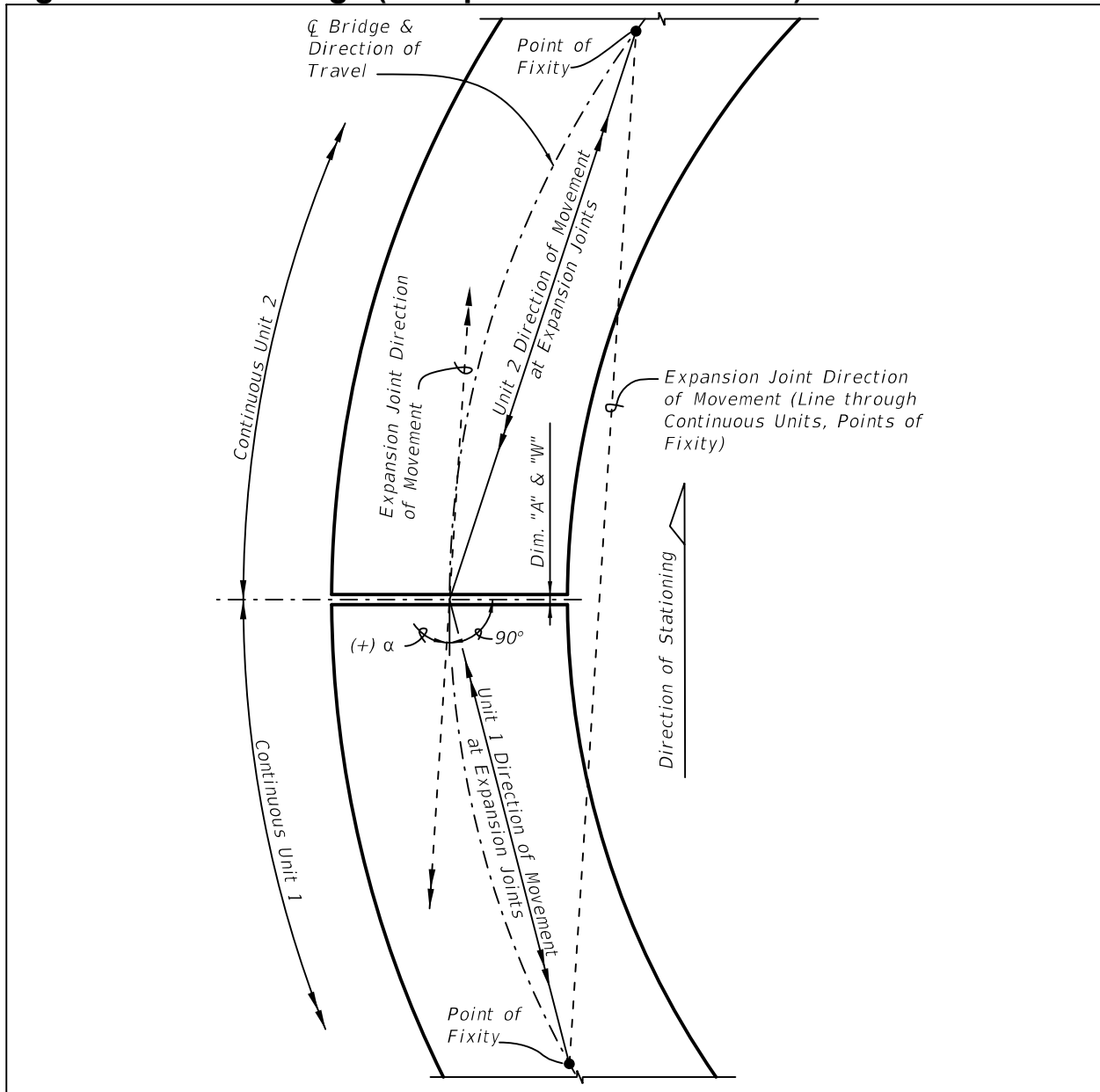
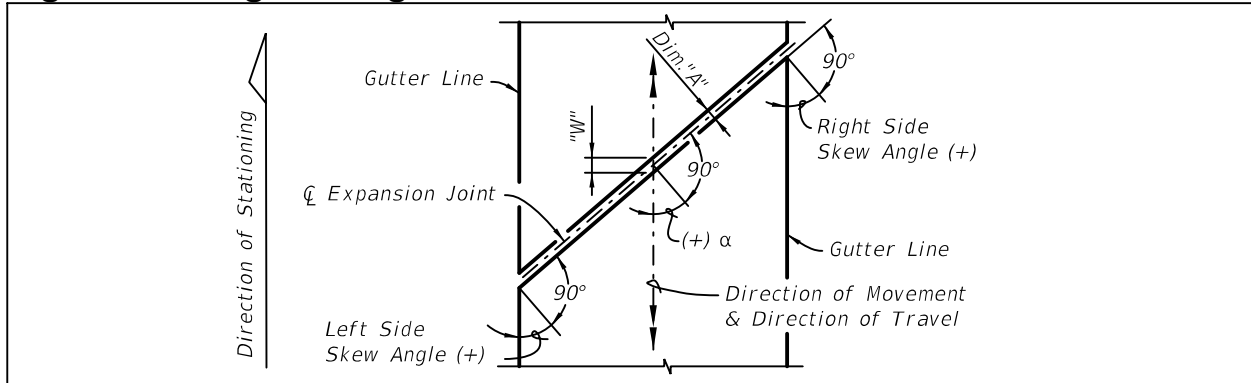


Figure 4 Straight Bridge with Skewed Joints



Payment

Item number	Item Description	Unit Measure
458-1-12	Bridge Deck Expansion Joint, New Construction - F&I; Strip Seal	LF