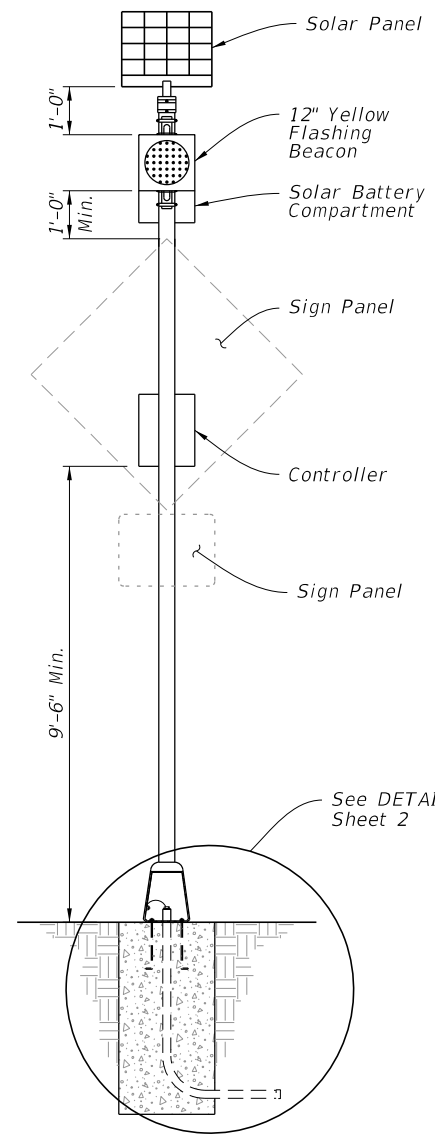


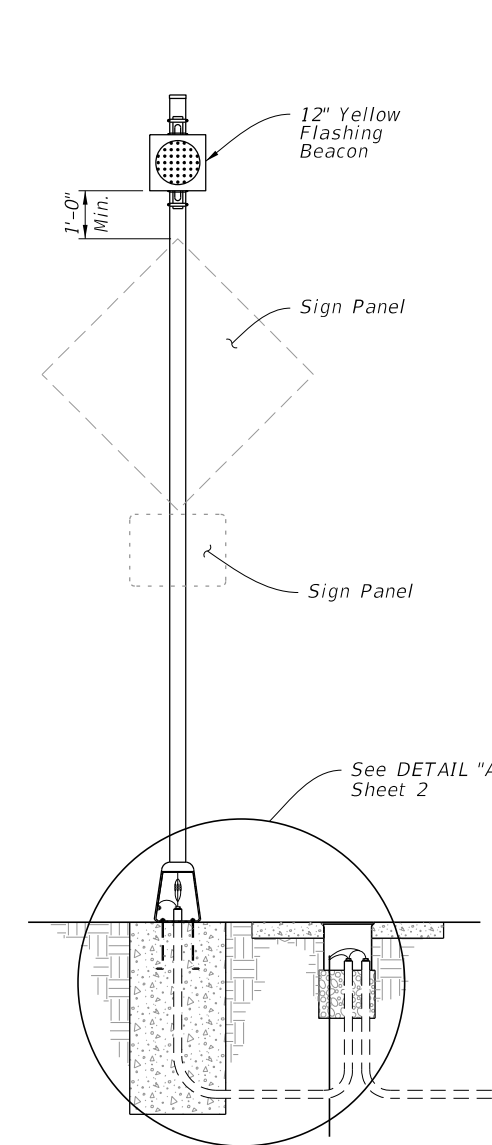
FRONT VIEW

POWER CONFIGURATION 'A'
CONVENTIONALLY-POWERED
 (Type A1 Shown)



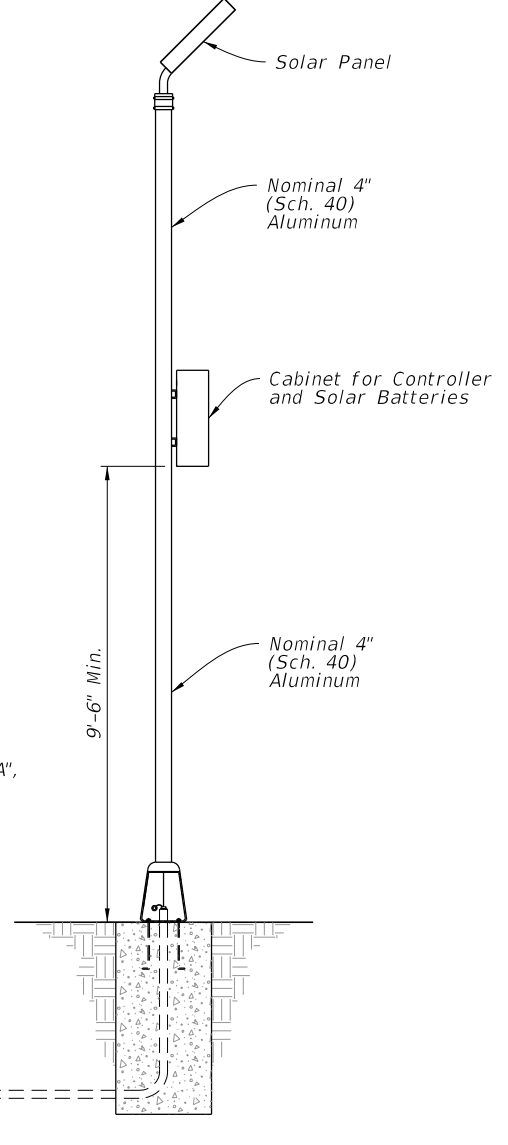
FRONT VIEW

WITHOUT AUXILIARY POLE



SIGN ASSEMBLY FRONT VIEW

WITH AUXILIARY POLE



AUXILIARY POLE

POWER CONFIGURATION 'B'
SOLAR-POWERED
 (Type B1 Shown)

GENERAL NOTES:

1. Install sign assemblies based on Alpha-Numeric Type designation shown in the Plans (e.g., Type A1). Assembly Type is based on Power Configuration 'Alpha' Identification shown above and Numerical Identification shown on Sheet 3 thru 8.
2. Install sign panel and wind beam in accordance with Index 700-010 and Specification 700.
3. Engage all threads on the transformer base and post unless the aluminum post is fully seated into base.
4. Meet the requirements of Specification 646 for aluminum poles and transformer bases.
5. Install a concrete slab around all roadside assemblies on slopes 6:1 or greater. The minimum slab dimension is 4'-0" by 5'-0".
6. When wire entry holes are drilled in the sign column, use a bushing or rubber grommet to protect conductors.

POWER CONFIGURATION 'B' NOTES:

1. Install a separate pole for mounting the solar panel, controller and batteries for all roadside assemblies with solar panels, controllers and batteries weighing more than 170 lbs.
2. Install the auxiliary pole as close to the right of way boundary as possible.
3. Install the auxiliary pole so that the height is the same as the column for the roadside assembly.
4. Orient solar panel to face South for optimal exposure to sunlight.
5. The controller and the solar batteries may be located in the same compartment.

TABLE OF CONTENTS:

Sheet	Description
1	General Notes and Contents
2	Conduit, Wiring, and Foundation Details
3	Roadside Sign Assembly-1
4	Roadside Sign Assembly-2
5	Roadside Sign Assembly-3
6	Roadside Sign Assembly-4
7	Roadside Sign Assembly-5
8	Roadside Sign Assembly-6
9	Roadside Sign Assembly-7
10	Overhead Sign Assembly

7/1/2019 8:16:18 AM

LAST REVISION 07/01/19	DESCRIPTION: Added Roadside Sign Assembly-7
---------------------------	--

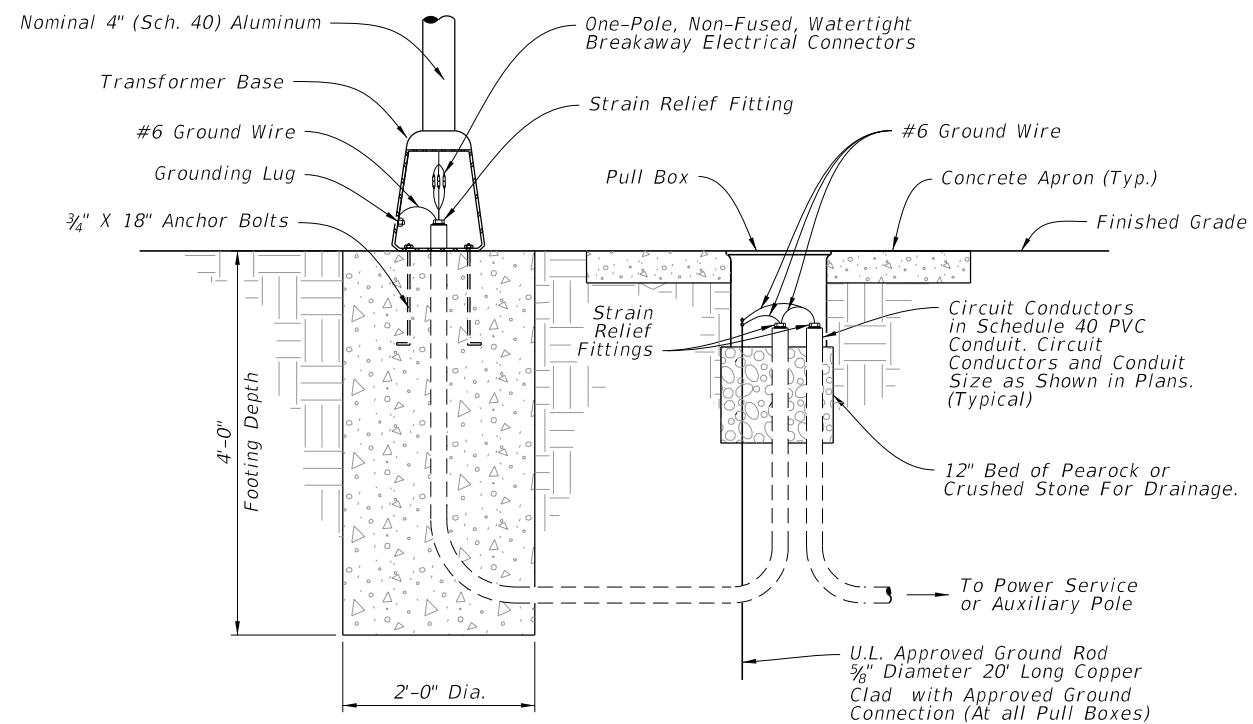


FY 2019-20
STANDARD PLANS

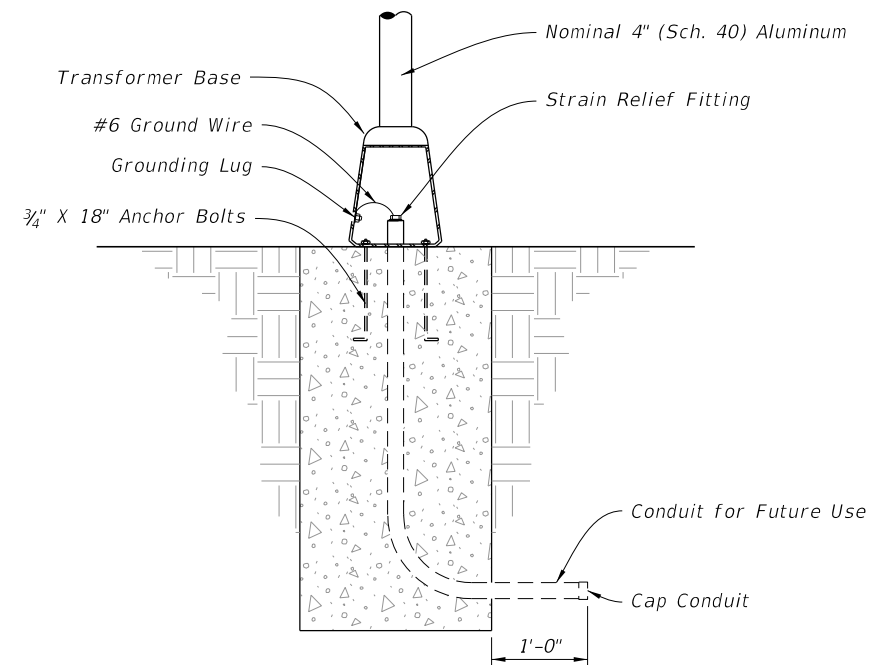
ENHANCED HIGHWAY SIGNING ASSEMBLIES

INDEX
700-120

SHEET
1 of 10



DETAIL "A"



DETAIL "B"

CONDUIT, WIRING, AND FOUNDATION DETAILS

7/1/2019 8:16:20 AM

LAST REVISION 07/01/19	DESCRIPTION: Added Roadside Sign Assembly-7
---------------------------	--

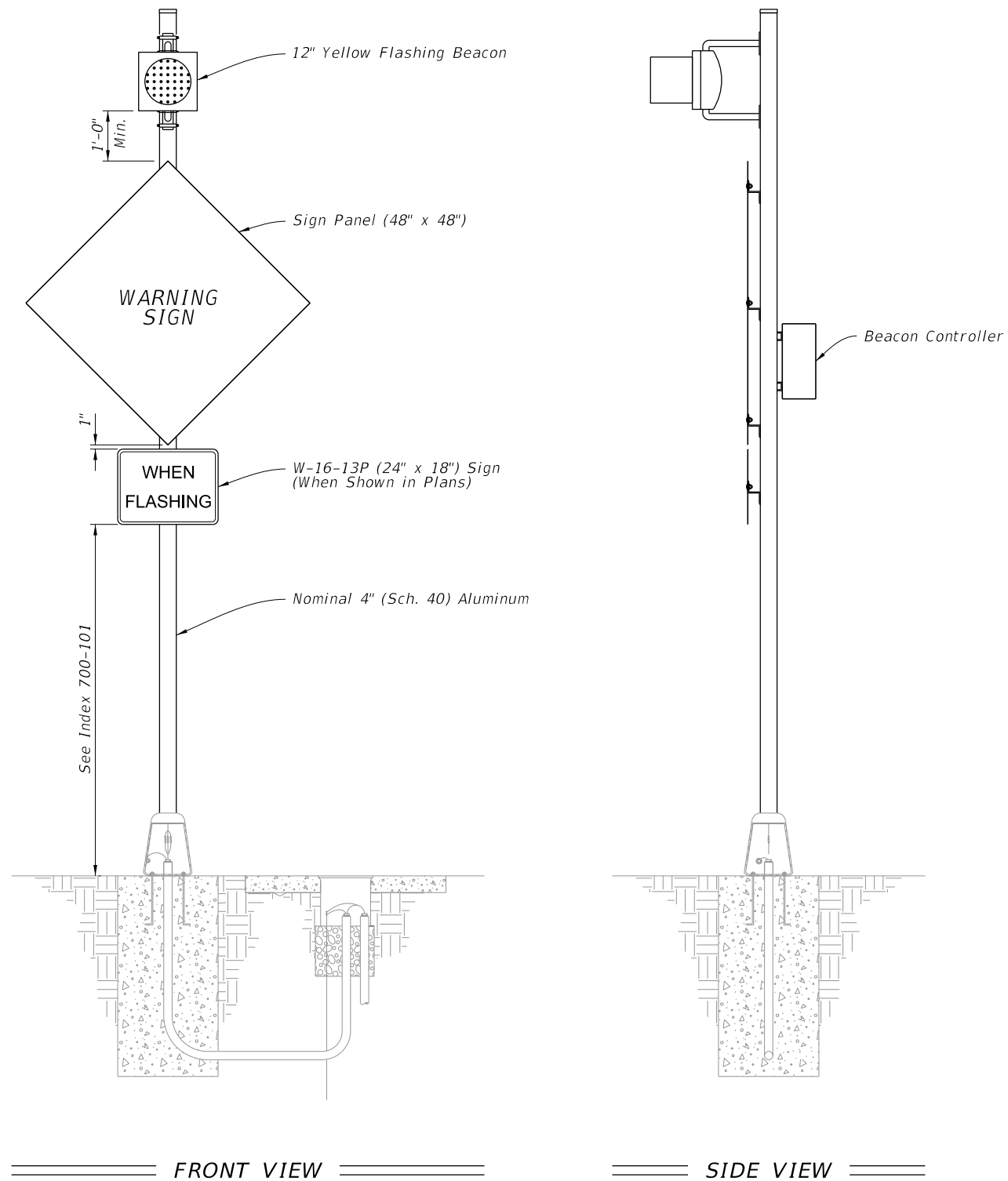


FY 2019-20
STANDARD PLANS

ENHANCED HIGHWAY SIGNING ASSEMBLIES

INDEX
700-120

SHEET
2 of 10



NOTE:
 Type A1 Assembly (conventionally-powered) is shown.
 Type B1 Assemblies (solar-powered) similar.

7/1/2019 8:16:21 AM

ROADSIDE SIGN ASSEMBLY-1

LAST REVISION 07/01/19	DESCRIPTION: Added Roadside Sign Assembly-7
---------------------------	--

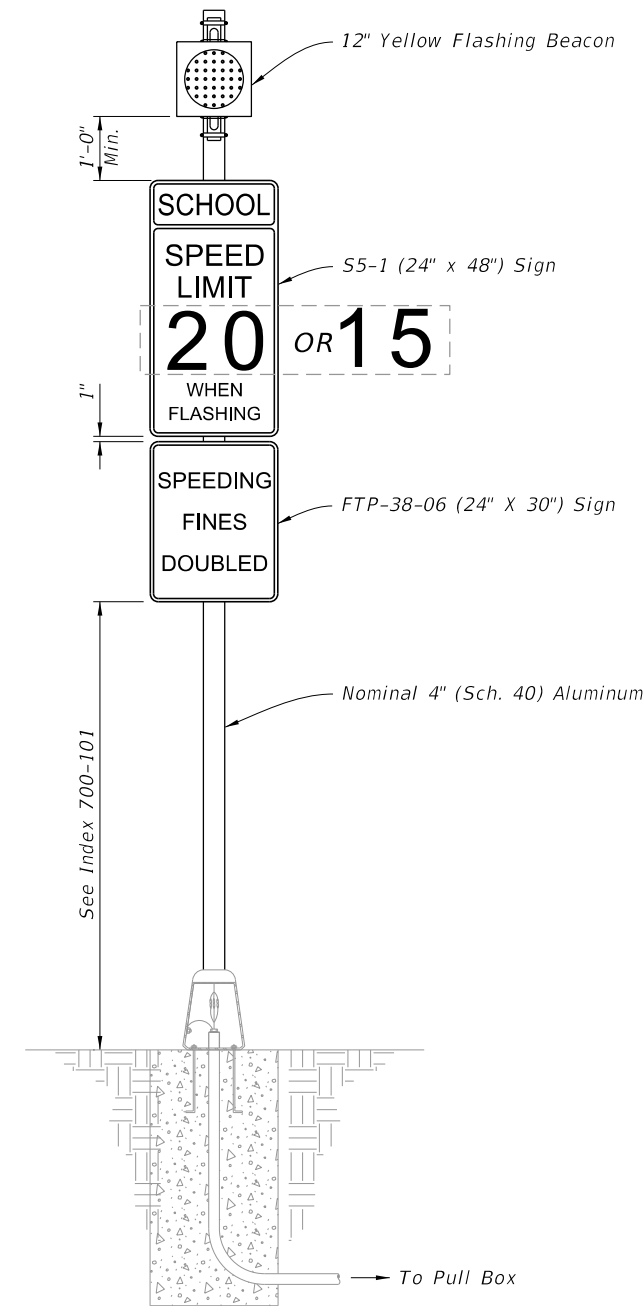


FY 2019-20
STANDARD PLANS

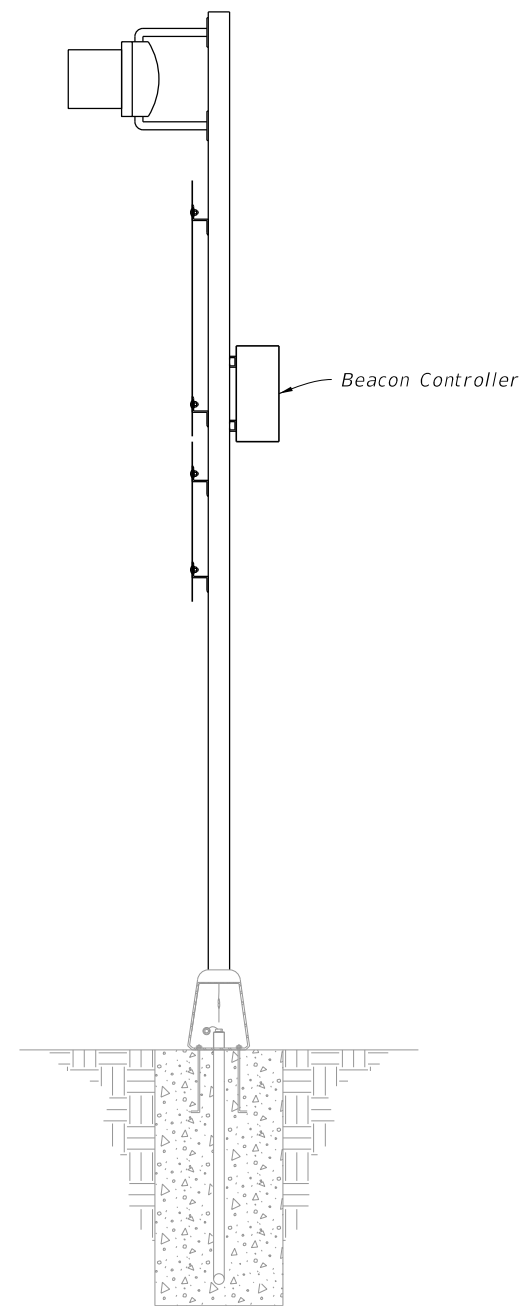
ENHANCED HIGHWAY SIGNING ASSEMBLIES

INDEX
700-120

SHEET
3 of 10



==== FRONT VIEW ====



==== SIDE VIEW ====

NOTE:

Type A2 Assembly (conventionally-powered) is shown.
Type B2 Assemblies (solar-powered) similar.

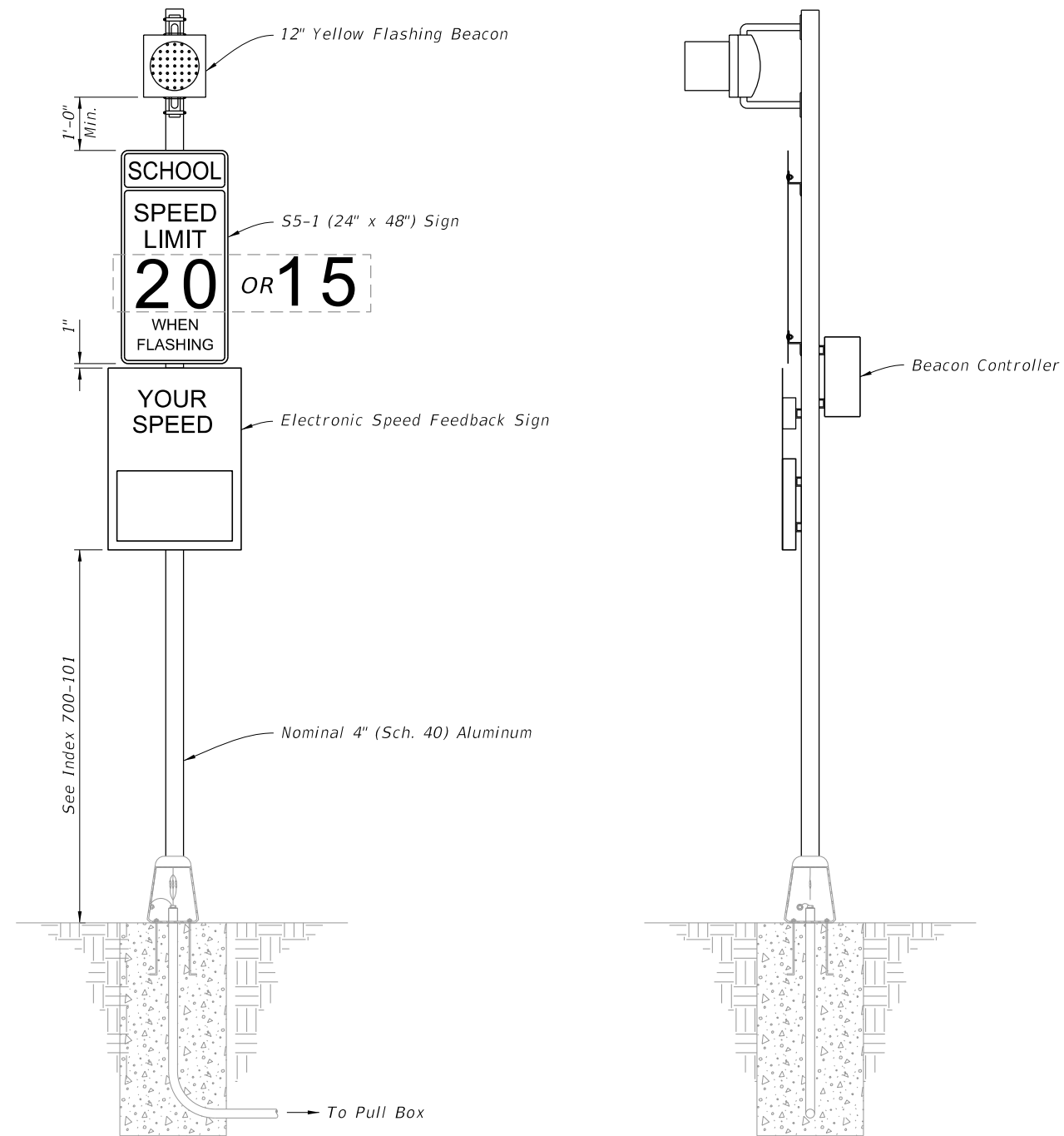
7/1/2019 8:16:23 AM

LAST REVISION 07/01/19	REVISION	DESCRIPTION: Added Roadside Sign Assembly-7
------------------------------	----------	--

**FY 2019-20
STANDARD PLANS**

ENHANCED HIGHWAY SIGNING ASSEMBLIES

INDEX 700-120	SHEET 4 of 10
-------------------------	-------------------------



FRONT VIEW

SIDE VIEW

NOTES:

1. Type A3 Assembly (conventionally-powered) is shown. Type B3 Assemblies (solar-powered) similar.
2. Use electronic speed feedback sign with 15" high numerals for posted speed of 45 mph or less, and 18" high numerals for posted speeds greater than 45 mph.

7/1/2019 8:16:24 AM

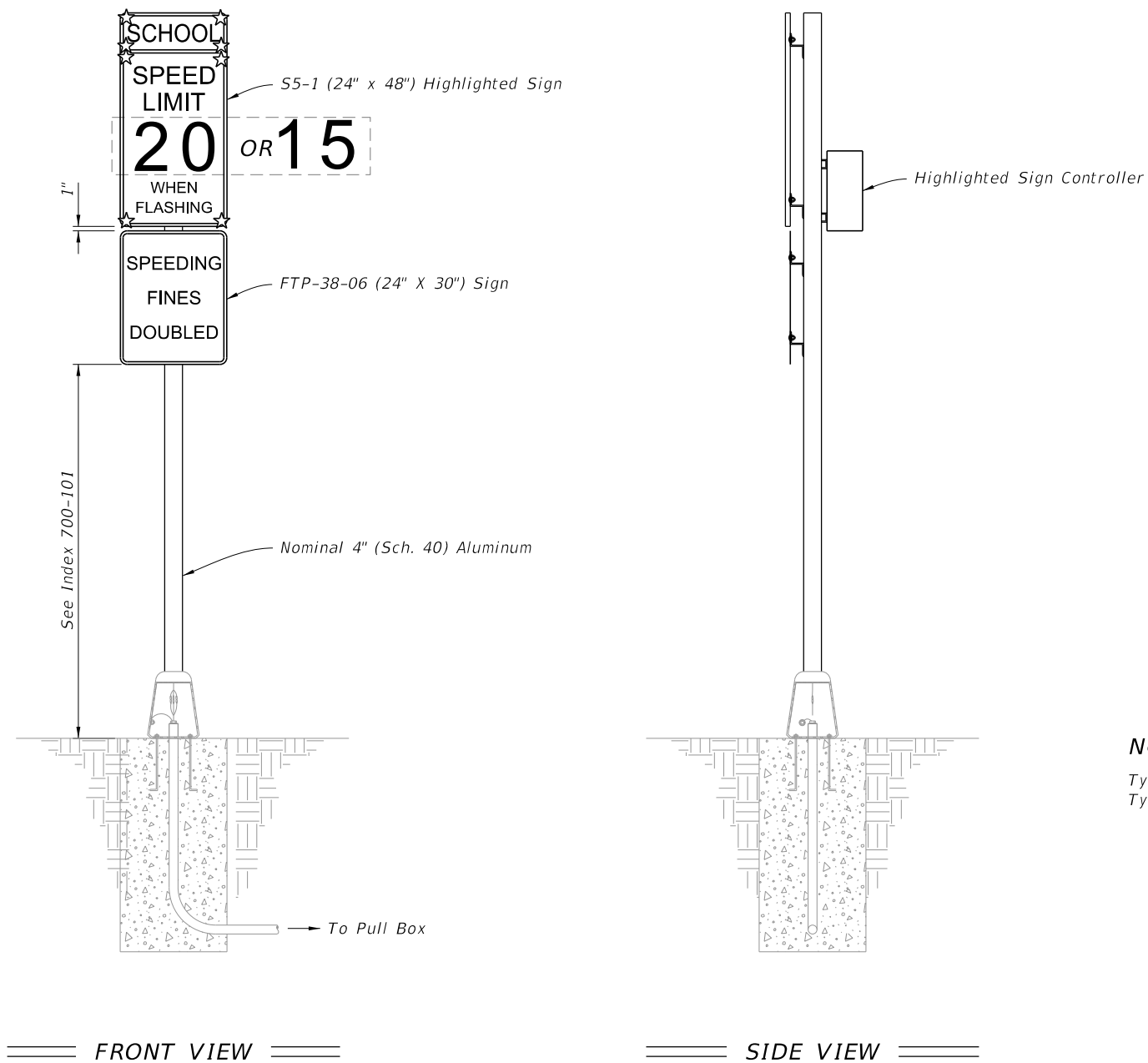
LAST REVISION 07/01/19	REVISION	DESCRIPTION: Added Roadside Sign Assembly-7
---------------------------	----------	--

**FY 2019-20
STANDARD PLANS**

ENHANCED HIGHWAY SIGNING ASSEMBLIES

INDEX 700-120	SHEET 5 of 10
------------------	------------------

7/1/2019 8:16:26 AM



NOTE:
Type A4 Assembly (conventionally-powered) is shown.
Type B4 Assemblies (solar-powered) similar.

ROADSIDE SIGN ASSEMBLY-4

LAST REVISION 07/01/19	DESCRIPTION: Added Roadside Sign Assembly-7
---------------------------	--



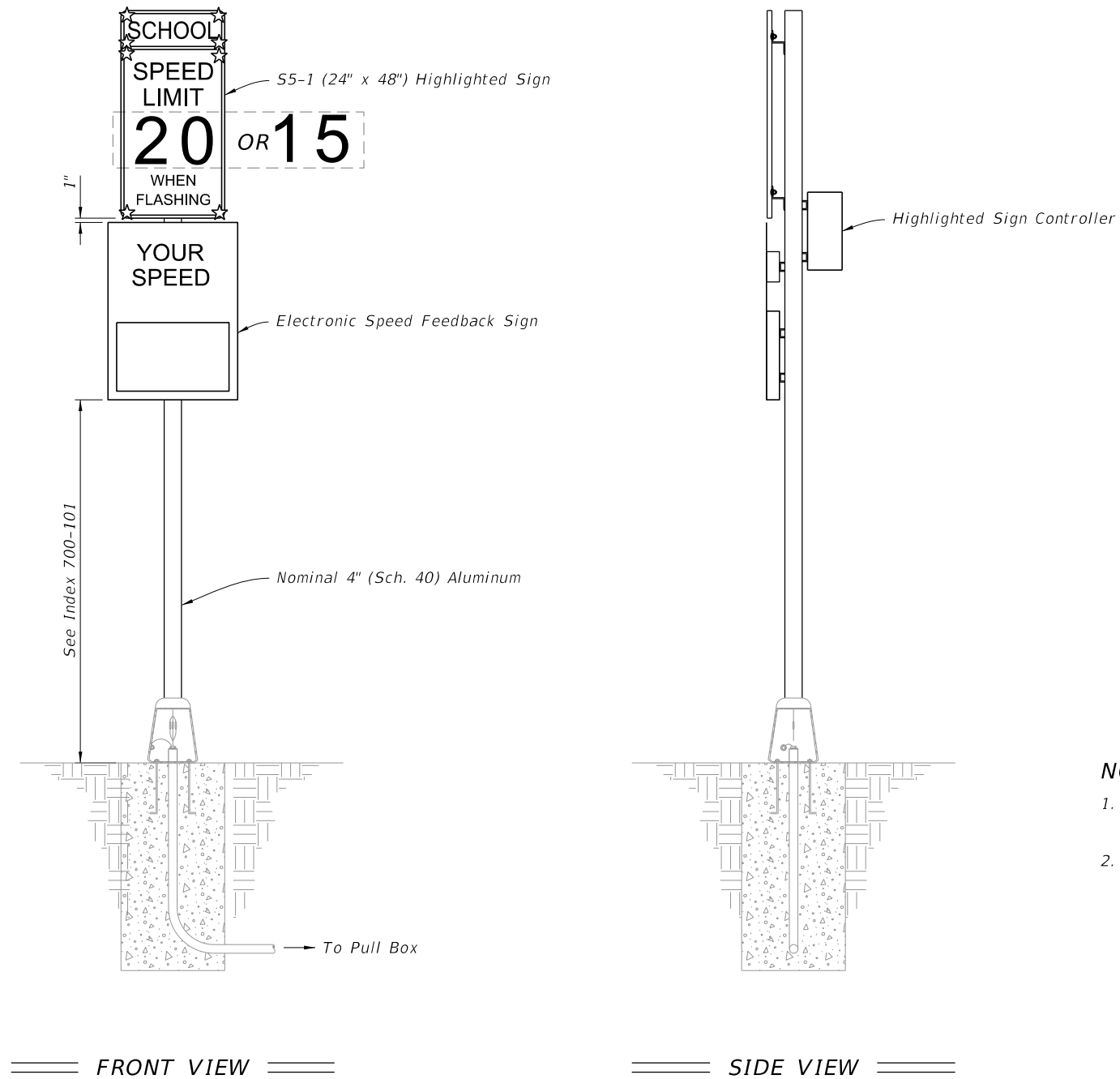
FY 2019-20
STANDARD PLANS

ENHANCED HIGHWAY SIGNING ASSEMBLIES

INDEX
700-120

SHEET
6 of 10

7/1/2019 8:16:27 AM



- NOTES:**
1. Type A5 Assembly (conventionally-powered) is shown. Type B5 Assemblies (solar-powered) similar.
 2. Use electronic speed feedback sign with 15" high numerals for posted speed of 45 mph or less, and 18" high numerals for posted speeds greater than 45 mph.

LAST REVISION 07/01/19	DESCRIPTION: Added Roadside Sign Assembly-7
---------------------------	--

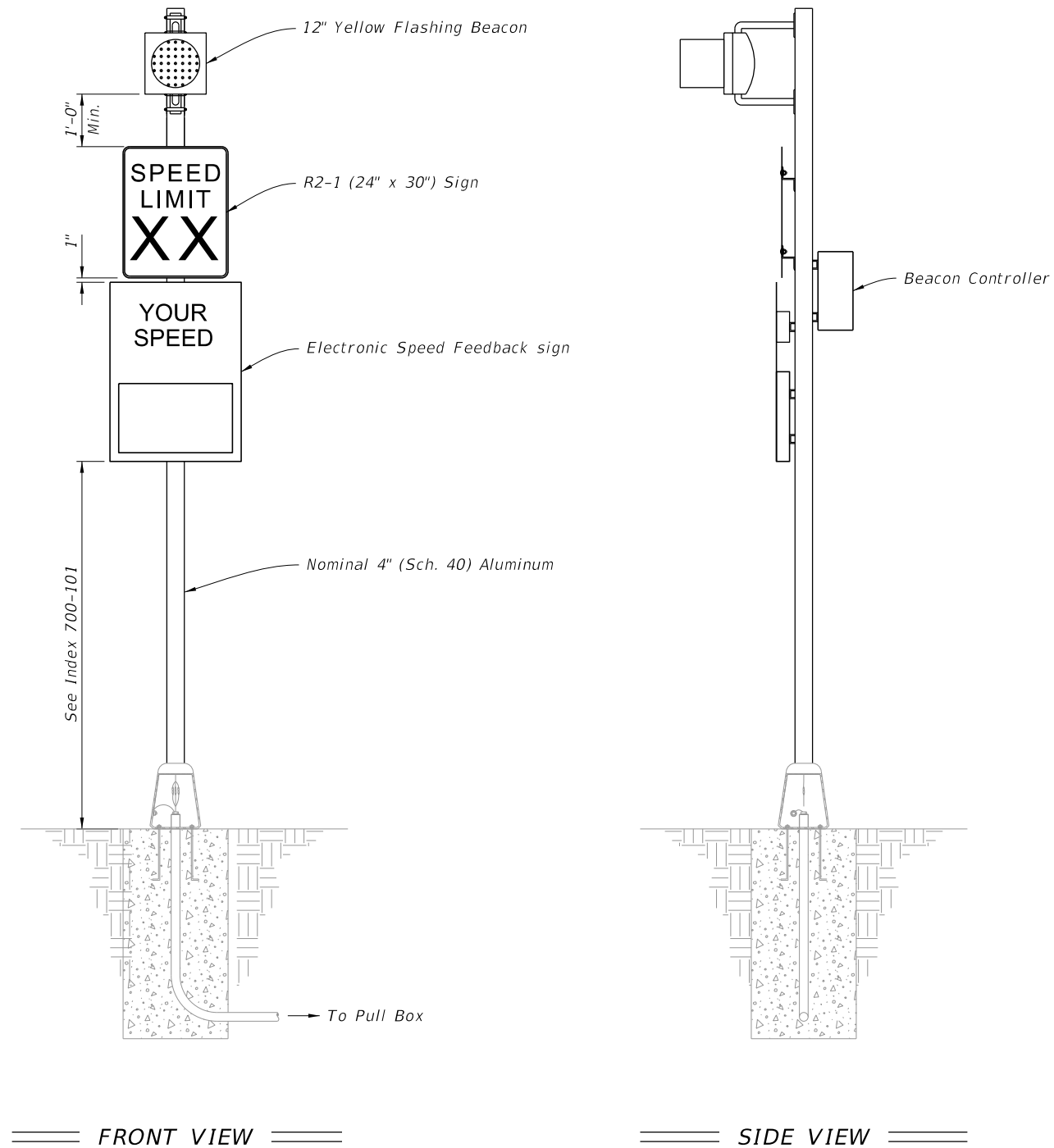


FY 2019-20
STANDARD PLANS

ENHANCED HIGHWAY SIGNING ASSEMBLIES

ROADSIDE SIGN ASSEMBLY-5

INDEX 700-120	SHEET 7 of 10
------------------	------------------



NOTES:

1. Type A6 Assembly (conventionally-powered) is shown. Type B6 Assemblies (solar-powered) similar.
2. Use electronic speed feedback sign with 15" high numerals for posted speed of 45 mph or less, and 18" high numerals for posted speeds greater than 45 mph.

7/1/2019 8:16:29 AM

ROADSIDE SIGN ASSEMBLY-6

LAST REVISION 07/01/19	REVISION	DESCRIPTION: Added Roadside Sign Assembly-7
------------------------------	----------	--



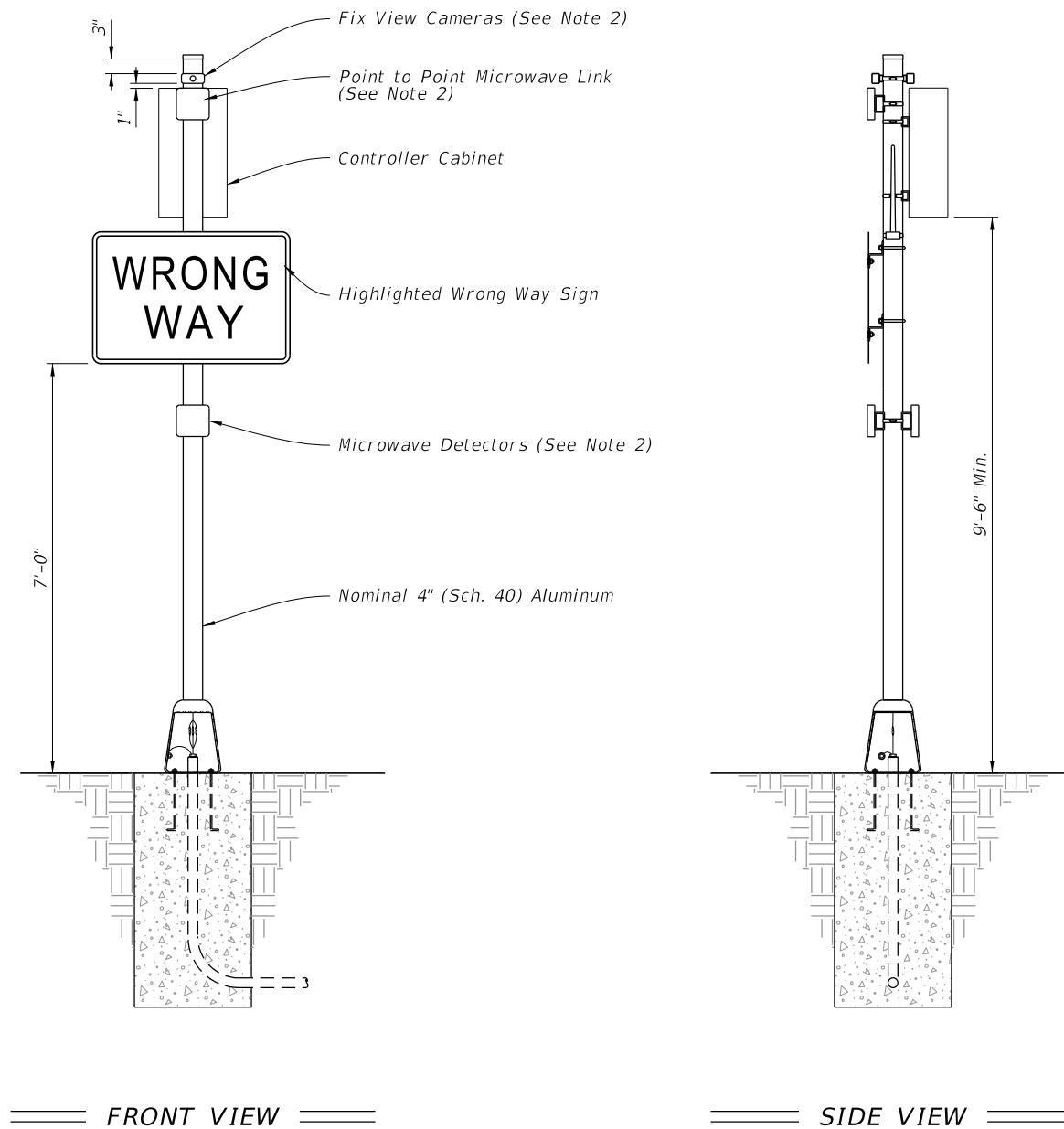
**FY 2019-20
STANDARD PLANS**

ENHANCED HIGHWAY SIGNING ASSEMBLIES

INDEX
700-120

SHEET
8 of 10

7/1/2019 8:16:29 AM



NOTES:

1. Type A7 Assembly (Conventionally-Powered) is shown. Type B7 Assemblies (Solar-Powered) Similar.
2. Install cameras, point to point microwave link, microwave detectors, and antennas in accordance with the manufacturer's instructions.

ROADSIDE SIGN ASSEMBLY-7

LAST REVISION 07/01/19	DESCRIPTION: Added Roadside Sign Assembly-7
---------------------------	--

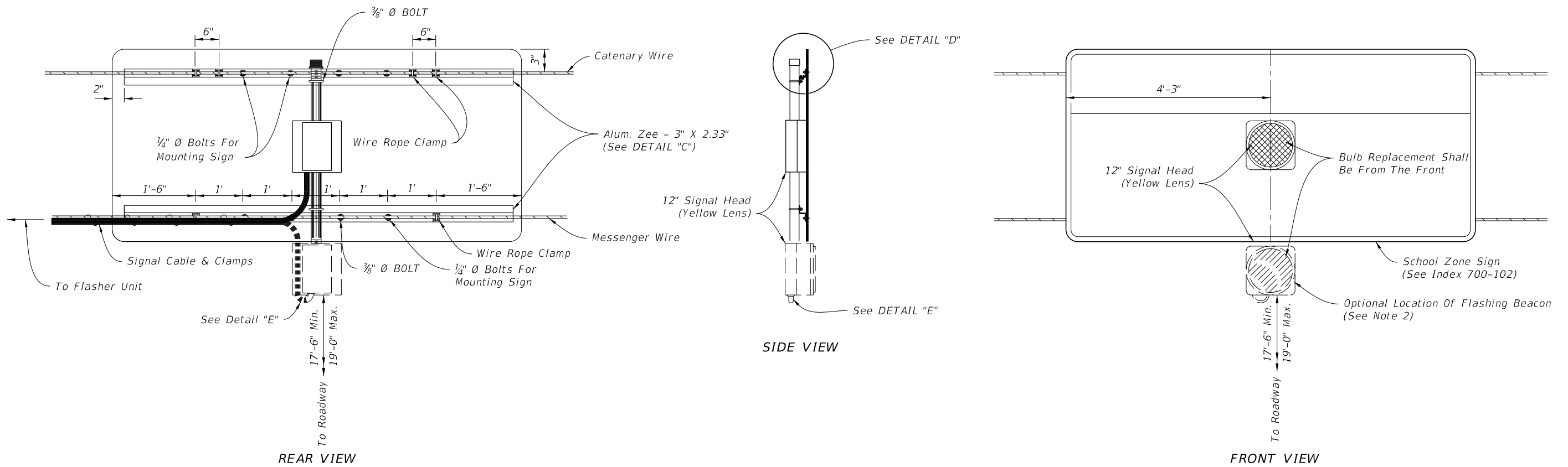


FY 2019-20
STANDARD PLANS

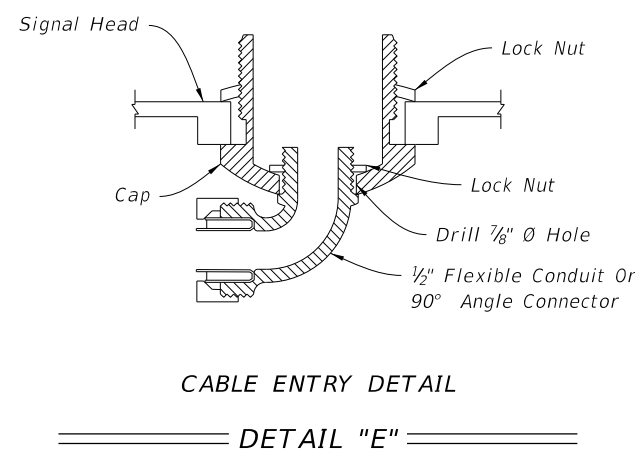
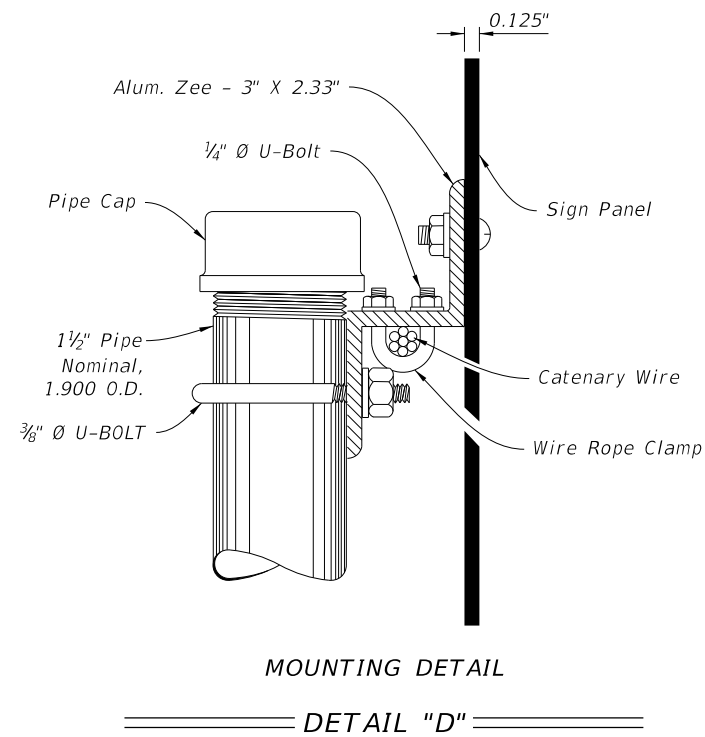
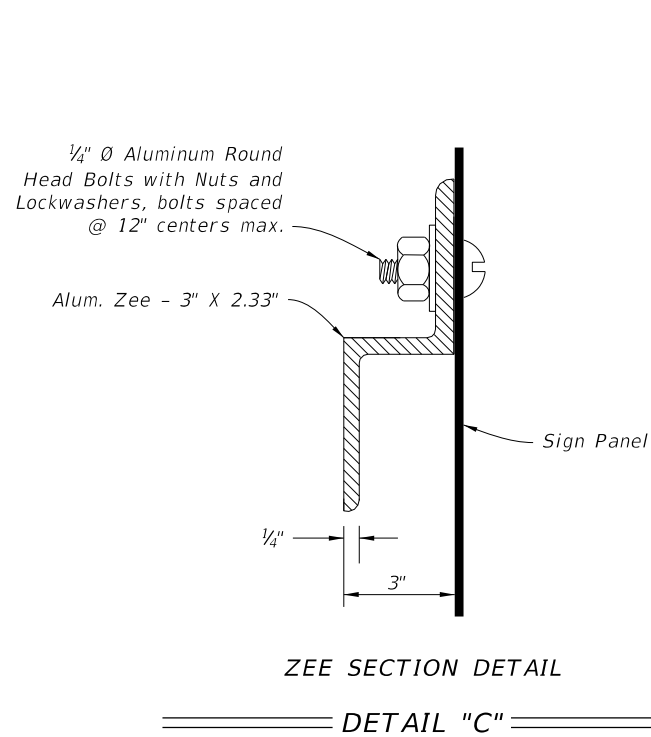
ENHANCED HIGHWAY SIGNING ASSEMBLIES

INDEX
700-120

SHEET
9 of 10



OVERHEAD SCHOOL SIGN ASSEMBLY



NOTES:

1. Flasher unit and cabinet to be placed on the strain pole supporting overhead sign assembly or on service pole. The flasher unit not to overhang private property or sidewalk.
2. Optional flashing beacon will be called for in the Plans. They may be placed within or below the panel, or face to the rear.

OVERHEAD SIGN ASSEMBLY

7/1/2019 8:16:31 AM

LAST REVISION 07/01/19	DESCRIPTION: Added Roadside Sign Assembly-7
---------------------------	--

**FY 2019-20
STANDARD PLANS**

ENHANCED HIGHWAY SIGNING ASSEMBLIES

INDEX 700-120	SHEET 10 of 10
------------------	-------------------