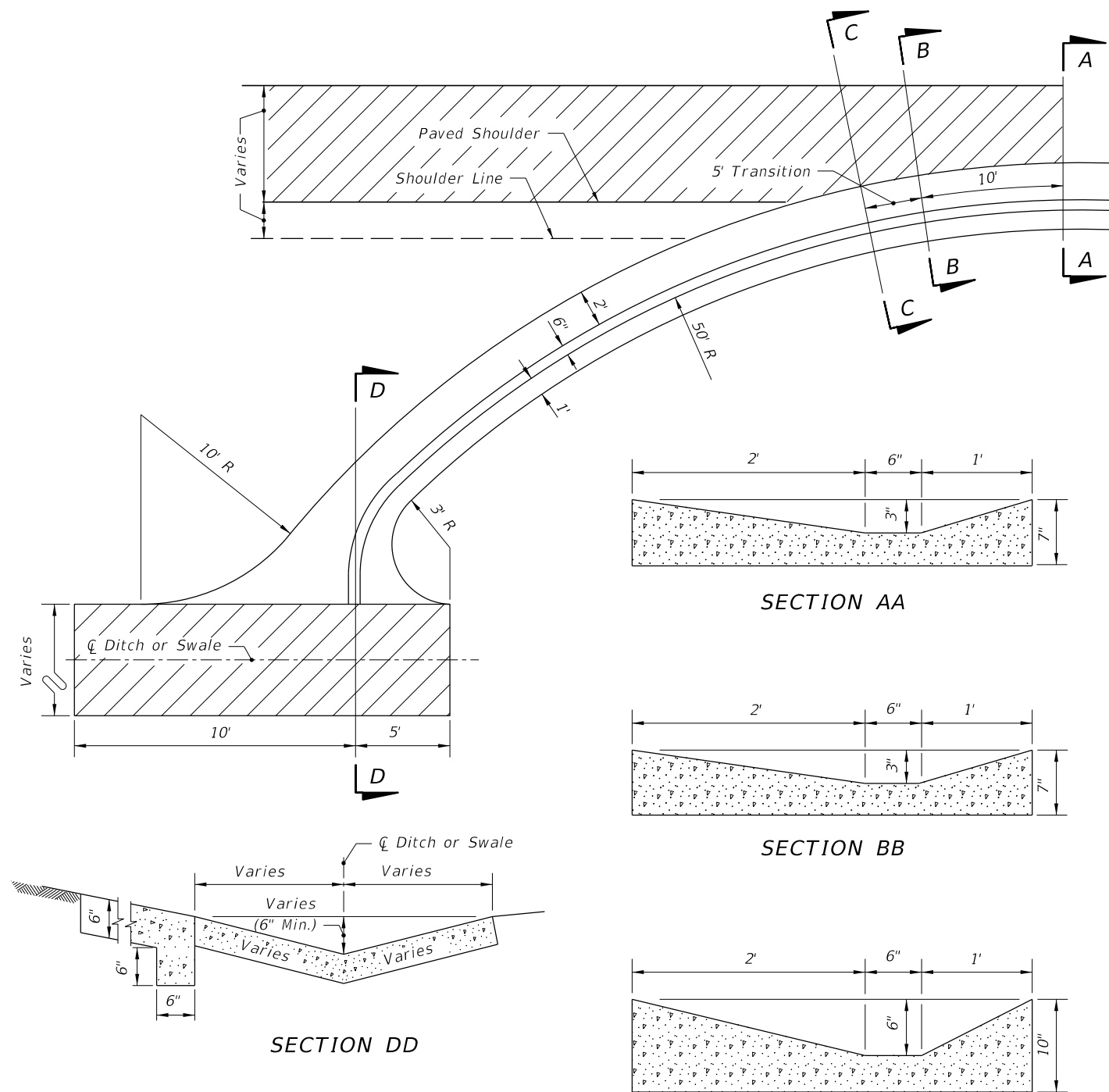


9/18/2018 3:12:59 PM



1. Spillway to be paid for as Shoulder Gutter, L.F.
2. If spillway empties into an unpaved ditch, the detail should be modified as necessary.

**DETAIL OF CONCRETE SPILLWAY AT END OF SHOULDER GUTTER**  
 (TO BE USED WHERE INLETS, PIPES & ENDWALLS ARE IMPRACTICAL)

LAST REVISION 11/01/17	REVISION	DESCRIPTION:
---------------------------	----------	--------------



FY 2019-20  
STANDARD PLANS

CONCRETE SHOULDER GUTTER SPILLWAY

INDEX  
520-005

SHEET  
1 of 1