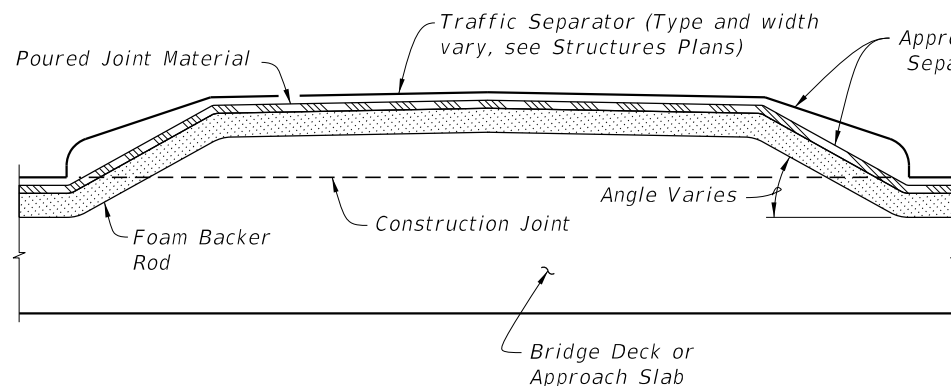
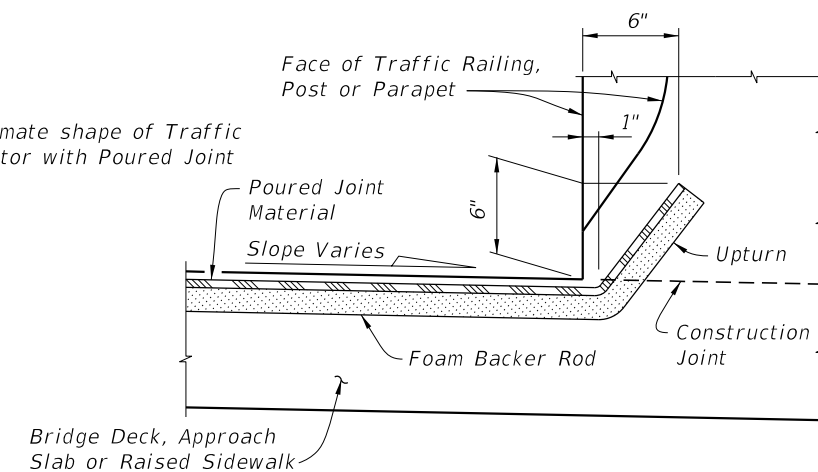


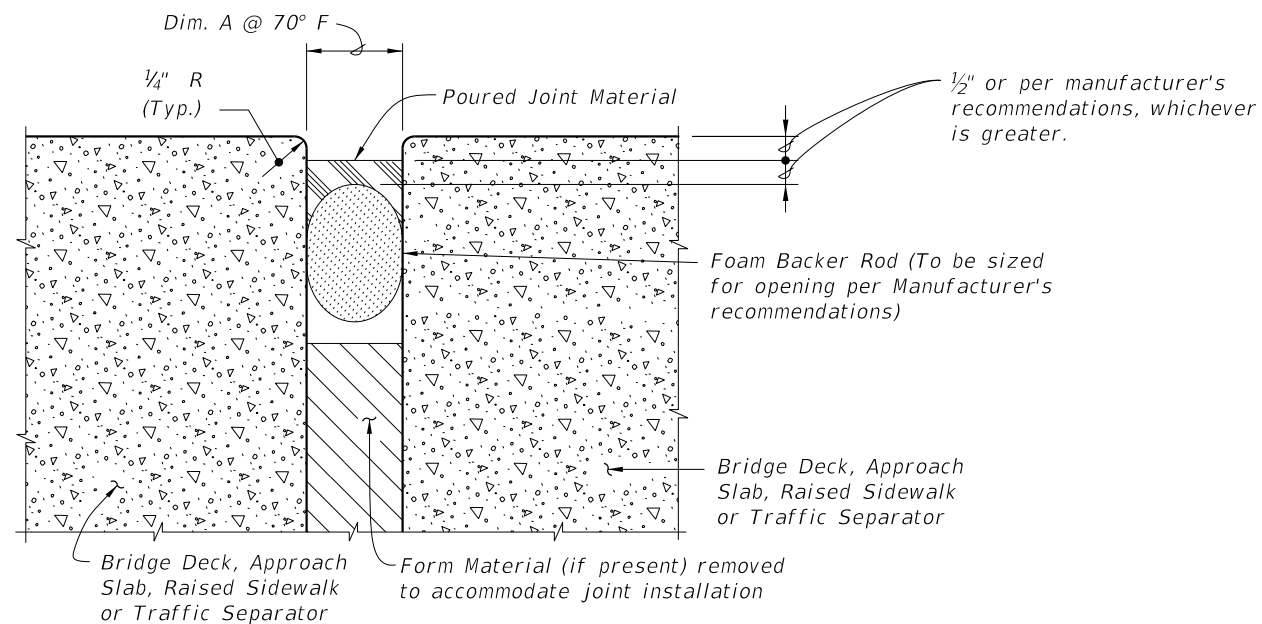
PARTIAL SECTION ALONG Q̄ JOINT  
JOINT TREATMENT AT HIGH SIDE OF  
DECK WITH SLOPES 1% OR GREATER



PARTIAL SECTION ALONG Q̄ JOINT,  
JOINT TREATMENT AT TRAFFIC SEPARATOR



PARTIAL SECTION ALONG Q̄ JOINT  
JOINT TREATMENT AT LOW SIDE OF DECK OR  
HIGH SIDE OF DECK WITH SLOPES < 1%



TYPICAL SECTION THRU JOINT

GENERAL NOTES:

1. Furnish and install Poured Joint With Backer Rod Expansion Joint Systems in accordance with Specification Sections 458 and 932 using Type D silicone sealant material.
2. Refer to the Structures Plans, Poured Expansion Joint Data Table for Dim. A @ 70° F.

10/23/2018 12:49:40 PM

LAST REVISION	07/01/14	DESCRIPTION:
---------------	----------	--------------

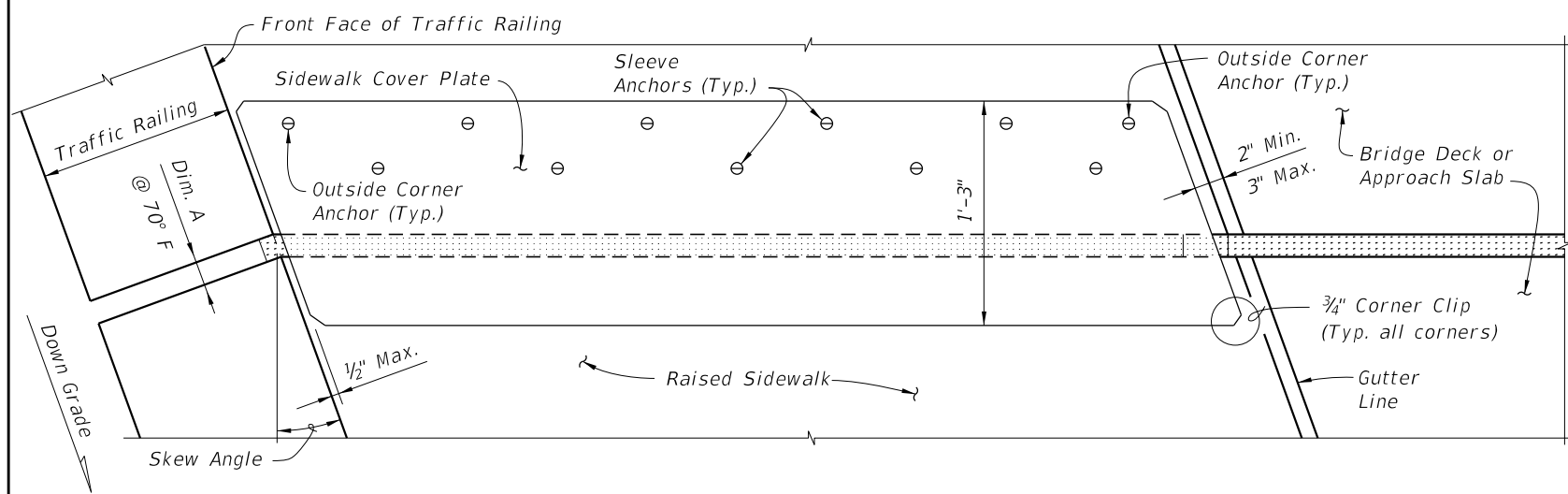


FY 2019-20  
STANDARD PLANS

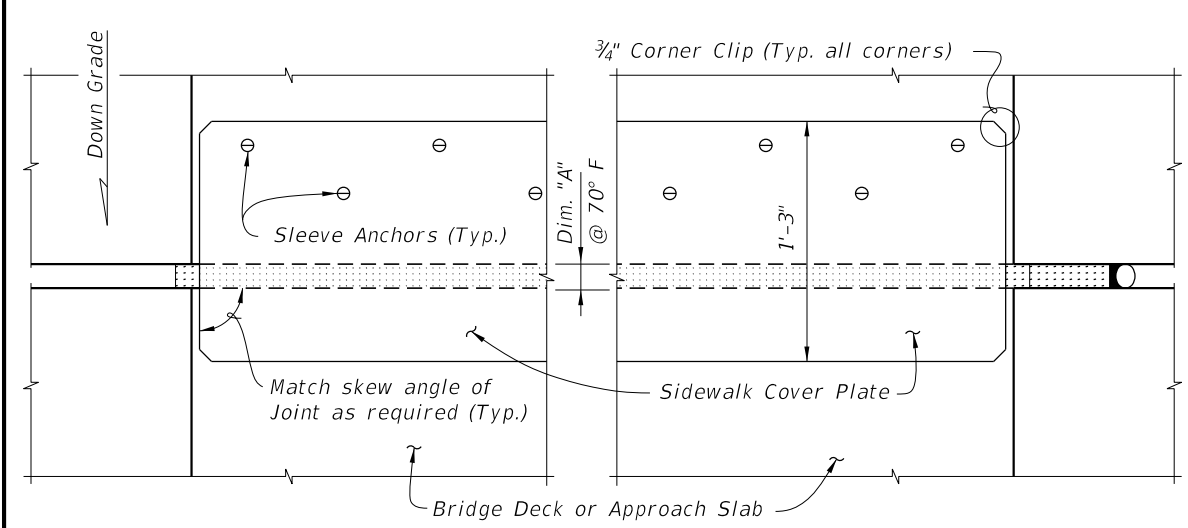
EXPANSION JOINT SYSTEM -  
POURED JOINT WITH BACKER ROD

INDEX  
458-110

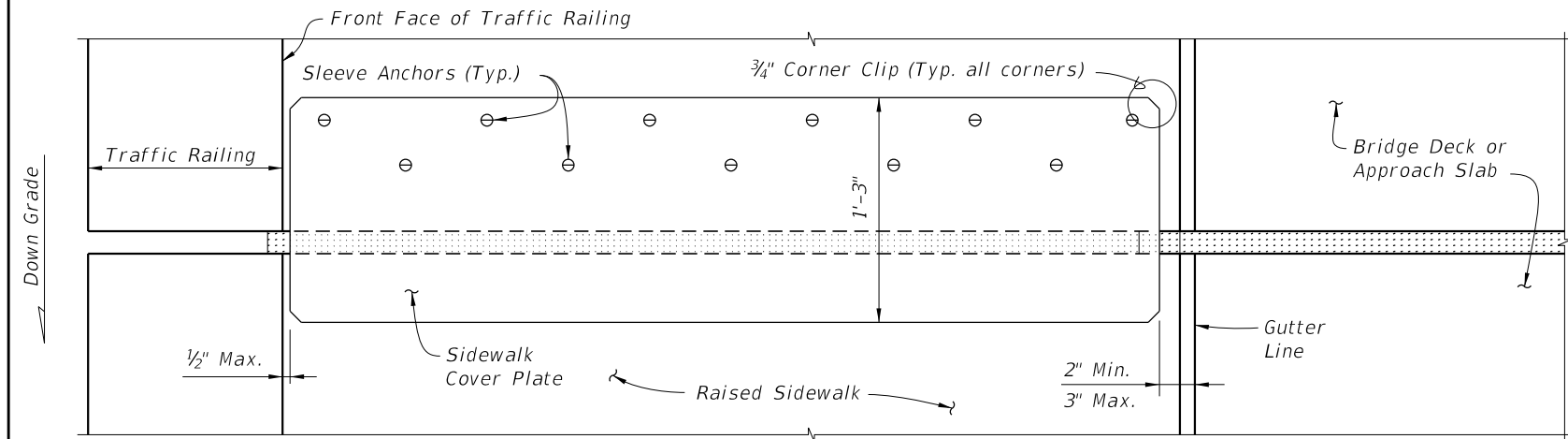
SHEET  
1 of 2



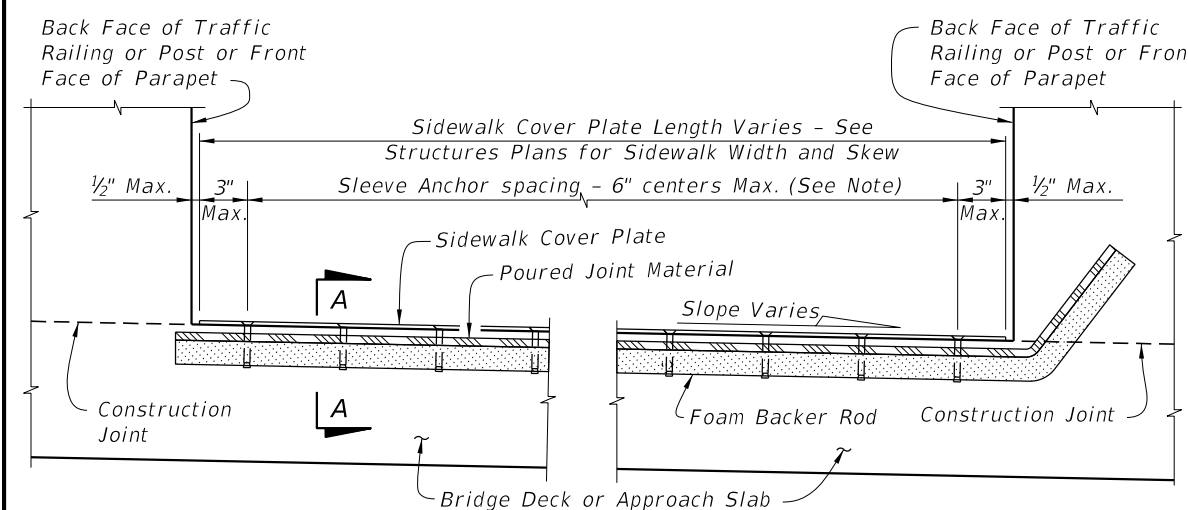
PARTIAL PLAN VIEW OF SKEWED JOINTS



PARTIAL PLAN VIEW

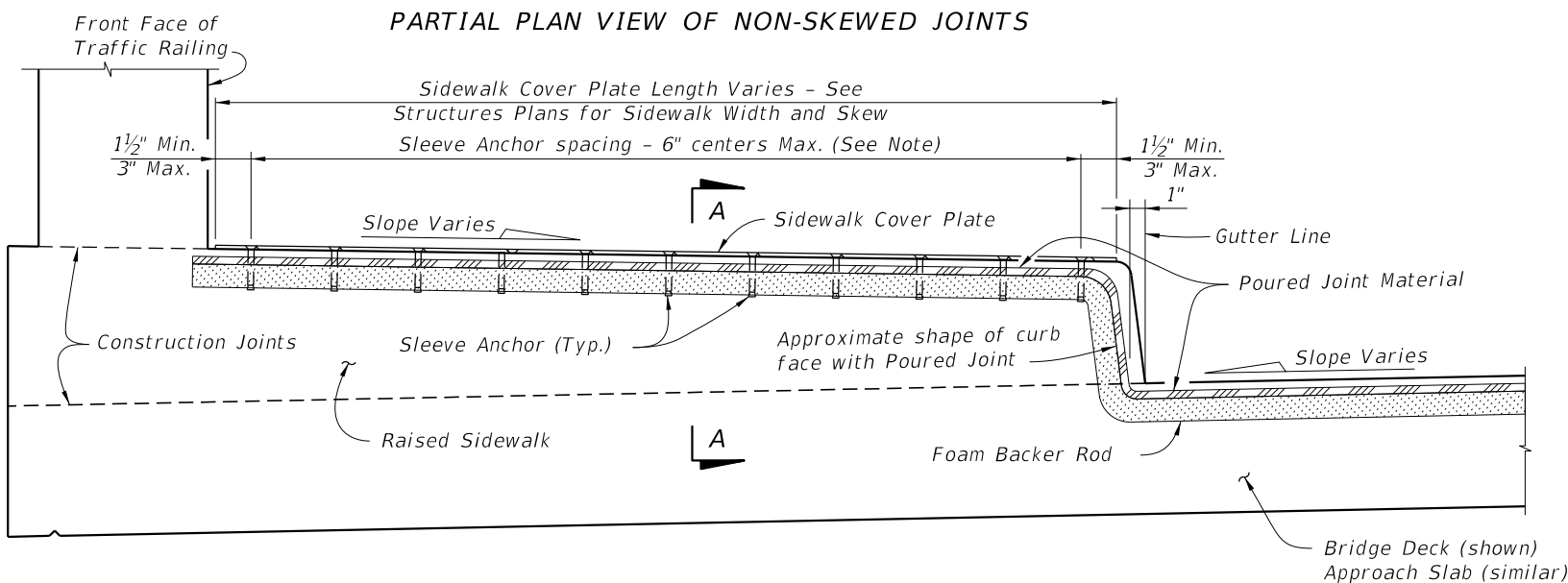


PARTIAL PLAN VIEW OF NON-SKEWED JOINTS



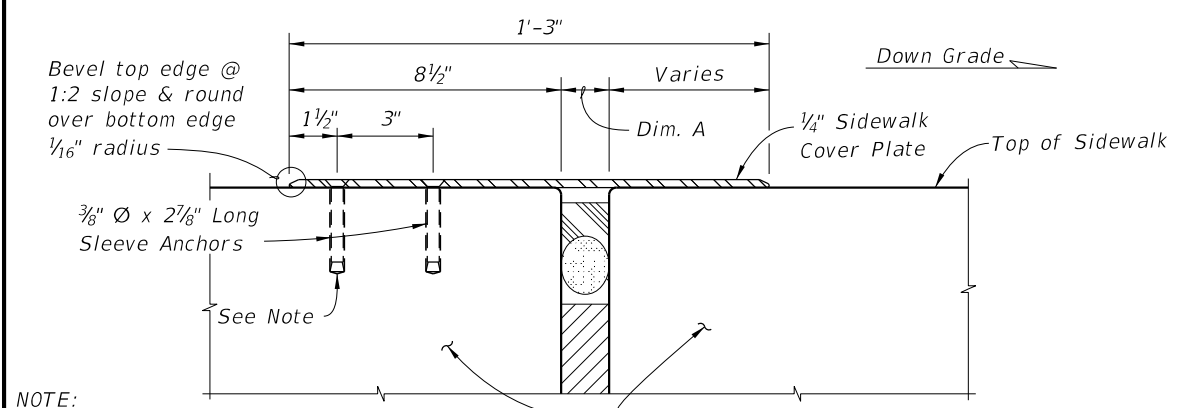
PARTIAL SECTION ALONG Q-JOINT

FLUSH SIDEWALK DETAIL



PARTIAL SECTION ALONG Q-JOINT

RAISED SIDEWALK DETAIL



NOTE:  
Sleeve Anchors are required at the two outside corners of the Sidewalk Cover Plate. Space Sleeve Anchors uniformly between the corner anchors.

SECTION A-A

10/23/2018 12:49:41 PM

LAST REVISION 07/01/13	DESCRIPTION:
---------------------------	--------------



FY 2019-20  
STANDARD PLANS

EXPANSION JOINT SYSTEM -  
POURED JOINT WITH BACKER ROD

INDEX  
458-110

SHEET  
2 of 2