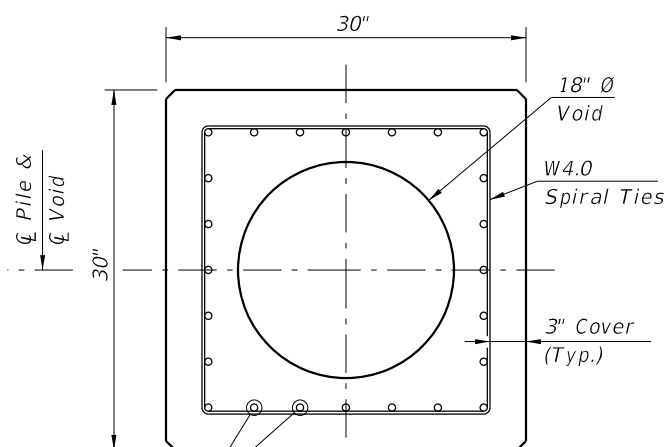
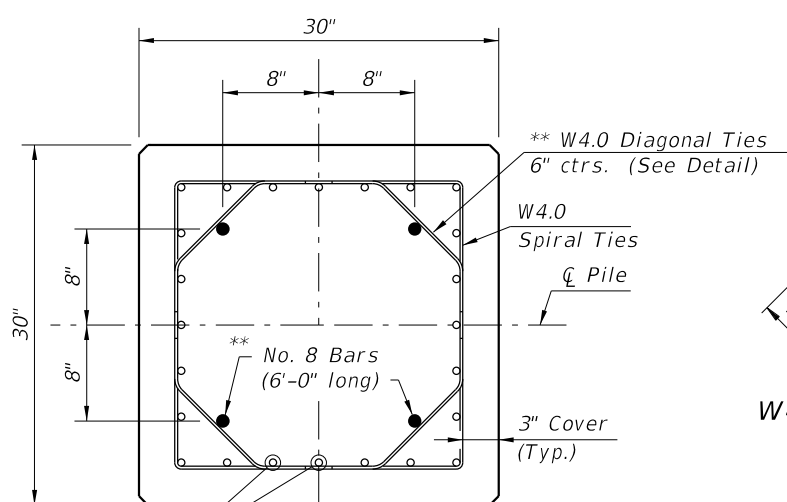


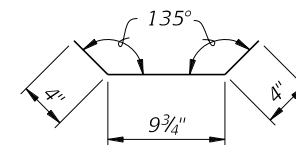
ELEVATION



SECTION B-B
(See Pile Splice Reinforcement Details)



SECTION C-C
(See Pile Splice Reinforcement Details)



W4.0 DIAGONAL TIE
DETAIL

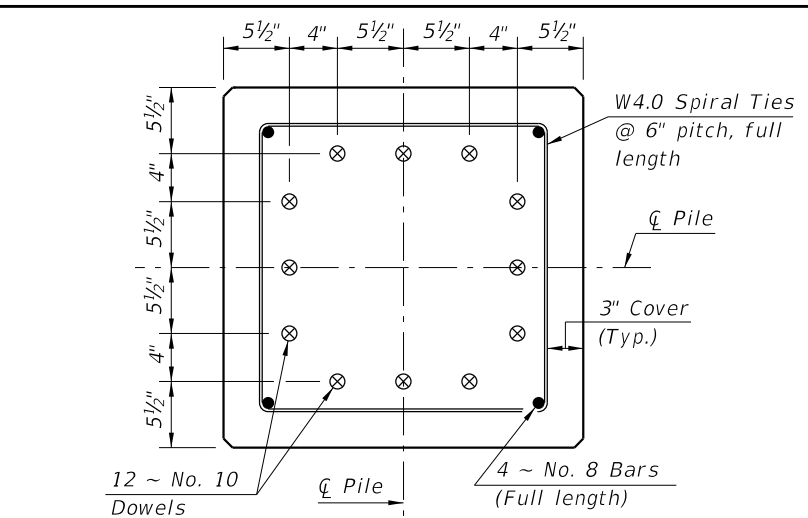
** Omit 4 ~ No. 8 Bars and Diagonal Ties in pre-planned mechanical splice.

NOTES:

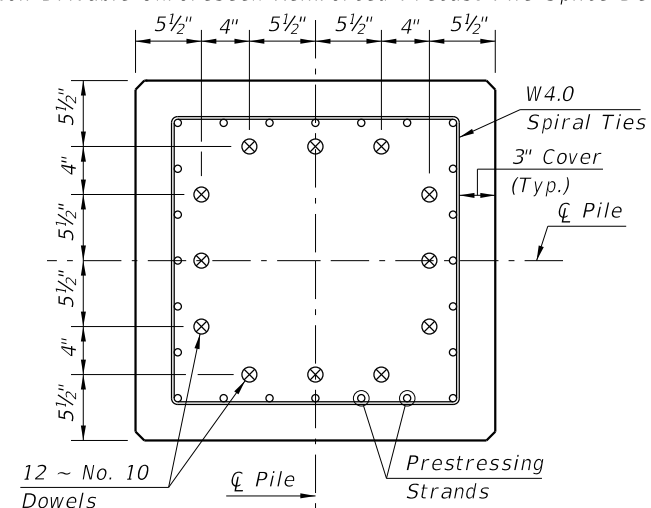
- Any of the given Alternate Strand Patterns may be utilized. The strands shall be located as follows: Place one strand at each corner and place the remaining strands equally spaced between the corner strands. The total strand pattern shall be concentric with the nominal concrete section of the pile.
- CONTRACTOR OPTION: The 30" pile may be cast SOLID by omitting the 18" Ø void. In this event, the Contractor shall submit calculations for approval and a proposed strand configuration that provide net prestressing after losses equal to 1000 psi. Alternate configurations for the Diagonal Ties, to maintain the position of the 4 ~ #8 Bars, may be approved by the Engineer.
- Work this Index with Index 455-001 - Typical Details and Notes for Square Prestressed Concrete Piles and Index 455-002 - Square Prestressed Concrete Pile Splices.

ALTERNATE STRAND PATTERNS

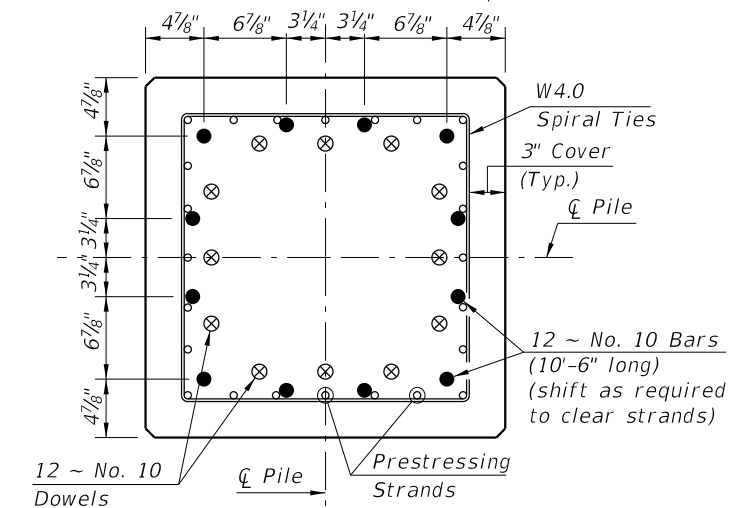
- 20 ~ 0.6" Ø, Grade 270 LRS, at 41 kips
- 24 ~ 1/2" Ø (Special), Grade 270 LRS, at 34 kips
- 28 ~ 1/2" Ø, Grade 270 LRS, at 29 kips



SECTION D-D
(See Non-Drivable Unforeseen Reinforced Precast Pile Splice Detail)



SECTION E-E
(See Drivable Prestressed Precast Pile Splice Detail)



SECTION F-F
(See Drivable Preplanned Pile Splice Detail)

PILE SPLICE DETAILS

11:40:42 AM
10/24/2018

LAST REVISION 07/01/15	DESCRIPTION:	FDOT FY 2019-20 STANDARD PLANS	30" SQUARE PRESTRESSED CONCRETE PILE	INDEX 455-030	SHEET 1 of 1
---------------------------	--------------	--------------------------------------	--------------------------------------	------------------	-----------------