

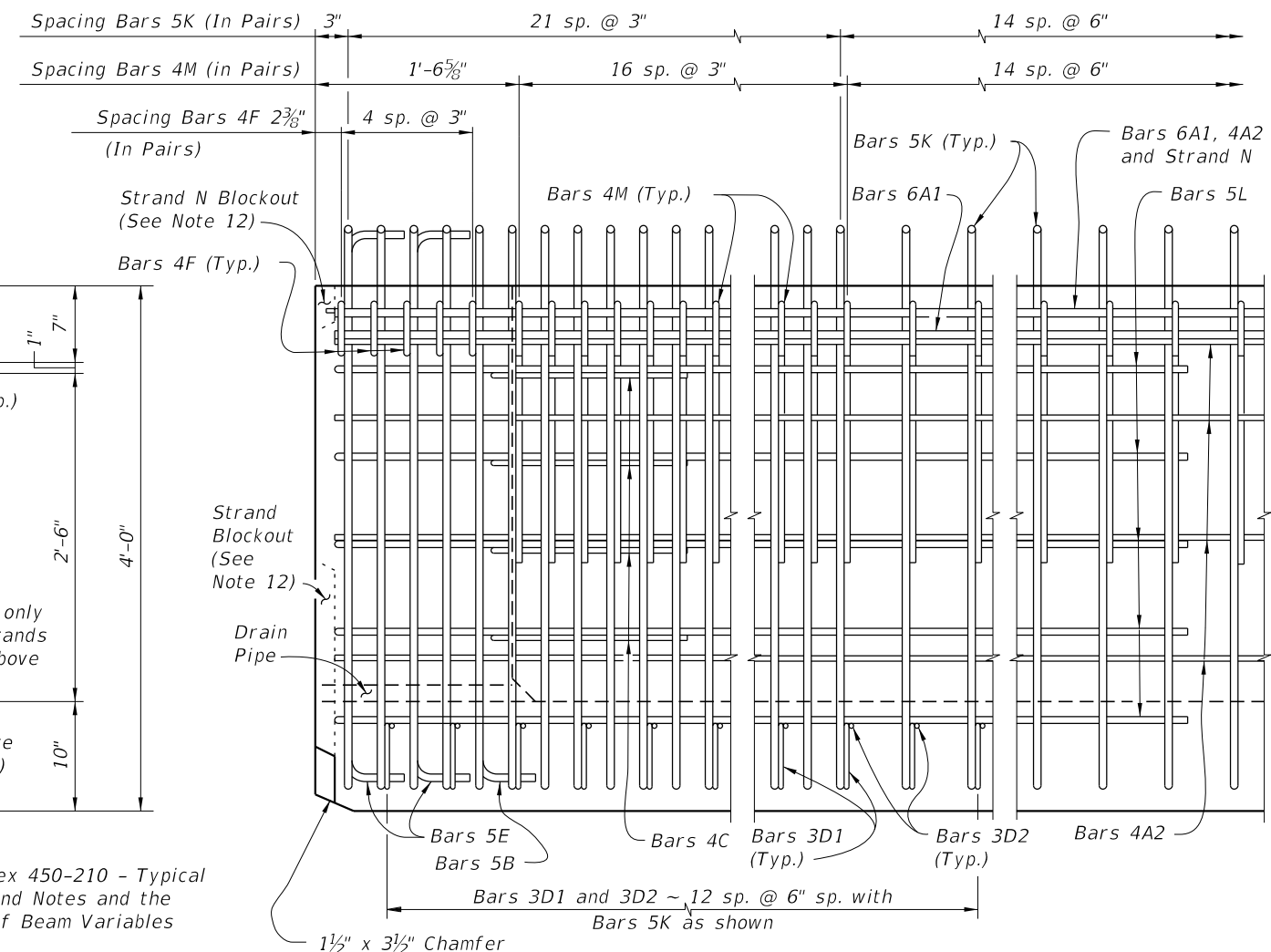
TYPICAL SECTION

\* Reinforcing steel is symmetrical about centerline of beam for Half Sections A-A and B-B.

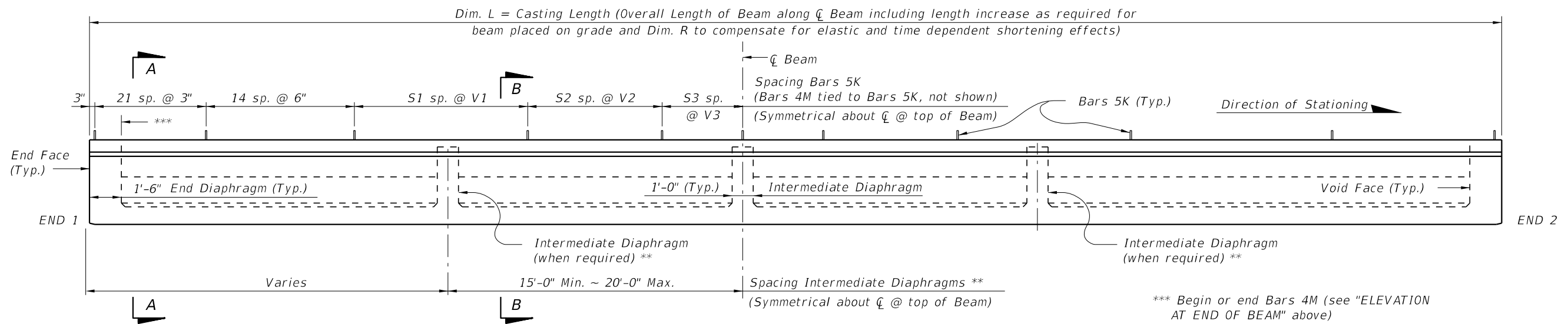
\*\* Intermediate Diaphragms shall be provided:  
 (1) - At midspan.  
 (2) - At 20'-0" Max. from midspan when beam length (L) exceeds 60 Ft.

NOTES:  
 Work this Index with Index 450-210 - Typical Florida-U Beam Details and Notes and the Florida-U Beam - Table of Beam Variables in Structures Plans.

For referenced notes see Index 450-210.



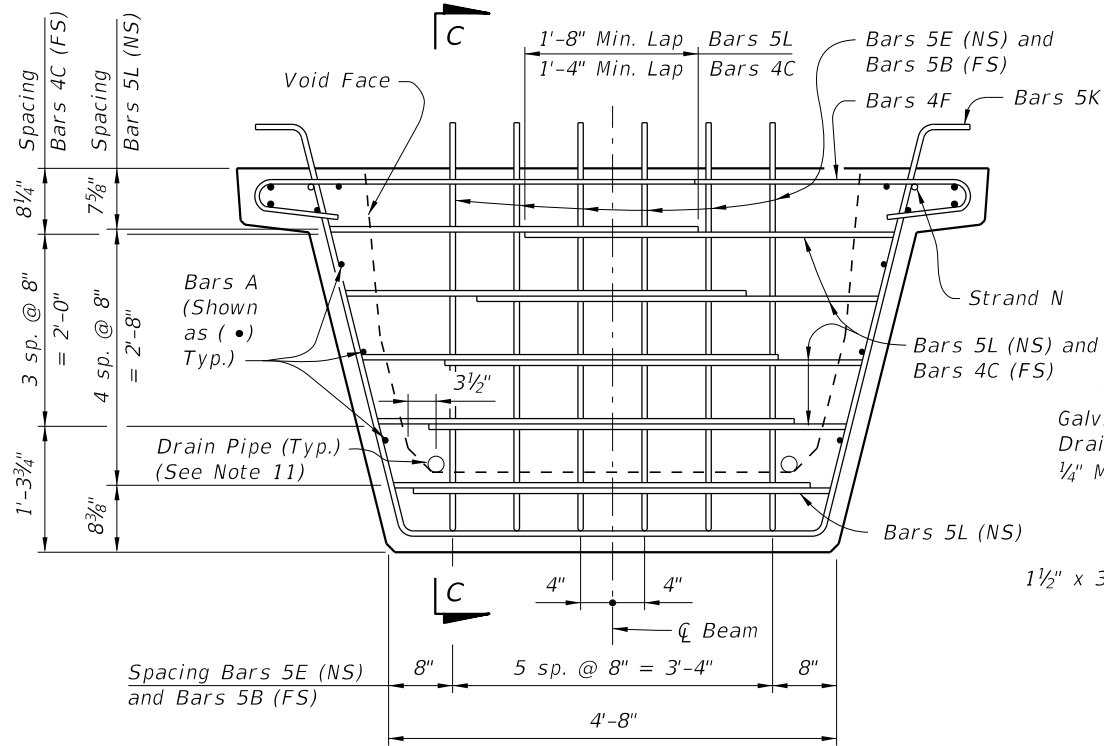
ELEVATION AT END OF BEAM



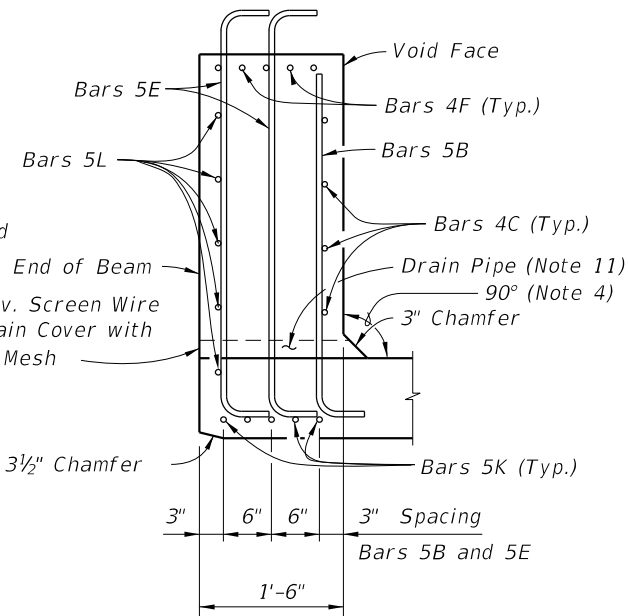
ELEVATION

10/23/2018 12:28:01 PM

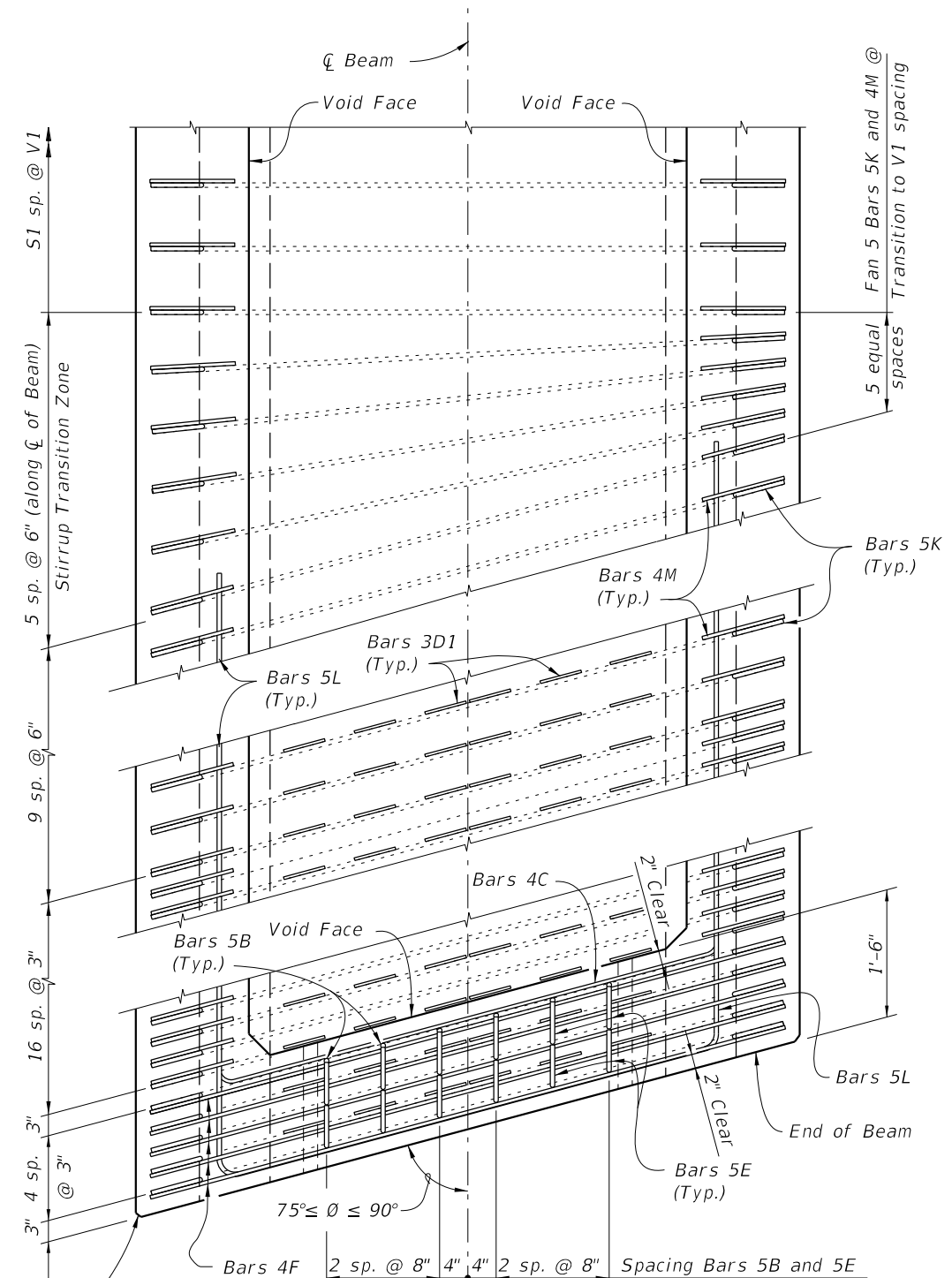
LAST REVISION 11/01/16	DESCRIPTION:	 FY 2019-20 STANDARD PLANS	FLORIDA-U 48 BEAM - STANDARD DETAILS	INDEX 450-248	SHEET 1 of 3
---------------------------	--------------	--	--------------------------------------	------------------	-----------------



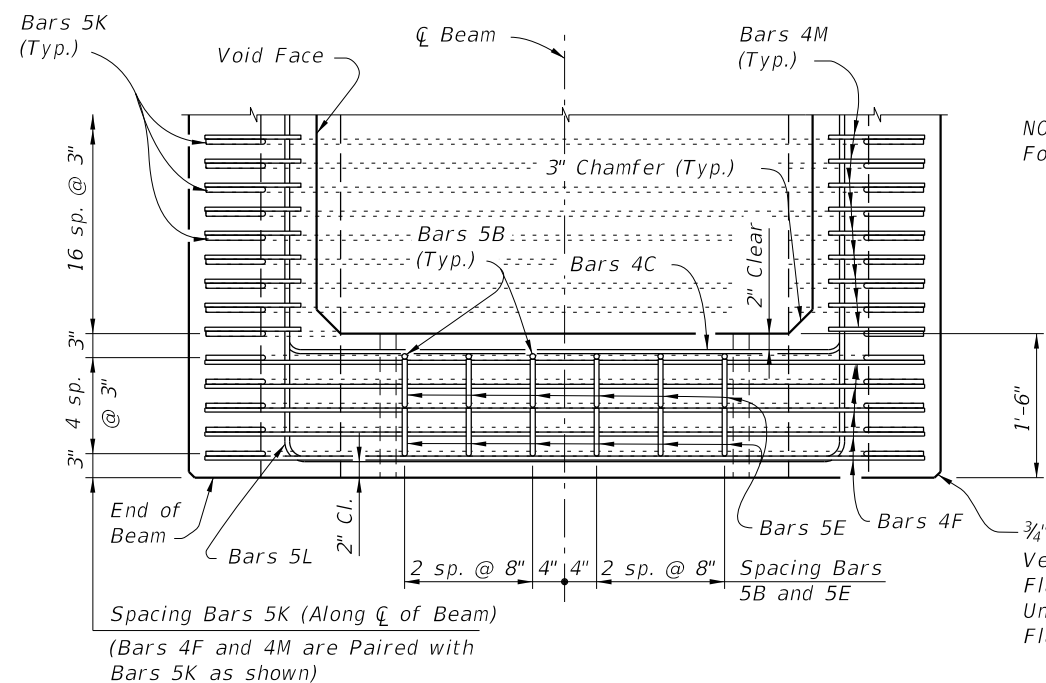
END VIEW AT END DIAPHRAGM



SECTION C-C



TOP VIEW OF SKEWED END DIAPHRAGM AND STIRRUP TRANSITION ZONE (Bars 3D2 Not Shown For Clarity)



TOP VIEW OF END DIAPHRAGM (Bars 3D1 And 3D2 Not Shown For Clarity)

NOTES:  
For referenced notes see Index 450-210.

Spacing Bars 5K (Along  $\bar{C}$  of Beam)  
(Bars 4F and 4M are Paired with Bars 5K as shown)

3/4" Chamfer along the Vertical Face of the Top Flange and Web and Underside of the Top Flange (Typ.)

10/23/2018 12:28:02 PM

LAST REVISION 11/01/16	DESCRIPTION:
---------------------------	--------------



FY 2019-20  
STANDARD PLANS

FLORIDA-U 48 BEAM - STANDARD DETAILS

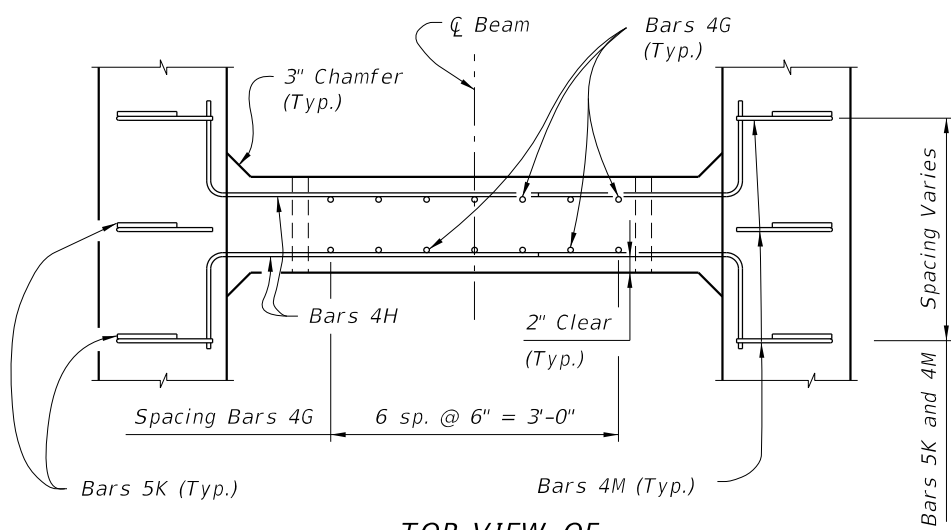
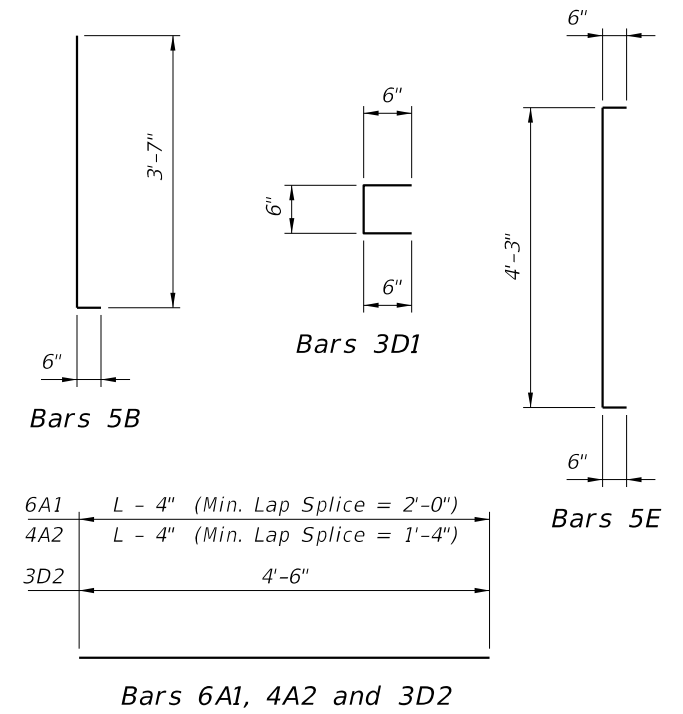
INDEX  
450-248

SHEET  
2 of 3

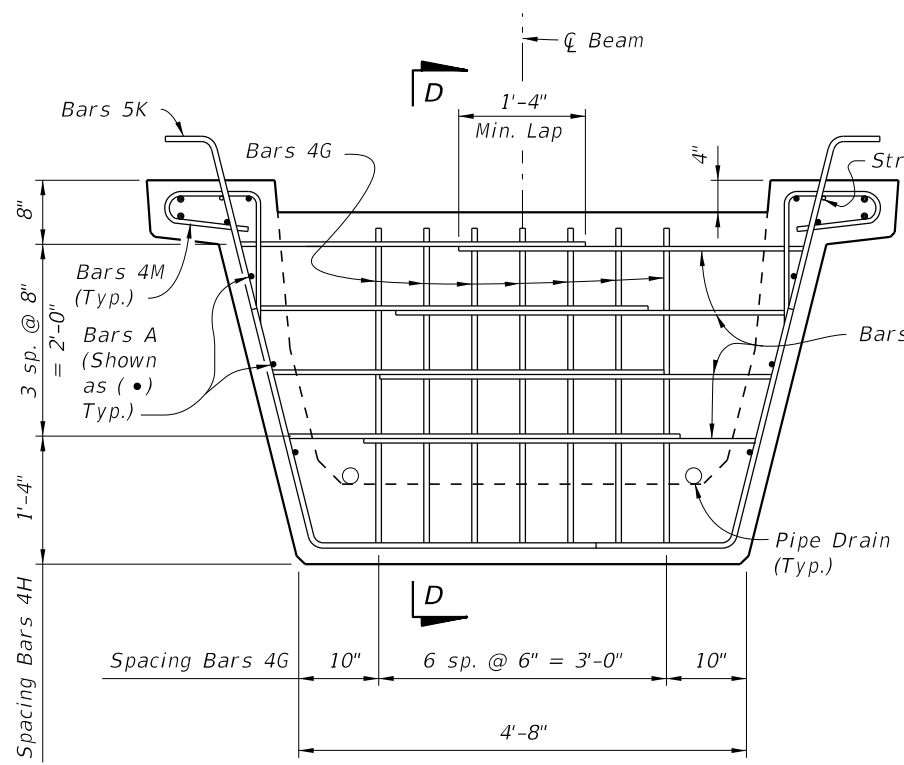
CONVENTIONAL REINFORCING STEEL BENDING DIAGRAMS

BILL OF REINFORCING STEEL FOR ONE BEAM ONLY

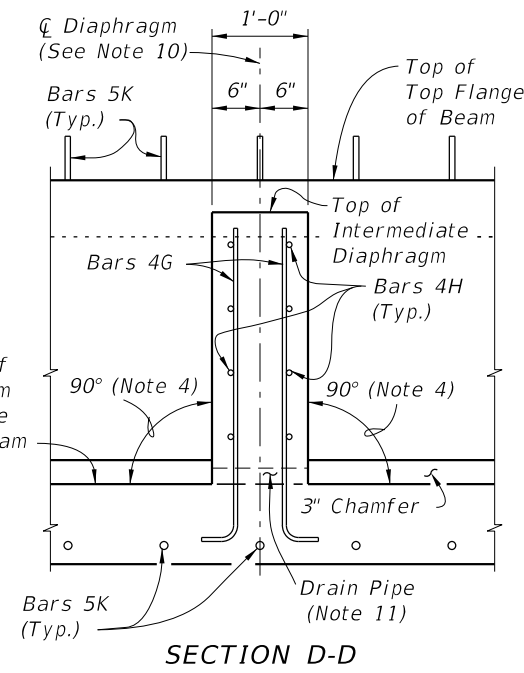
MARK	SIZE	NO. REQD.	LENGTH
A1	6	4	Dim. L - 4"
A2	4	10	Dim. L - 4"
B	5	12	4'-1"
C	4	16	5'-1"
D1	3	156	1'-6"
D2	3	26	4'-6"
E	5	24	5'-3"
F	4	20	6'-2"
G	4	See Table	4'-0"
H	4	See Table	4'-7"
K	5	See Table	8'-0"
L	5	20	14'-0"
M	4	See Table	3'-11"
N	3/8" Ø Strand	2	Dim. L - 3"



TOP VIEW OF INTERMEDIATE DIAPHRAGM

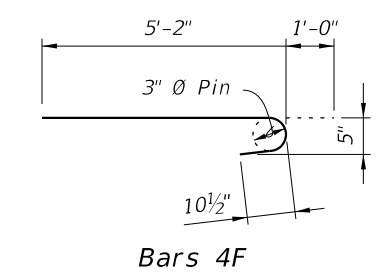


SECTION AT INTERMEDIATE DIAPHRAGM

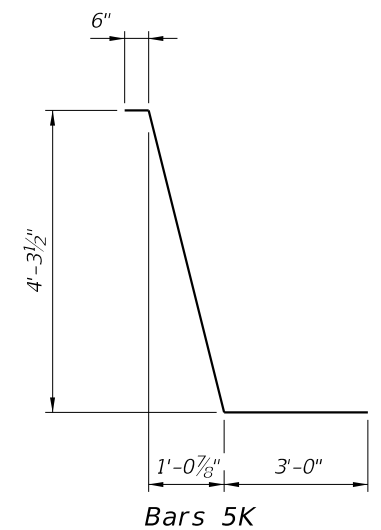


SECTION D-D

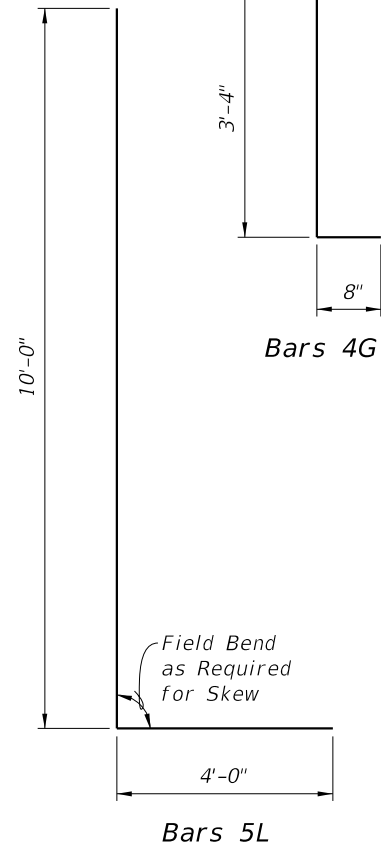
NOTES:  
For referenced notes see Index 450-210.



Bars 4F

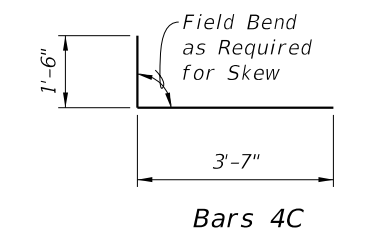


Bars 5K

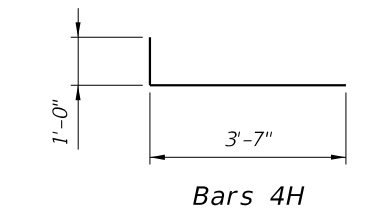


Bars 4G

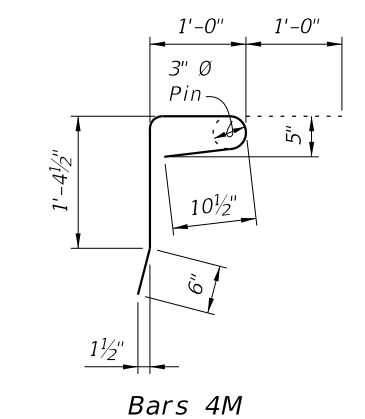
Bars 5L



Bars 4C



Bars 4H



Bars 4M

10/23/2018 12:28:02 PM

LAST REVISION 11/01/16	DESCRIPTION:
---------------------------	--------------