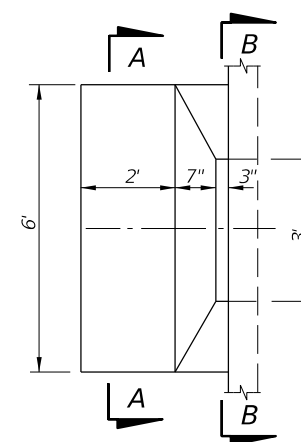
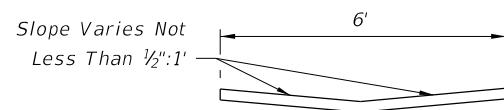


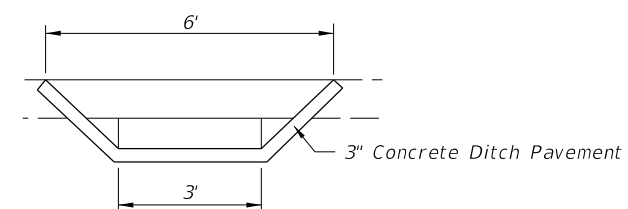
LONGITUDINAL SECTION



PLAN




SECTION AA



SECTION BB

SAFETY MODIFICATION FOR INLETS IN BOX CULVERTS

11/28/2018 2:35:52 PM

LAST REVISION 11/01/17	REVISION DESCRIPTION:	 FY 2019-20 STANDARD PLANS	SAFETY MODIFICATIONS FOR INLET IN BOX CULVERTS	INDEX 425-090	SHEET 1 of 1
---------------------------	-----------------------	--	---	------------------	-----------------