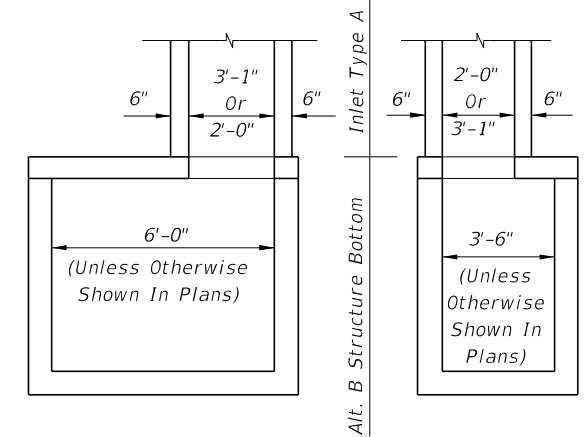


SECTION DD

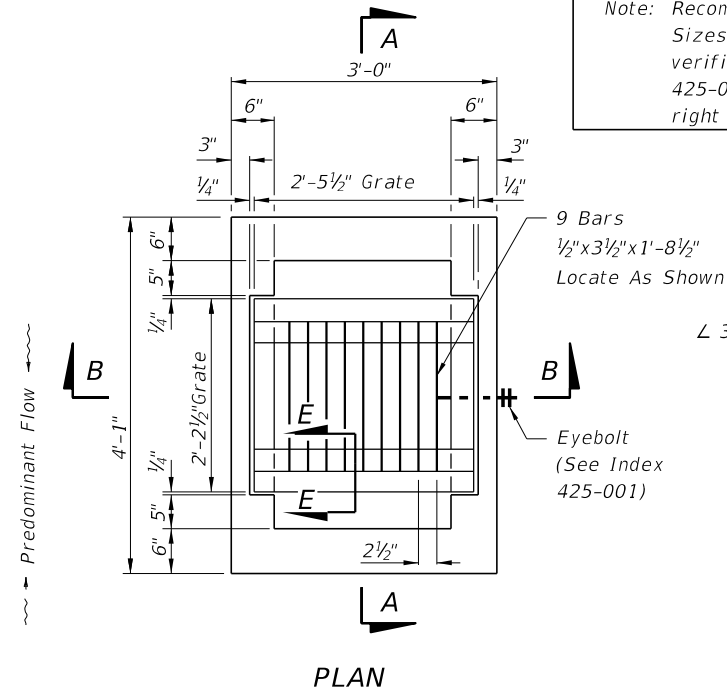
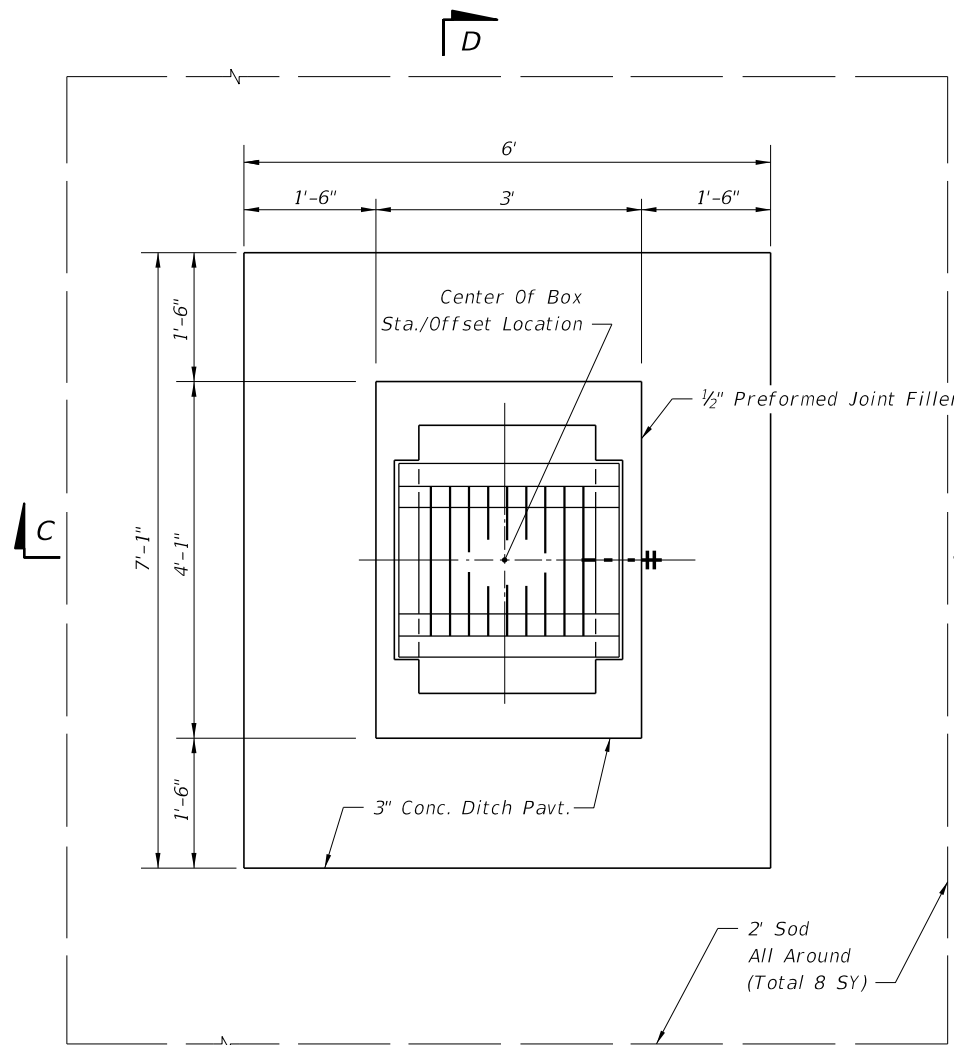
RECOMMENDED MAXIMUM PIPE SIZES	
Inlet Inside Width	Pipe Size
2'-0"	18"
3'-1"	24" 18" Where An 18" pipe Enters A 2'-0" Wall

Note: Recommended sizes are for concrete pipe. Sizes for other types of pipe must be verified for fit in accordance with Index 425-001. For larger pipe see bottom detail right and Index 425-010.

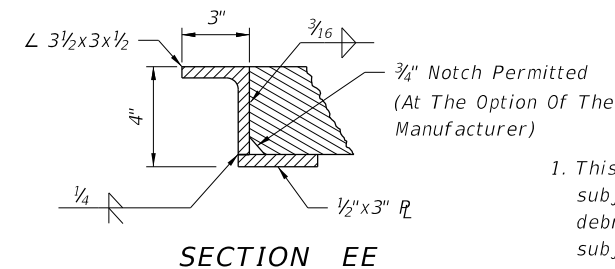


NOTE: Alt. B Structure Bottom Only. See Index 425-010 for Structure Bottom Details And Hole Reinforcement.

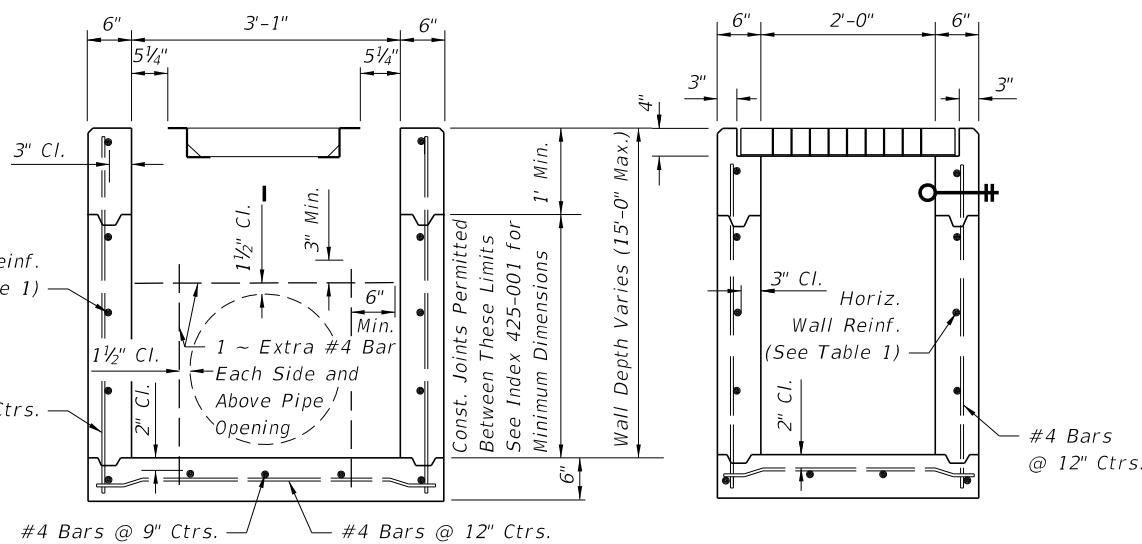
**INLET WITH STRUCTURE BOTTOM**



PLAN



SECTION EE



(Pipe Opening Shown) SECTION AA

(Pipe Opening Not Shown) SECTION BB

**GENERAL NOTES**

- This inlet is designed for ditches, medians, or other area subject to heavy wheel loads on limited access facilities where debris may be a problem. This inlet is not for use in areas subject to pedestrian and/or bicycle traffic.
- All reinforcing is Grade 60 bars with 2" min. cover unless otherwise noted. Cut or bend bars out of way of pipe to clear pipe by 1 1/2". See Index 425-001 for equivalent area of welded wire fabric.
- All exposed edges and corners shall be 3/4" chamfer or tooled to 1/4" radius.
- When alternate "G" grate is specified in plans, the grate is to be hot-dip galvanized after fabrication.
- Cost of ditch paving to be included in the cost of Inlet. Sodding to be paid for under contract unit price for Performance Turf, SY.
- For supplemental details see Index 425-001.
- All dimensions are for both precast and cast-in-place inlets unless otherwise noted.
- Inlet to be paid for under the contract unit price for inlets (Dt Bot Type A), EA.

**HORIZONTAL WALL REINFORCING SCHEDULE (TABLE 1)**

WALL DEPTH	SCHEDULE	AREA (in. <sup>2</sup> /ft.)	MAX. SPACING	
			BARS	WWF
0' - 10'	A12	0.20	12"	8"
10' - 15'	A6	0.20	6"	5"

9/18/2018 2:46:31 PM

LAST REVISION	DESCRIPTION:
11/01/17	

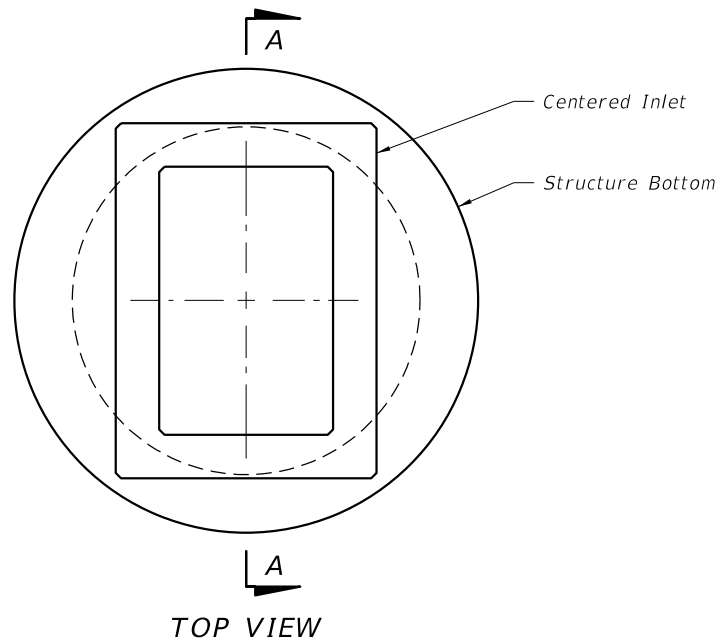


FY 2019-20  
STANDARD PLANS

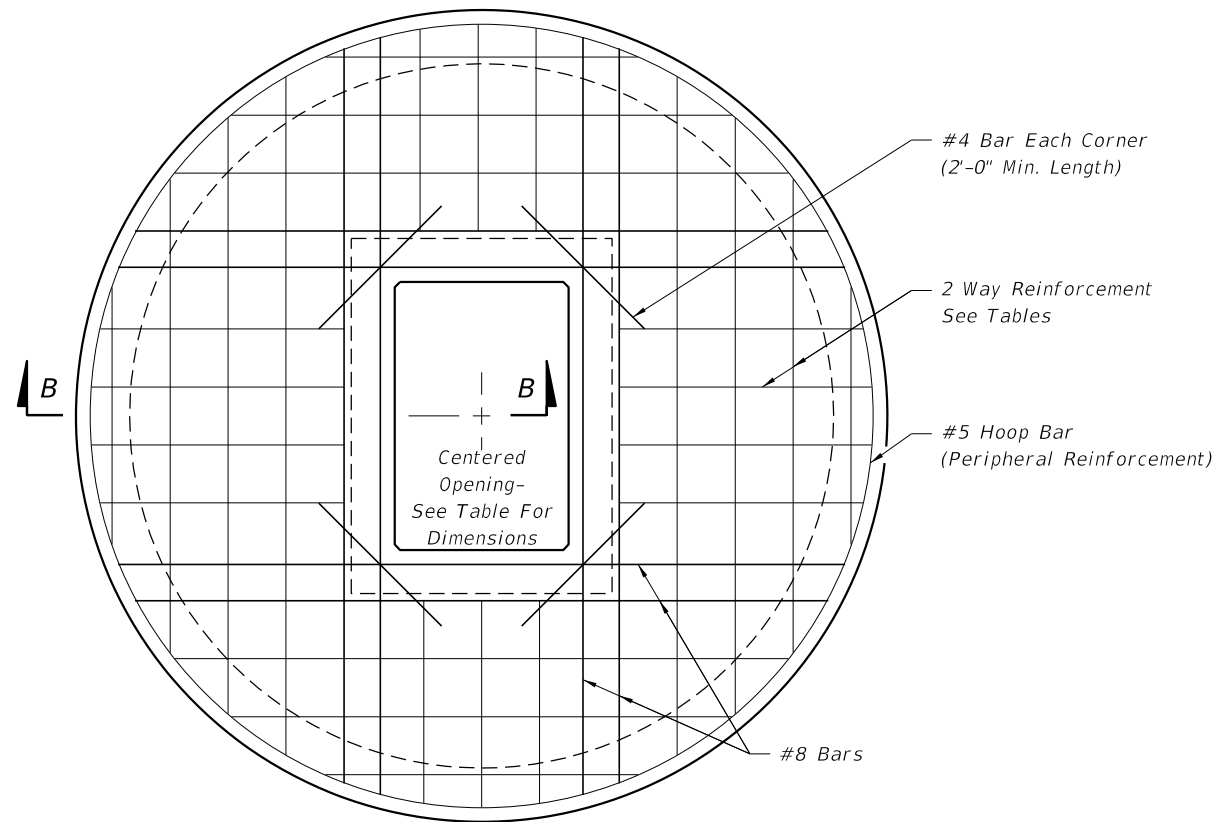
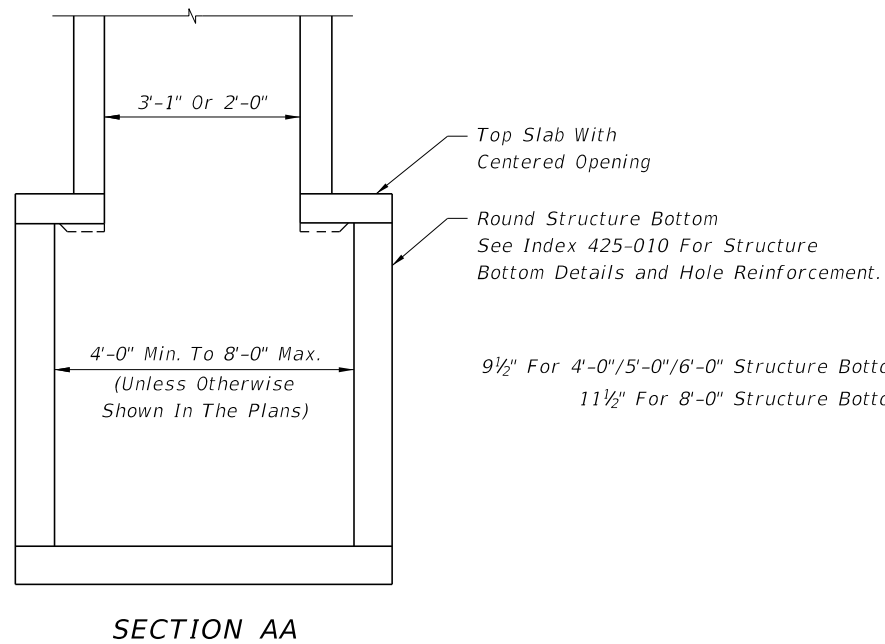
**DITCH BOTTOM INLET TYPE A**

INDEX  
425-050

SHEET  
1 of 2



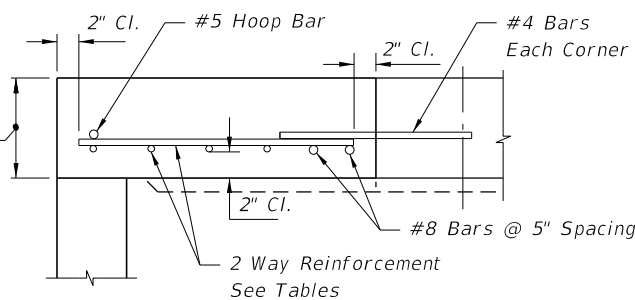
TOP SLAB OPENINGS	
DIAMETER	OPENING SIZE
	MIN.
4'-0" To 8'-0"	2'-0" x 3'-1"



TOP SLAB REINFORCING DIAGRAM

TOP SLAB REINFORCING SCHEDULE	
SCHEDULE	GRADE 60 (BAR) OR 65 KSI & 70 KSI (WIRE FABRIC) In. <sup>2</sup> /ft.
A	0.20
B	0.24
C	0.37
D	0.53
E	0.73
F	1.06
G	1.45

TOP SLAB WITH CENTERED OPENING		
SLAB DEPTH	SLAB THICKNESS	REINFORCING (2 WAYS) SCHEDULE
SIZE: 4'-0"		
≥0.5'-40'	9½"	C
SIZE: 5'-0"		
≥0.5'<30'	9½"	C
30'-40'	9½"	D
SIZE: 6'-0"		
0.5'<8'	9½"	B
8'<18'	9½"	C
18'<30'	9½"	D
30'<37'	9½"	E
37'-40'	9½"	G
SIZE: 8'-0"		
≥0.5'<9'	11½"	C
9'<15'	11½"	D
15'<23'	11½"	E
23'<33'	11½"	E
33'-40'	11½"	G



SECTION BB

ALT. A STRUCTURE BOTTOM FOR INLET TYPE A

9/18/2018 2:46:32 PM

LAST REVISION 11/01/17	DESCRIPTION:
---------------------------	--------------



FY 2019-20  
STANDARD PLANS

DITCH BOTTOM INLET TYPE A

INDEX  
425-050

SHEET  
2 of 2