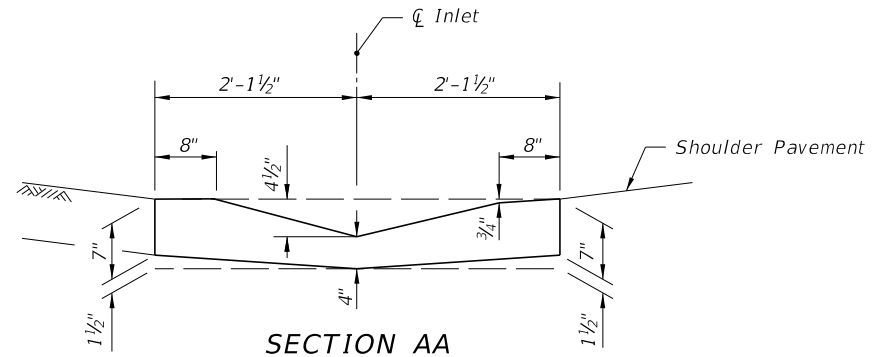
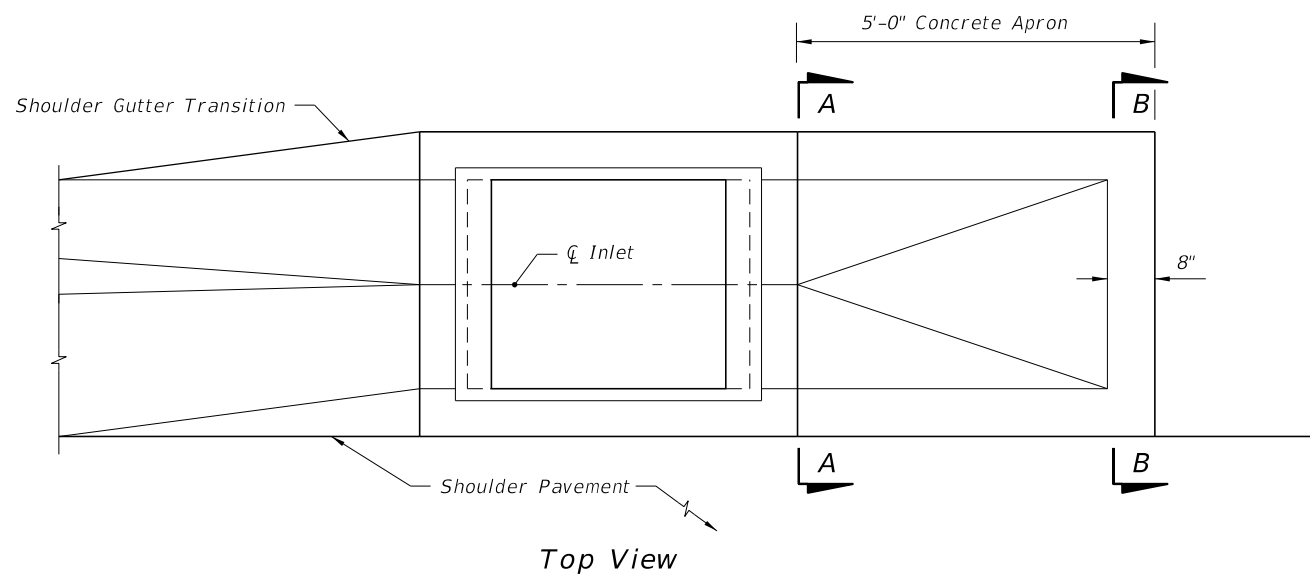


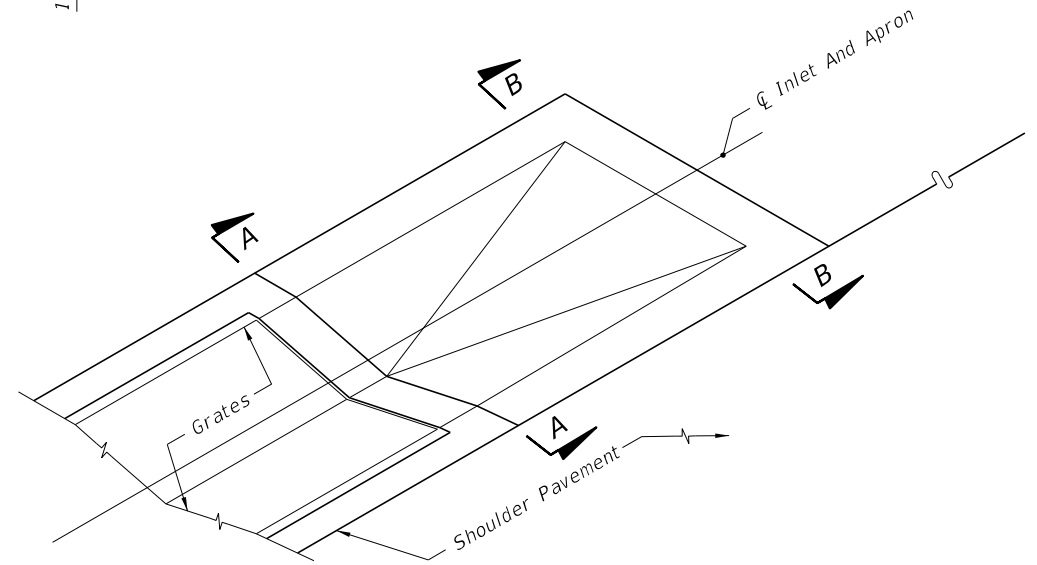
SECTION BB
(Enlarged)



SECTION AA
(Enlarged)




Top View

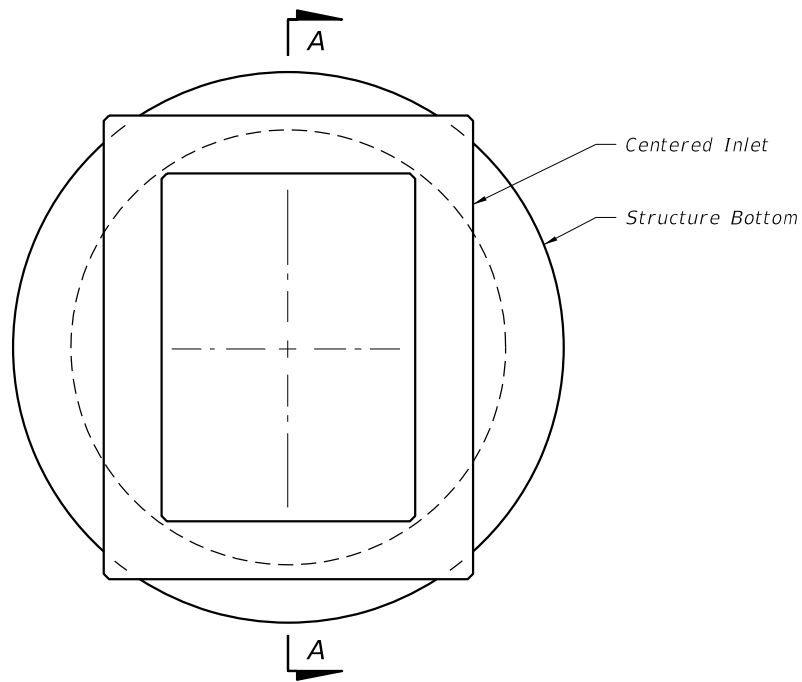


PICTORIAL VIEW

Apron To be Constructed At The Most Downstream Inlet In A Run Of Shoulder Gutter
CONCRETE APRON AT TERMINAL INLETS

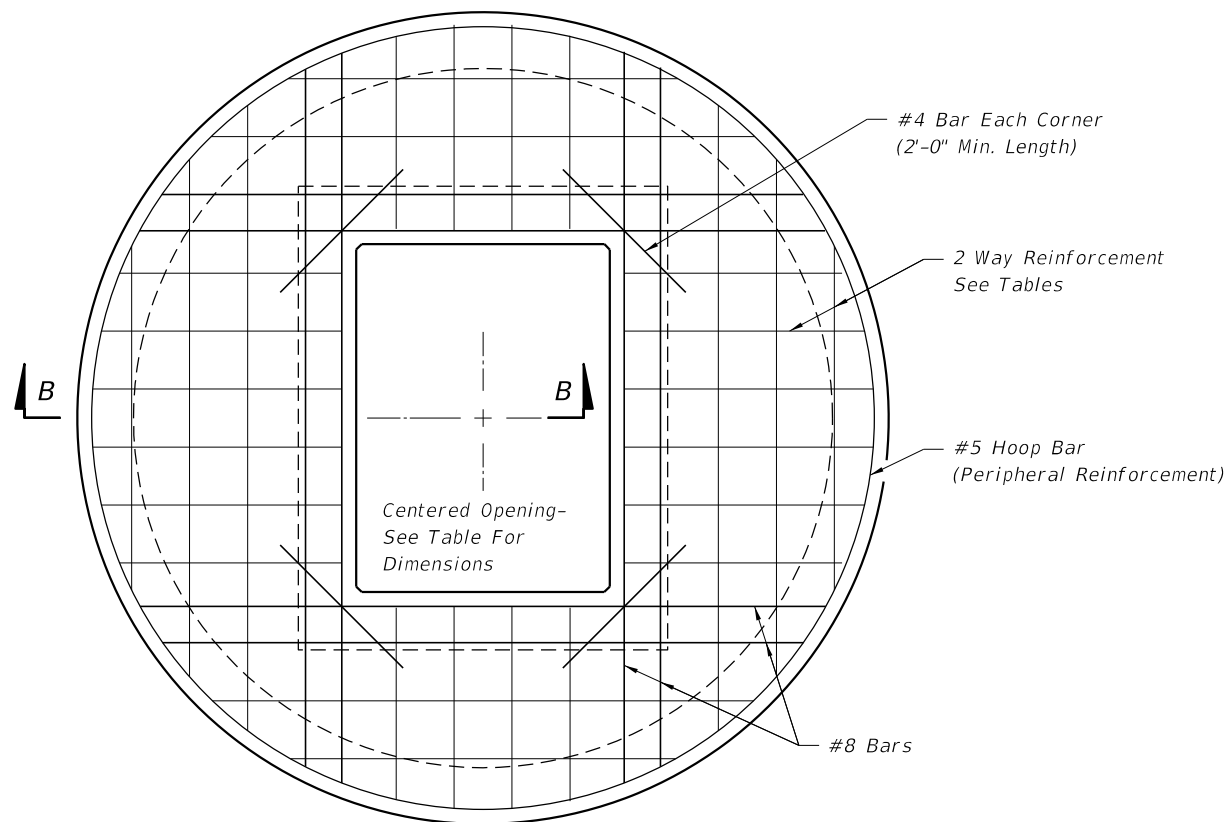
10/18/2018 10:51:18 AM

LAST REVISION 11/01/17	REVISION	DESCRIPTION:	 FY 2019-20 STANDARD PLANS	GUTTER INLET TYPE S	INDEX 425-040	SHEET 2 of 3
---------------------------	----------	--------------	---	---------------------	------------------	-----------------



TOP VIEW

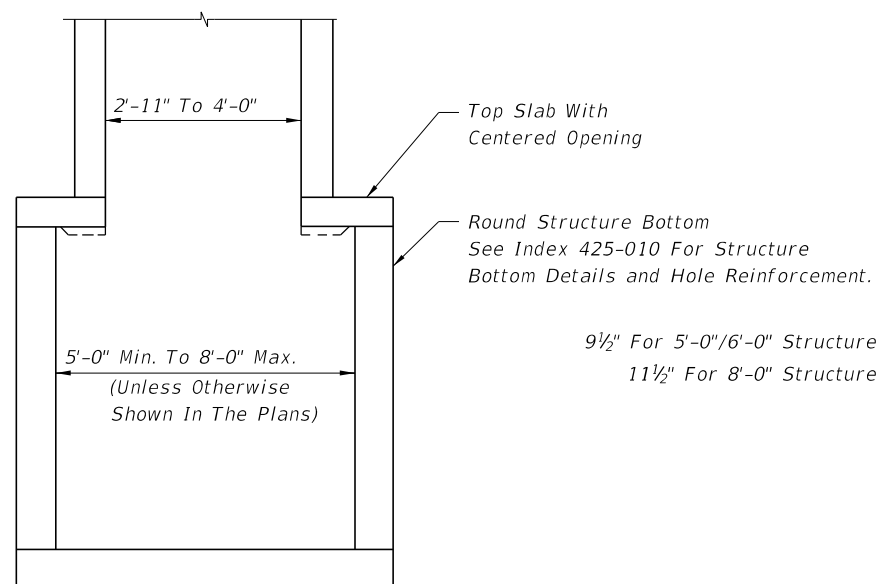
TOP SLAB OPENINGS		
DIAMETER	OPENING SIZE	
	MIN.	MAX.
5'-0" To 8'-0"	2'-11" x 4'-0"	3'-3" x 3'-10"



TOP SLAB REINFORCING DIAGRAM

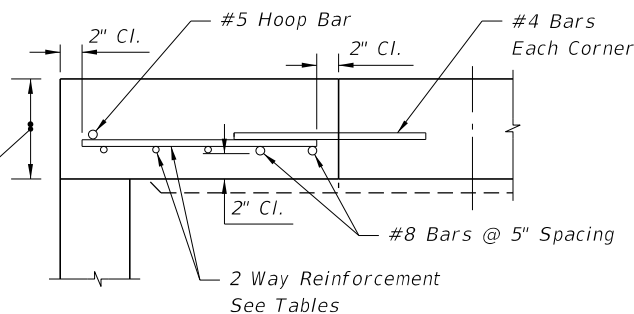
TOP SLAB REINFORCING SCHEDULE	
GRADE 60 (BAR) OR 65 KSI & 70 KSI (WIRE FABRIC)	
SCHEDULE	In ² /ft.
A	0.20
B	0.24
C	0.37
D	0.53
E	0.73
F	1.06
G	1.45

TOP SLAB WITH CENTERED OPENING		
SLAB DEPTH	SLAB THICKNESS	REINFORCING (2 WAYS) SCHEDULE
SIZE: 5'-0"		
≥0.5' < 30'	9½"	C
30' - 40'	9½"	D
SIZE: 6'-0"		
≥0.5' < 8'	9½"	B
8' < 18'	9½"	C
18' < 30'	9½"	D
30' < 37'	9½"	E
37' - 40'	9½"	G
SIZE: 8'-0"		
≥0.5' < 9'	11½"	C
9' < 15'	11½"	D
15' < 23'	11½"	E
23' < 33'	11½"	E
33' - 40'	11½"	G



SECTION AA

9½" For 5'-0"/6'-0" Structure Bottoms
11½" For 8'-0" Structure Bottoms



SECTION BB

ALT. A STRUCTURE BOTTOM FOR INLET TYPE S

10/18/2018 10:51:20 AM

LAST REVISION 11/01/17	DESCRIPTION:
---------------------------	--------------



FY 2019-20
STANDARD PLANS

GUTTER INLET TYPE S

INDEX
425-040

SHEET
3 of 3