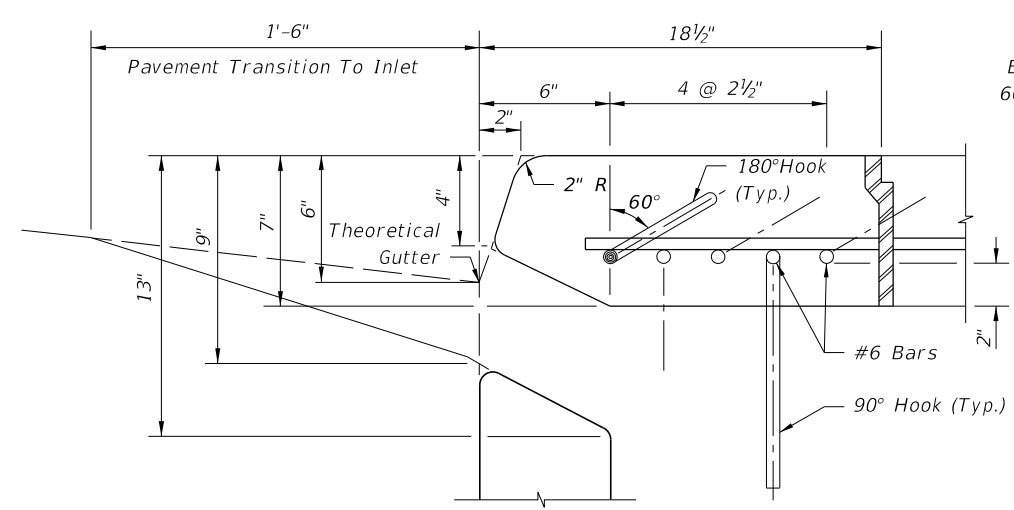
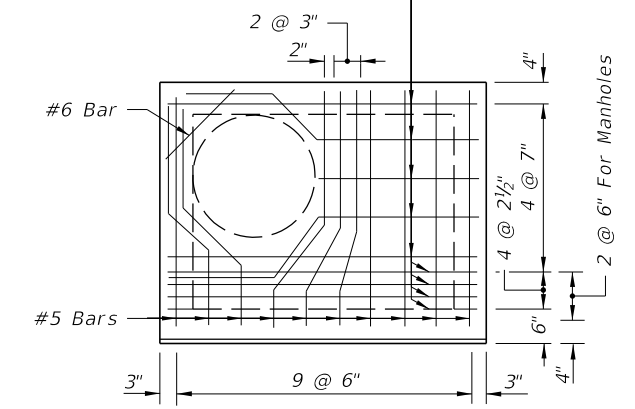


PLAN

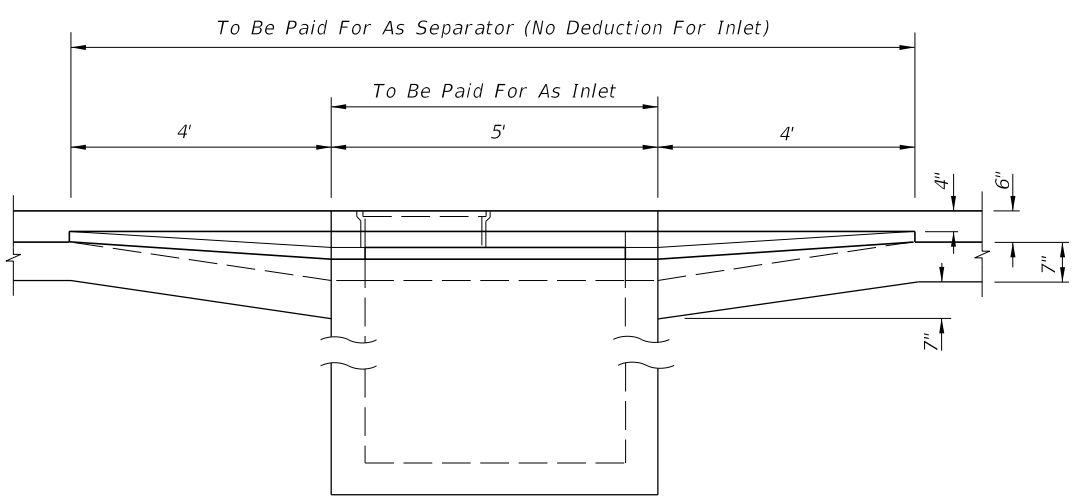


THROAT DETAIL (SECTION AA)

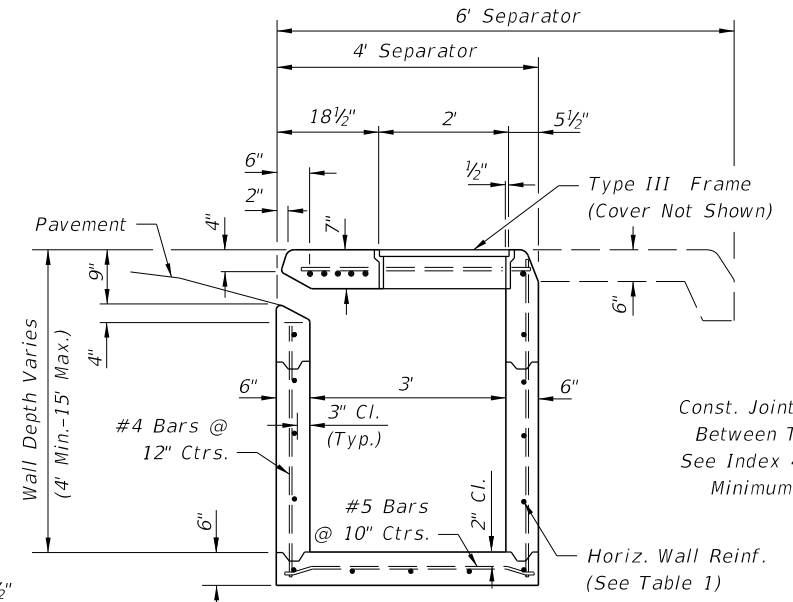
#6 Bars ACI Std. Hooks Required  
 Each End Of Straight Bars And Right  
 End Of Bent Bars. 180° Hooks, Canted  
 60°(+), On Odd Bars; 90° Hooks, Down,  
 On Even Bars Numbered From Throat  
 Side.



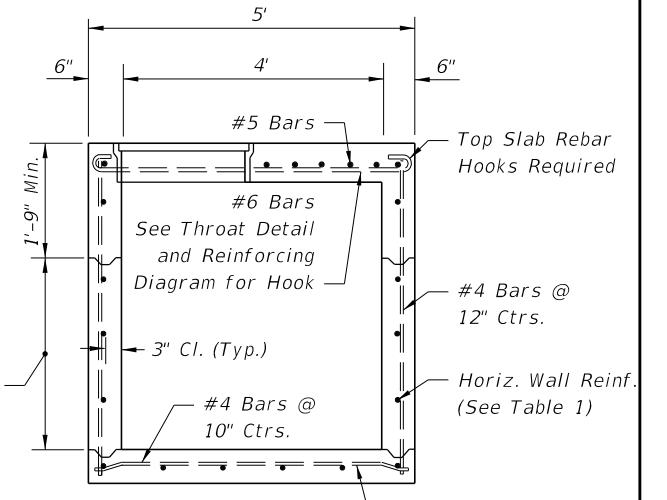
REINFORCING STEEL DIAGRAM  
 TOP SLAB OF INLET



SECTION CC



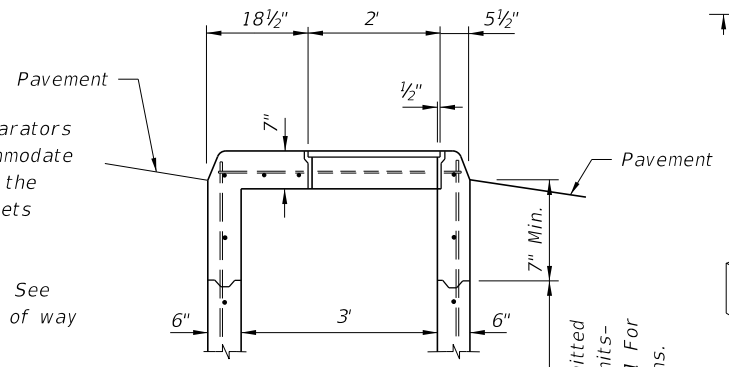
SECTION AA



SECTION BB

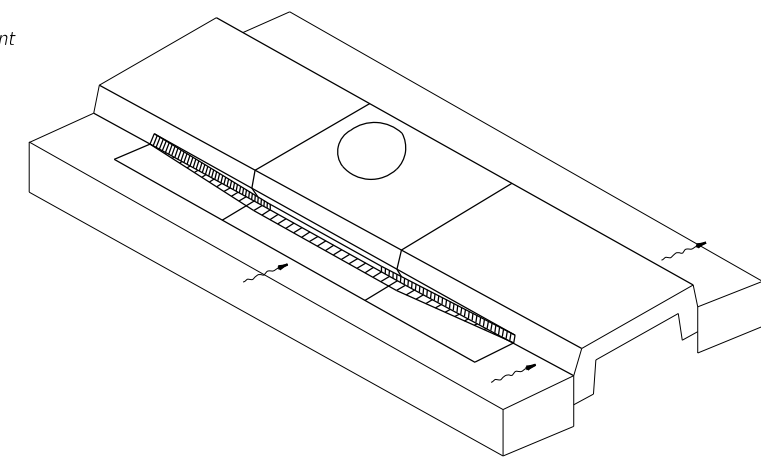
**GENERAL NOTES**

1. This inlet is to be used only in Traffic Separators Types IV and V; or, in separators constructed with Curbs Types D and F and sidewalk paving, which cannot accommodate Inlets Types 1, 2, 3, 4, 5 or 6. Use of this inlet on the through traffic side of the separator should be avoided in medians constructed with Curb Type D (Curb inlets Types 9 or 10 are recommended). Locate inlet outside of pedestrian way.
2. All reinforcing to be Grade 60 bars with 2" min. cover unless otherwise shown. See Index 425-001 for equivalent area of welded wire fabric. Cut or bend bars out of way of pipe when necessary. Bars to clear pipe by 1 1/2".
3. Recommended maximum pipe sizes are 24" longitudinal and 30" transverse. For larger pipe, inlets with Alt. B bottoms, Index 425-010 are recommended.
4. For supplemental details and notes see Index 425-001.
5. All dimensions are for both precast and cast-in-place inlets unless otherwise shown.
6. Inlet to be paid for under the contract unit price for Inlets (Curb) (Type 8), Each.



MODIFICATION WHEN USED  
 AS A MANHOLE

Const. Joints Permitted  
 Between These Limits-  
 See Index 425-001 For  
 Minimum Dimensions.



**HORIZONTAL WALL REINFORCING  
 SCHEDULE (TABLE 1)**

WALL DEPTH	SCHEDULE	AREA (in. <sup>2</sup> /ft.)	MAX. SPACING	
			BARS	WWF
0' -6'	A12	0.20	12"	8"
6' -10'	A6	0.20	6"	5"
10'-13'	A4	0.20	4"	3"
10'-15'	B5.5	0.24	5 1/2"	5"

9/18/2018 2:37:01 PM